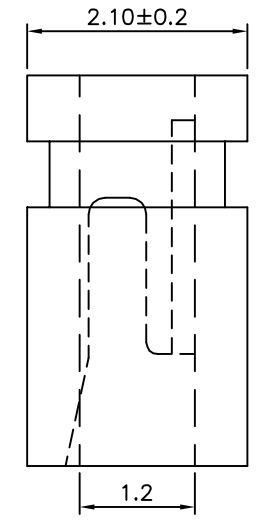
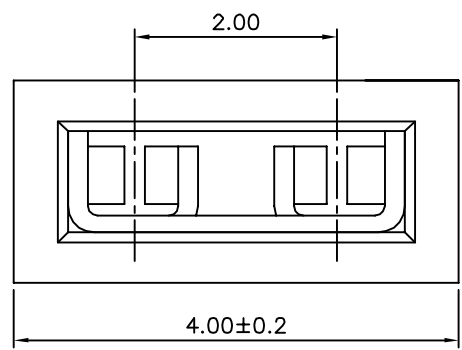


△△



△△



△△

△△ SPECIFICATION

Current Rating:3 Amp
 Voltage Rating:250V Max.
 Contact Resistance:20 Milliohms Max.
 Insulation Resistance:1000 Megaohms Min.
 Operation Temperature:-40°C~+105°C
 Contact:Brass,Selective Gold Plated Over Nickel
 Insulator:PBT+G.F.(UL94V-0),Black
 RoHS Compliant

△△ SJ B 3 - H
 (1) (2) (3) (4)

- (1) SJ:2.0 Mini Jumper
- (2) B:Open Type
- (3) 3:3.5mm Height
- (4) H:RoHS Compliant

AUK A MEMBER OF AUK GROUP
太聯事業股份有限公司
AUK CONTRACTORS CO., LTD.

CATEGORY		APPROVED BY		UNLESS OTHERWISE SPECIFIED TOLERANCES ARE 30~ ±0.30 20~30 ±0.3 10~20 ±0.3 5~10 ±0.3 0~5 ±0.2 ANG. ±1°
PART No. SJB3-H		EMILY		
DRAWING No. SJB3-H		CHECKED BY HZF		
		DRAWING BY YBL		
SCALE	NONE	REV.	A2	UNIT mm

NO.	REV.	REVISIONS	CHK	DATE
△	A2	Modify Data	HZF	10/19/2013
△	A1	Modify Data	HZF	04/09/2010
△	A0	NEW RELEASE	BECKY	10/27/2005