

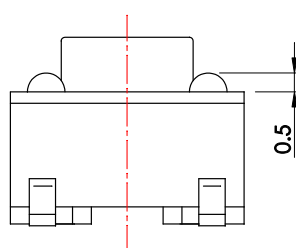
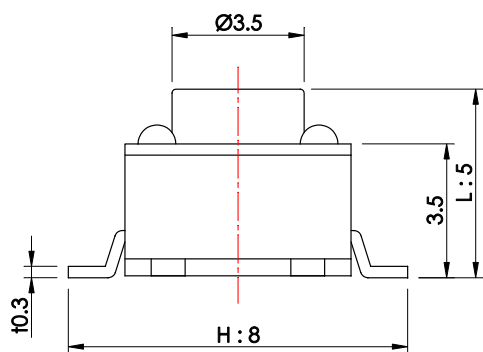
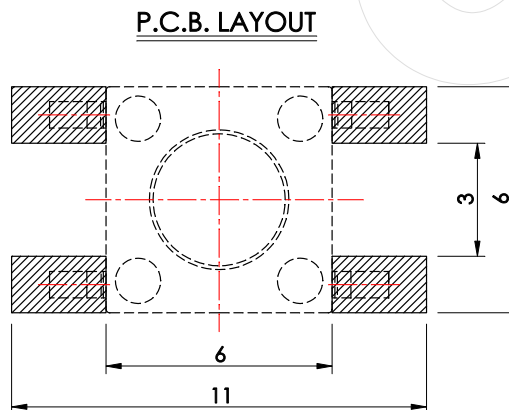
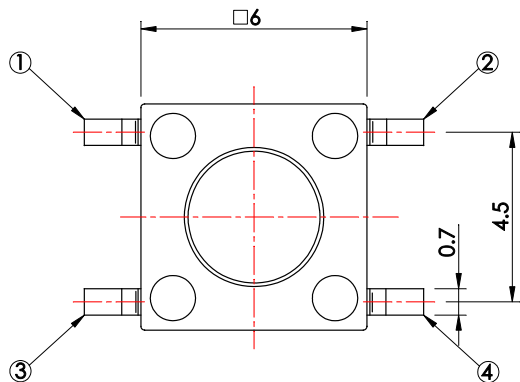
\*開關產品未經SWITRONIC同意，請勿拆解，否則無法負品質及安全責任。

Please do not decompose the switch without any permission from SWITRONIC, otherwise the quality and safety responsibility could not be guaranteed.

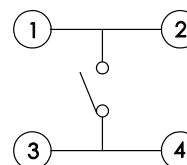
RoHS compliant

\*本圖面若與目錄之規格尺寸不符，以本圖面規格尺寸為主。

Below is our main specification if different from catalog.



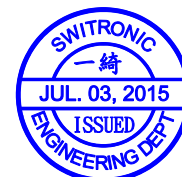
SCHEMATIC



TERMINAL LENGTH (H)	OPERATING FORCE	RoHS compliant
8 or 9	100, 130, 160, 250	

IT-1102WXXX-XXXG-G

MODEL NO.	L (mm)	STEM COLOR
□	4.3	□ Black
A	5	W White
		R Red



**SPECIFICATION**

Rating: 50mA 12V DC.

Circuit: SPST.

Function: OFF-(ON).

Travel: 0.25±0.1 mm.

Contact resistance: 100mΩ Max.

Operating force: 160±50g.

Minimum load: 10mA 3.3V DC.(reference only)

Life: 100,000 Cycles.

Soldering temperature: 250°C Max. for 3 sec.

Soldering time: 1 time only.

Note1: Unwashable, don't be immersed by epoxy and organic solvent.

Note2: Please check the actual size, do not scale the drawing page.

EV2.1	⚠		
EV2.0	無	新繪製	2015.07.03
版本 VER.	符號 SYMBOL	修改內容 ALTERATION	更新日期 DATE

產品 PRODUCT		Tact Switch		型號 MODEL NO.		IT-1102WA8-160G-G	
比例 SCALE	5 : 1	單位 UNIT	mm				
公差 TOLERANCE	±0.3mm						
製圖 DRAWN BY	核圖 CHECKED BY	主管 APPROVED BY					
Allen Liao	Chuck Young	Margaret Lee					
				一綺電子企業股份有限公司 總公司：110 台北市信義路四段415號13樓之3 13F-3 NO. 415, SEC. 4, HSIN YI ROAD, TAIPEI, TAIWAN TEL : 886-2-27290229 (Rep.) FAX : 886-2-27582086 URL : http://www.switronic.com.tw E-MAIL : switches@ms36.hinet.net			