

Data sheet

Commercial Art.No.: 92.257.1064.2

Cable assembly GST18i5KS-S 15H 10WS

GST18i5 extension cable male - free end, length 1.0 m, 5 pole, coding mains 250 V/ 400 V, 16 A, coding color white, strain relief color white, cable color white, cross section 1.5 mm², cable type H05Z1Z1-F, fire class: Eca



Commercial Art.No.	92.257.1064.2
EAN	4015573846302
Order Unit	1

Certificates / Approvals



Technical data

General

Rated current	16 A
Rated voltage	250 V / 400 V
Rated impulse voltage	4 kV
Pollution degree	2
Mechanical coding	Code 1
Lockable	self-locking (unlocking by tool)
Color of coding/ contact carrier	white
Marking of poles	3, N, PE, 2, 1
Color of housing inclusive strain relief	white

Model

Nominal cross section conductor	1.5 mm ²
Degree of protection (IP)	IP20
Wire strip length	9 mm
sheath strip length	35 mm
Preparation of conductor ends	ultrasonically compressed wire ends
Cable type	H05Z1Z1-F
Cable color	white
Cable diameter max.	10.1 mm
Version of cable	male - free end
Type of cord set	connection cable
Version cable end 1	free end

Version cable end 2	GST18i5 plug
---------------------	--------------

Material

Surface finish	Tin-plated
halogen free	yes
Continuous temperature of cable	70 °C
Insulation components continuous temperature	100 °C
Fire load	0.679 kWh
Fire class	Eca

Dimensions

Total length	1 m
--------------	-----

Classification

ECLASS 11	
ECLASS 8.1	27440604
ETIM 7.0	EC002587
ETIM 6.0	EC002587
ETIM 5.0	EC002587
ETIM 4.0	EC002587

Product compliance

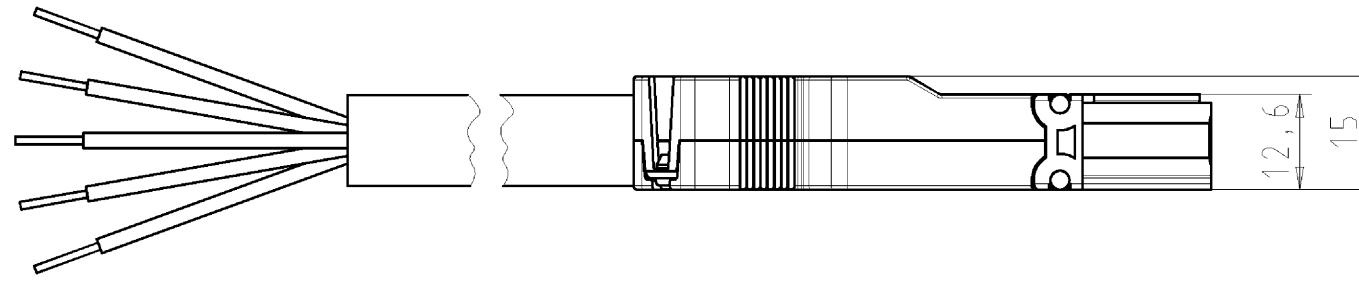
ROHS conformity status	Compliant/Exempted
ROHS exceptions	III-6(c)
REACH-SVHC conformity status	Duty-To-Declare
REACH-SVHC substances	Lead
REACH-SVHC CAS numbers	7439-92-1

Accessories

Commercial Art.No.:	Article-type description:	Description:
05.587.3156.0	Lock (G)ST18 WS	Locking device for cable to cable connection GST18i3-5, white
05.564.5353.0	cover cap GST18i3/4/5 SW	Cover piece 12 pole black for female parts GST18i3-6
05.564.5353.2	cover cap GST18i3/4/5 WS	Cover piece 12 pole white for female parts GST18i3-6
05.566.9253.0	cover cap GST18i5 BUCHSEN	Cover for female connectors GST18i5, black
05.587.3156.1	Lock (G)ST18 SW	Locking device for cable to cable connection GST18i3-5, black

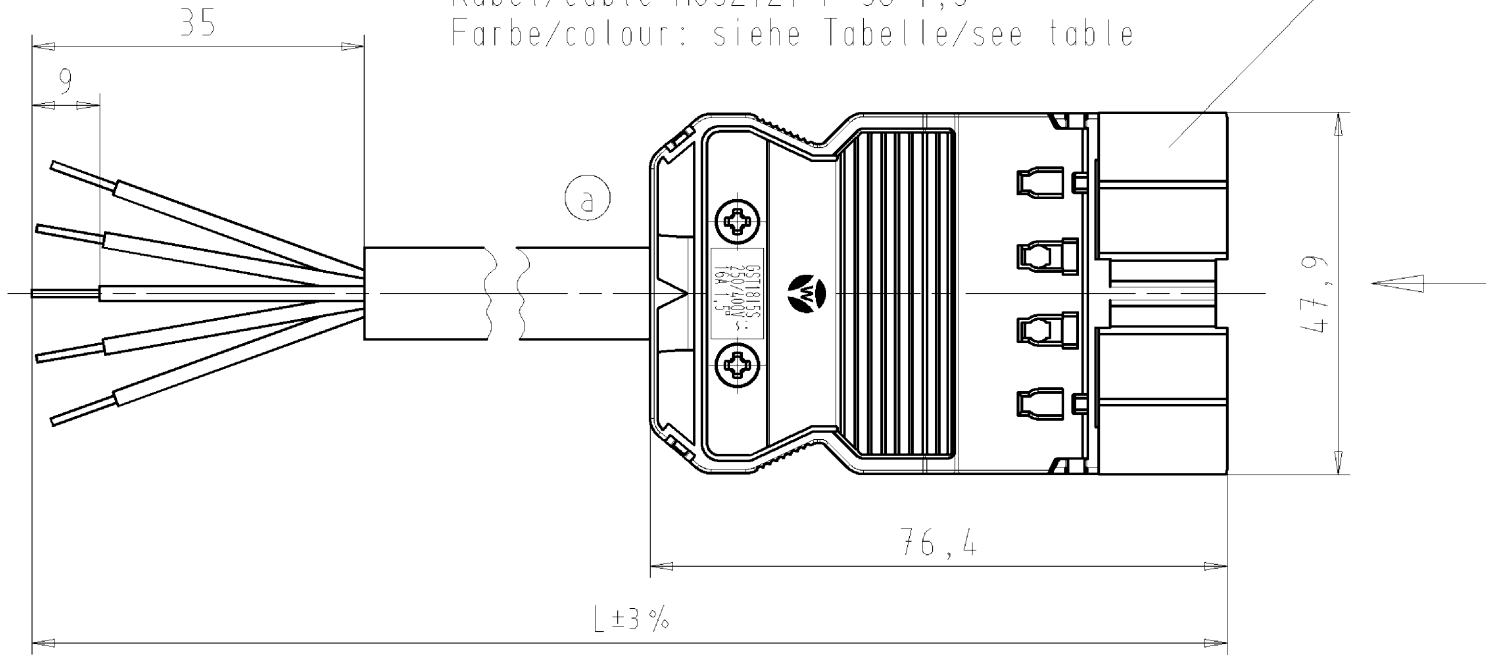
These dimensions will be especially checked at delivery
 Only inspection dimensions
 With /E marked dimensions are only valid for internal use

Diese Maße werden bei Abnahme besonders geprüft
 Ausschließlich Prüfmaße
 Mit /E gekennzeichnete Maße sind nur für interne Zwecke gültig



Steckerteil/male connector

Kabel/cable H05Z1Z1-F 5G 1,5
 Farbe/colour: siehe Tabelle/see table



Gesamtlänge / total length

Typ/type: GST1815KS-S 15H.. SW = schwarz/black
 WS = weiß/white

.F	Farbe colour	Codierung "Y" Stecker male	Kabelfarbe cable colour
.1	schwarz black	1 2 PE N 3 	schwarz black
.2	weiß white		weiß white

Teile-Nr. part-no.	L	Beispiel (Farbe: schwarz) example (colour: black)	Typ type
92.257.XX64.F	XX in dm-Schritten	92.257.1064.1 = 10dm/L= 1000mm	GST1815KS-S 15H 10SW
U2.257.XX64.F	XX in m-Schritten	U2.257.1264.1 = 12 m/L=12000mm	GST1815KS-S 15H X12SW

Tolerierung nach DIN 7167/Tolerance system acc. to DIN 7167.
 (This DIN-standard describes the envelope principle. According to the envelope principle the deviations of form and parallelism are limited by the size tolerances).

ja/yes Stoffverbots- und Deklarationsliste nach UU-TOM-05/03 ist einzuhalten.
 Conformity with Wieland document UU-TOM-05/03 (list of prohibited / declarable hazardous substances) to be declared!

Freitoleranz nach General tolerance	CAD - Zeichnung, keine manuellen Änderungen CAD - drawing, no manual modifications allowed	1. Verwendung: First Use:	Blatt: Sheet:
	Werkstoff/Material	2007 gezeichnet drawn 02.03. geprüft checked Normgepr. Stand. check	Name Dvetsch T.
	Maßstab/Scale	T Zeichnung Nr./Drawing No.	
	Vol. mm ³ Ofl./Surf. mm ²	92.257.0564.1 01K a	
	Ersatz für/Replacement for: -		
	Maße in mm/Dimensions are in mm		
a	01.02.2012/ Datum / Blatt Date / Sheet	PRE-ASSEMBLED CABLE KONFEKT_LEITUNG	
Index	Stecker/male-freies Ende/free end halogen-free Schraubanschluß/screw connection 250/400V 1,5qmm		
Änderung/Revision	wieland Elektrische Verbindungen		

Weitergabe sowie Vervielfältigung dieses Dokuments, Verwertung und Mitteilung seines Inhalts sind verboten, soweit nicht ausdrücklich gestattet.
 The reproduction, distribution and utilization of this document as well as the communication of its contents to others without express authorization is prohibited.

922570564101K_2 CADW2037.dwg 2012-02-02-02T08:25:13 1:000