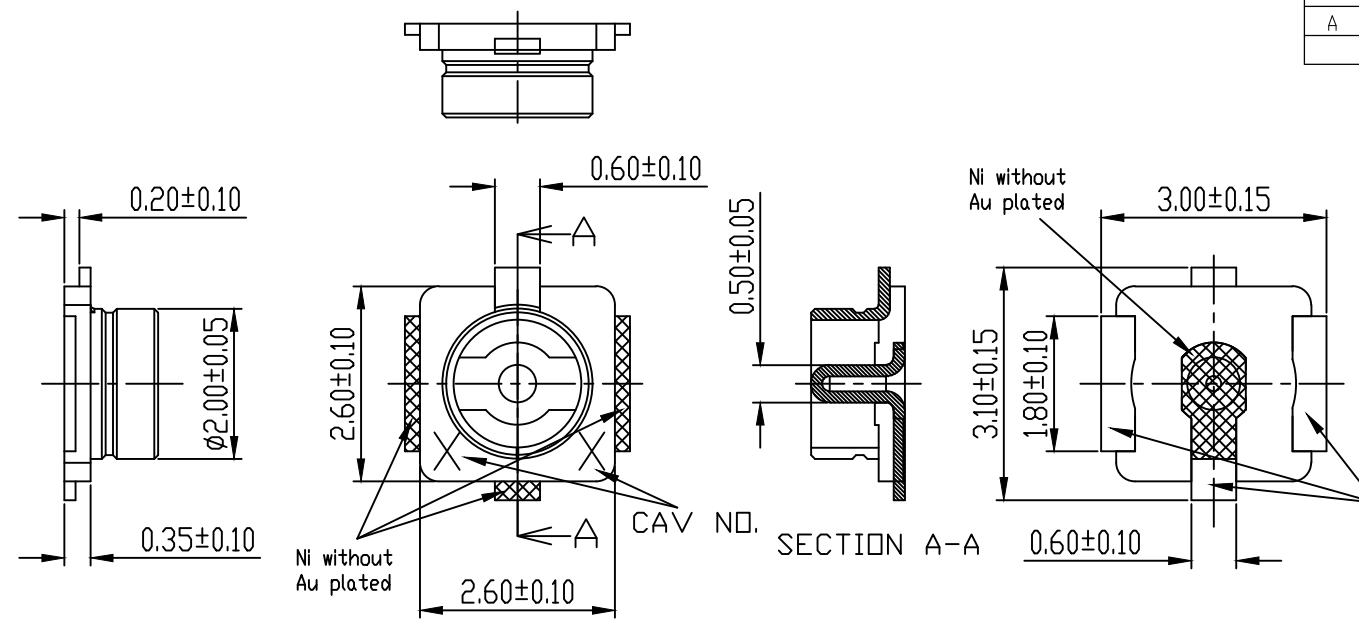
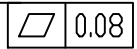
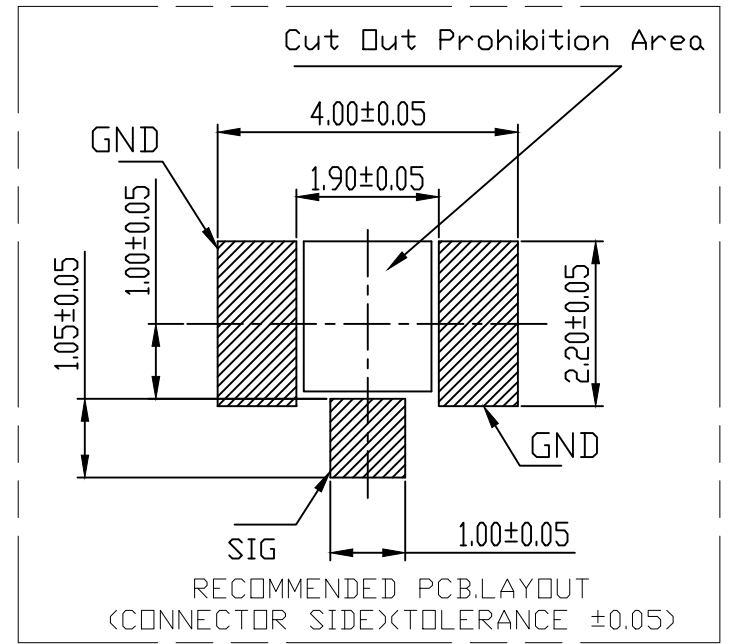
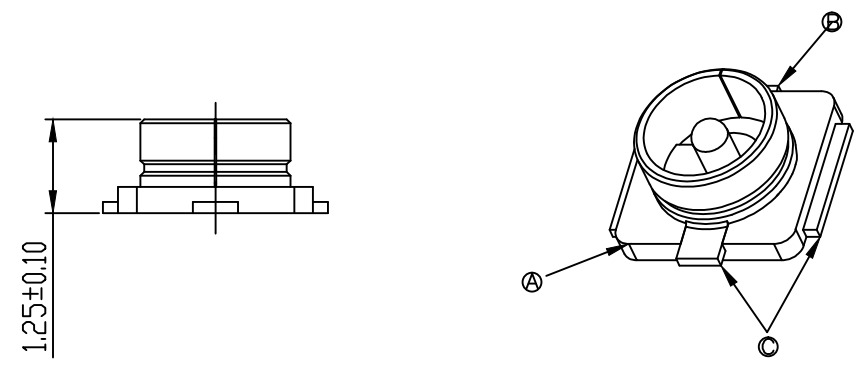


Rev.	ECN Number	Description	Date	Drawn	Checkd	Approved
A	ECN161274	NEW RELEASE	07/07'16	Teng		




- NOTES:
- 1.1 Rated Voltage 60V AC
  - 1.2 Frequency Range 0~6GHz
  - 1.3 Impedance 50Ω
  - 1.4 Operating Temperature -40°C~+90°C
  - 2.1 Voltage Standing Wave Ratio(VSWR) 1.3 max. at 0~6GHz
  - 2.2 Durability 30 cycles
  - 3.1 Packing tape & reel 5000Pcs/Reel (Φ330mm)

 0.08  
 coplanarity:  
 Before IR reflow 0.08 Max.  
 After IR reflow 0.10 Max.



ITEM	PART NAME	Q'TY	MATERIAL/FINISH
◎	SHELL	1	COPPER ALLOY/GOLD PLATED OVER Ni
⊙	CONTACT	1	COPPER ALLOY/GOLD PLATED OVER Ni
Ⓐ	HOUSING	1	LCP, UL94V-0/WHITE

ECT818000368

	GENERAL TOLERANCE		SCALE: 1:1	DRAWN Teng	DATE 07/07'16	DWG. NO. 600-0368-02	TITLE CUSTOMER DRAWING USS RF I RECEPTACLE, 3PIN COAXIAL CONNECTOR	REV. A
	.XX ±0.40	X.° ±2.0°	UNIT: mm	CHECK	DATE	PARTS NO.(INTENDED USE) ECT818000368		SHEET 1/1
	.X ±0.25	.X° ±1.0°	SIZE: A4	APPROVE	DATE			
	.XX ±0.15	.XX° ±0.5°						