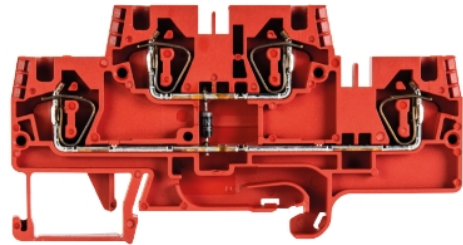


## Data sheet

Commercial Art.No.: 56.704.8255.5

Multi-tier terminal WKFN 4 E/35 GO

Duo Feed-through terminal with tension spring connection for mounting on TS 35, nominal cross section: 4 mm<sup>2</sup>, width: 6 mm, color: red



Commercial Art.No.	56.704.8255.5
EAN	4015573771512
Order Unit	100

Certificates / Approvals



## Technical data

### General

Nominal cross section	4 mm <sup>2</sup>
Color	Red
Number of levels	2
Number of clamp positions per level	2
Width/grid dimension	6 mm
Insulating housing	PA666
Inflammability class of insulation material acc. with UL94	V0
Mounting method	DIN rail (top hat rail) 35/7.5 mm
Terminal blocks for electrical installations	yes
Type of component	Diode

### Technical data

Rated current	1 A
Rated voltage	500 V
Pollution degree	3
Closing plate required	yes
Type of insulation material	Thermoplastic
Length	90.1 mm

### Connection Data

Connection type 1	spring clamp connection
Connection type 2	spring clamp connection
Minimum cross section solid	0.14 mm <sup>2</sup>
Maximum cross section solid	6 mm <sup>2</sup>
Minimum cross section fine stranded	0.14 mm <sup>2</sup>
Maximum cross section fine stranded	4 mm <sup>2</sup>
Wire strip length	11 mm

### Technical Data UL/CSA

Cross section UL	24-10 AWG
Current factory wiring	1 A
Current field wiring	1 A
Cross section CSA	24-10 AWG
Voltage CSA	300 V
Current CSA	32 A

#### Classification

ECLASS 11	
ECLASS 8.1	27141127
ETIM 7.0	EC000903
ETIM 6.0	EC000903
ETIM 5.0	EC000903
ETIM 4.0	EC000903
ETIM 3.0	EC000903

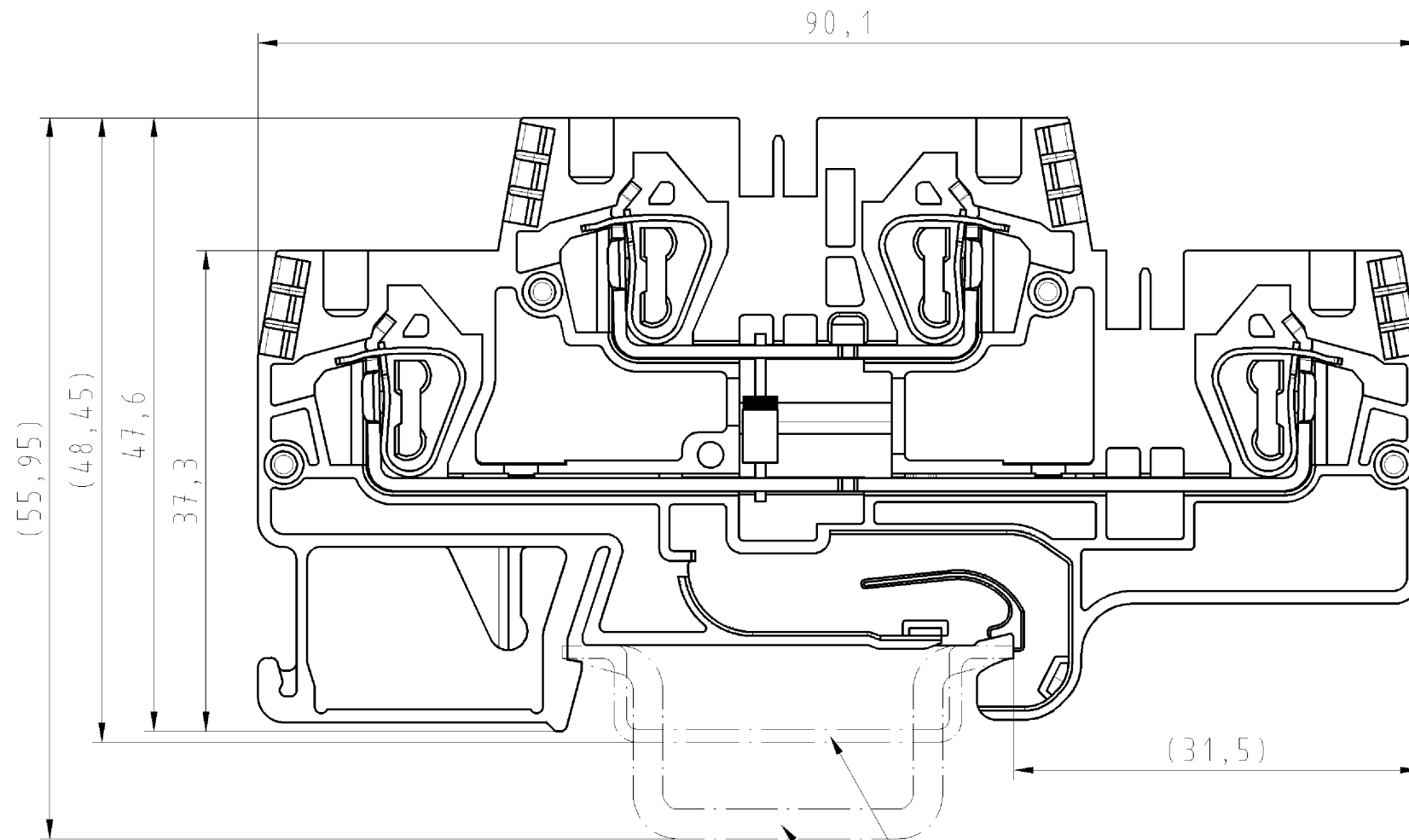
#### Product compliance

ROHS conformity status	Compliant
REACH-SVHC conformity status	Compliant

#### Accessories

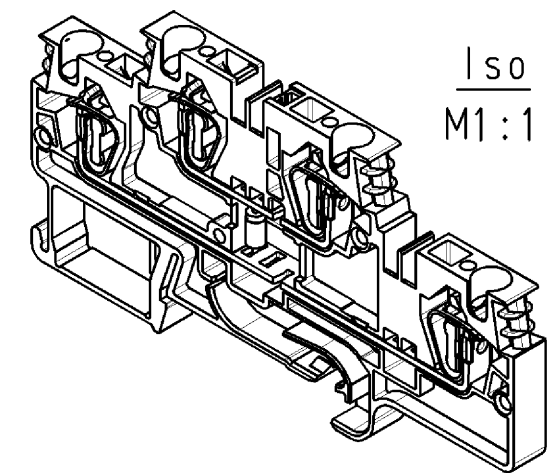
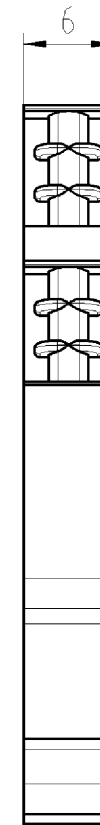
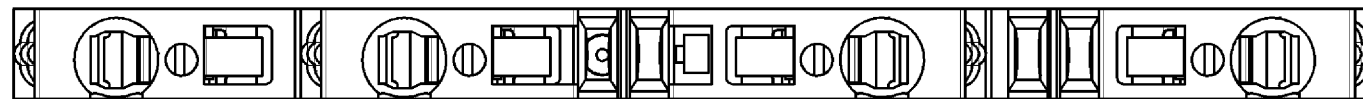
Commercial Art.No.:	Article-type description:	Description:
Z7.261.1227.0	Jumper bar IVB WKF 4 - 2	Cross connector, insulated for DIN rail terminal blocks type WKF..., 2 - pole
Z7.261.1327.0	Jumper bar IVB WKF 4 - 3	Cross connector, insulated for DIN rail terminal blocks type WKF..., 3 - pole
Z7.261.1427.0	Jumper bar IVB WKF 4 - 4	Cross connector, insulated for DIN rail terminal blocks type WKF..., 4 - pole
Z7.261.1527.0	Jumper bar IVB WKF 4 - 5	Cross connector, insulated for DIN rail terminal blocks type WKF..., 5 - pole
Z7.261.1627.0	Jumper bar IVB WKF 4 - 6	Cross connector, insulated for DIN rail terminal blocks type WKF..., 6 - pole
Z7.261.1727.0	Jumper bar IVB WKF 4 - 7	Cross connector, insulated for DIN rail terminal blocks type WKF..., 7 - pole
Z7.261.1827.0	Jumper bar IVB WKF 4 - 8	Cross connector, insulated for DIN rail terminal blocks type WKF..., 8 - pole
Z7.261.1927.0	Jumper bar IVB WKF 4 - 9	Cross connector, insulated for DIN rail terminal blocks type WKF..., 9 - pole
Z7.261.2027.0	Jumper bar IVB WKF 4 - 10	Cross connector, insulated for DIN rail terminal blocks type WKF..., 10 - pole
98.300.0000.0	Mounting rail TS 35x7,5 UNPERF - l:2000mm	Mounting rail TS 35, unslotted, size 7,5 mm, length 2 m, material steel. galv. zinc-plated and dichromated
98.300.1000.0	Mounting rail TS 35x7,5 PERF 15mm - l:2000mm	Mounting rail TS 35, slotted, size 7,5 mm, length 2 m, material steel. galv. zinc-plated and dichromated
98.300.1900.0	Mounting rail TS 35x7,5 PERF 25mm - l:2000mm	Mounting rail TS 35, slotted, size 7,5 mm, length 2 m, material steel. galv. zinc-plated and dichromated
98.360.0000.0	Mounting rail TS 35x15-2,3 UNPERF - l:2000mm	Mounting rail TS 35, unslotted, size 15 mm, length 2 m, material steel. galv. zinc-plated and dichromated
98.360.0004.0	Mounting rail TS 35x15-2,3 UNPERF FZN - l:2000mm	Mounting rail TS 35, unslotted, size 15 mm, length 2 m, material steel, hot galvanized

98.370.0000.0	Mounting rail TS 35x15 UNPERF - l:2000mm	Mounting rail TS 35, unslotted, size 15 mm, length 2 m, material steel. galv. zinc-plated and dichromated
98.370.1000.0	Mounting rail TS 35x15 PERF 15mm - l:2000mm	Mounting rail TS 35, slotted, size 15 mm, length 2 m, material steel. galv. zinc-plated and dichromated
98.380.0000.0	Mounting rail TS 35x15-2,3 UNPERF CU - l:2000mm	Mounting rail TS 35, unslotted, size 15 mm, length 2 m, material E copper
07.312.9655.0	End plate APFN 4 E/35	End plate for DIN rail terminal blocks type WKFN 4 E..., color: grey
07.312.9655.7	End plate APFN 4 E/35 GRUEN	End plate for DIN rail terminal blocks type WKFN 4 E..., color: green
07.312.9755.0	Partition TWFN 4 E/35	Partition for DIN rail terminal blocks type WKFN 4 E..., color: grey
98.300.1800.0	Mounting rail TS 35x7,5 PERF 18mm - l:2000mm	Mounting rail TS 35, slotted, size 7,5 mm, length 2 m, material steel. galv. zinc-plated and dichromated



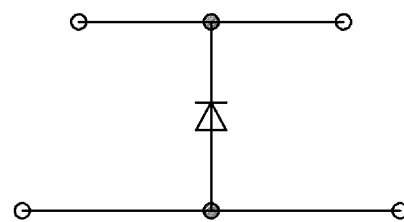
Hutschiene EN60715-35x7,5  
mounting rail EN60715-35x7,5

Hutschiene EN60715-35x15  
mounting rail EN60715-35x15



Weitere Daten siehe Katalog  
further data see catalog

Schaltbild  
circuit diagram



Freitoleranz nach		CAD - Zeichnung, keine manuellen Änderungen			1. Verwendung: -		Bl.: 1 von 1		
	Maßstab	Werkstoff und Oberfläche:		2004	Tag	Name		Zeichnung Nr. <b>56.704.8255.5 01K</b>	Index
	<b>2:1</b>	Farbe: rot colour: red		Entworfen	15.03.	Bauer F.			
	Vol.	mm <sup>3</sup>	Oft.	mm <sup>2</sup>	Normgepr.	-	-	Ersatz für: -	
Buchstabe		Datum / Blatt		Änderung		Benennung		ETAGENKLEMME	
				<b>wieland</b> Elektrische Verbindungen		<b>Typ</b> WKFN4 E/35 60		fosis Pro Federkraftausführung 4mm <sup>2</sup> double deck terminal with spring clamp connection	

- Diese Maße werden bei Abnahme besonders geprüft
- Ausschließlich Prüfmaße
- MTL/NE-Rekennzeichente Maße sind nur für interne Zwecke gültig

Weitergabe sowie Vervielfältigung dieses Dokuments, Verwertung und Mitteilung seines Inhalts sind verboten, soweit nicht ausdrücklich gestattet. The reproduction, distribution and utilization of this document as well as the communication of its contents to others without express authorization is prohibited.

1  
2  
3  
4  
5  
6  
7  
8  
9  
10  
11  
12  
13  
14  
15  
16  
17  
18  
19  
20  
M1  
M2  
M3  
L  
G  
1  
1.1  
2.1  
1.1  
56704825501K\_4\_CADW20\_Bauer 2004-03-15T14:42:42 1.000