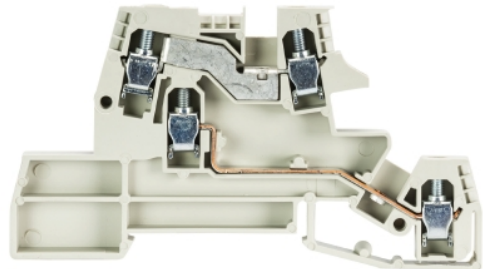


Data sheet

Commercial Art.No.: 56.404.9755.0

Installation terminal WKI 4 D-D /V0

Installation rail terminal blocks with Screw connection for mounting on TS 35, nominal cross section: 4 mm², width: 6 mm



Commercial Art.No.	56.404.9755.0
EAN	4015573501171
Order Unit	50

Certificates / Approvals



Technical data

General

Nominal cross section	4 mm ²
Basic color	Grey
Number of levels	2
Number of clamp positions per level	2
Width/grid dimension	6 mm
Insulating housing	PA666
Inflammability class of insulation material acc. with UL94	V0
Mounting method	DIN rail (top hat rail) 35/7.5 mm
Terminal blocks for electrical installations	yes

Technical data

Rated current	26 A
Rated voltage	400 V
Rated impulse voltage	6 kV
Pollution degree	3
Closing plate required	yes
Type of insulation material	Thermoplastic
Length	90 mm

Connection Data

Connection type 1	screw connection
Connection type 2	screw connection
Minimum cross section solid	0.5 mm ²
Maximum cross section solid	6 mm ²
Minimum cross section fine stranded	0.5 mm ²
Maximum cross section fine stranded	4 mm ²
Wire strip length	7 mm

Torque conductor mounting	0.5 Nm
---------------------------	--------

Technical Data UL/CSA

Cross section UL	22-10 AWG
Voltage UL	300 V
Current factory wiring	24 A
Current field wiring	24 A
Cross section CSA	22-10 AWG
Voltage CSA	300 V
Current CSA	25 A

Note

N-function	No
------------	----

Classification

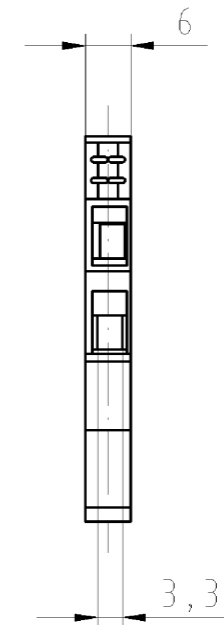
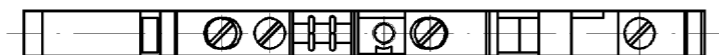
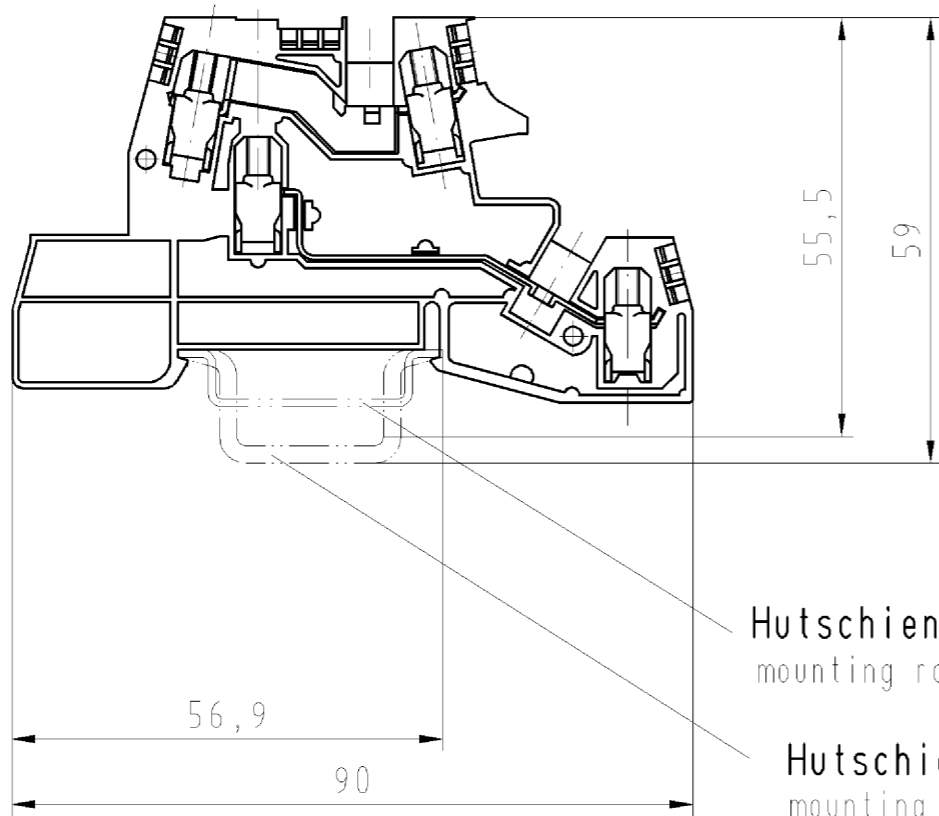
ECLASS 11	
ECLASS 8.1	27141125
ETIM 7.0	EC001329
ETIM 6.0	EC001329
ETIM 5.0	EC001329
ETIM 4.0	EC001329
ETIM 3.0	EC001329

Accessories

Commercial Art.No.:	Article-type description:	Description:
Z7.211.0227.0	Jumper bar 9703 / 6- 2	Cross connector for DIN rail terminal blocks type 9700 A ..., 2 -pole
Z7.211.0327.0	Jumper bar 9703 / 6- 3	Cross connector for DIN rail terminal blocks type 9700 A ..., 3 -pole
Z7.211.0427.0	Jumper bar 9703 / 6- 4	Cross connector for DIN rail terminal blocks type 9700 A ..., 4 -pole
Z7.211.0627.0	Jumper bar 9703 / 6- 6	Cross connector for DIN rail terminal blocks type 9700 A ..., 6 -pole
Z7.271.5227.0	Insulated jumper bar IVB WKI 4 -12	Cross connector, insulated for DIN rail terminal blocks type WK ..., 12 -pole
98.300.0000.0	Mounting rail TS 35x7,5 UNPERF - l:2000mm	Mounting rail TS 35, unslotted, size 7,5 mm, length 2 m, material steel. galv. zinc-plated and dichromated
98.300.1000.0	Mounting rail TS 35x7,5 PERF 15mm - l:2000mm	Mounting rail TS 35, slotted, size 7,5 mm, length 2 m, material steel. galv. zinc-plated and dichromated
98.300.1900.0	Mounting rail TS 35x7,5 PERF 25mm - l:2000mm	Mounting rail TS 35, slotted, size 7,5 mm, length 2 m, material steel. galv. zinc-plated and dichromated
98.360.0000.0	Mounting rail TS 35x15-2,3 UNPERF - l:2000mm	Mounting rail TS 35, unslotted, size 15 mm, length 2 m, material steel. galv. zinc-plated and dichromated
98.360.0004.0	Mounting rail TS 35x15-2,3 UNPERF FZN - l:2000mm	Mounting rail TS 35, unslotted, size 15 mm, length 2 m, material steel, hot galvanized
98.370.0000.0	Mounting rail TS 35x15 UNPERF - l:2000mm	Mounting rail TS 35, unslotted, size 15 mm, length 2 m, material steel. galv. zinc-plated and dichromated
98.370.1000.0	Mounting rail TS 35x15 PERF 15mm - l:2000mm	Mounting rail TS 35, slotted, size 15 mm, length 2 m, material steel. galv. zinc-plated and dichromated
98.380.0000.0	Mounting rail TS 35x15-2,3 UNPERF CU - l:2000mm	Mounting rail TS 35, unslotted, size 15 mm, length 2 m, material E copper
07.311.6555.0	End plate API 4/2/V0	End plate for DIN rail terminal blocks type WKI 4/2..., color: grey
07.311.6955.0	Partition TWI 4/V0	Partition for DIN rail terminal blocks type WKI 4..., color: grey

98.300.1800.0	Mounting rail TS 35x7,5 PERF 18mm - l:2000mm	Mounting rail TS 35, slotted, size 7,5 mm, length 2 m, material steel. galv. zinc-plated and dichromated
---------------	--	--

Diese Maße werden bei Abnahme besonders geprüft
 Ausschließlich Prüfmaße
 Mit AE gekennzeichnete Maße sind nur für interne Zwecke gültig



Weitere Daten siehe Katalog
further data see catalog

Freitoleranz nach		CAD - Zeichnung, keine manuellen Änderungen			1. Verwendung: -		Bl.: 1 von 1			
	/	Maßstab	Werkstoff und Oberfläche:		2003	Tag	Name	Zeichnung Nr. 56.404.9755.0 01K	Index	
	/				1:1	Entworfen	08.05.			Schmitt J.
	/					Geprüft	-			-
	/	Vol.	mm ³	Ofl.	mm ²	Normgepr.	-	Ersatz für: -		
	/	wieland Elektrische Verbindungen			WK1 4 D-D		Benennung INSTALLATIONSKLEMME installation terminal			
Buchstabe	Datum / Blatt									
Änderung										

Weitergabe sowie Vervielfältigung dieses Dokuments, Verwertung und Mitteilung
 seines Inhalts sind verboten, soweit nicht ausdrücklich gestattet.
 The reproduction, distribution and utilization of this document as well as the
 communication of its contents to others without express authorization is prohibited.

1
2
3
4
5
6
7
8
9
10
11
12
13
14
15
16
17
18
19
20
M1
M2
M3
L
G
1
1.1
2.1
1.1