

## Data sheet

Commercial Art.No.: 25.336.3253.0

PCB pin header 8113 S E / 2 W OB

PCB pin header, connection method depends on used socket part , 2 poles, pitch: 5 mm, type of packing: carton, color: grey



Commercial Art.No.	25.336.3253.0
EAN	4015573188587
Order Unit	100

Certificates / Approvals



## Technical data

### General

Modular spacing	5 mm
Soldering process	Wave soldering
Packaging	Carton
Number of poles	2
Number of levels	2
Marking	No
Fastening	None
Mating direction towards (circuit) board	180°

### Technical data

Rated current	10 A
Overvoltage Category I	1000 V
Overvoltage Category II	400 V
Overvoltage Category III	250 V
Rated impulse voltage	4 kV

### Technical Data UL/CSA

Voltage UL	300 V
Current field wiring	15 A
Current factory wiring	15 A
Voltage CSA	300 V

Current CSA	10 A
-------------	------

#### Other

Type of insulation material	Thermoplastic
Color	Grey
Height	23.3 mm
Length	12.5 mm
Depth	22 mm
Material contact base	CuZn
Material contact surface	Sn

#### Classification

ECLASS 11	
ECLASS 8.1	27440402
ETIM 7.0	EC002637
ETIM 6.0	EC002637
ETIM 5.0	EC002637
ETIM 4.0	EC002637

#### Product compliance

ROHS conformity status	Compliant
REACH-SVHC conformity status	Compliant

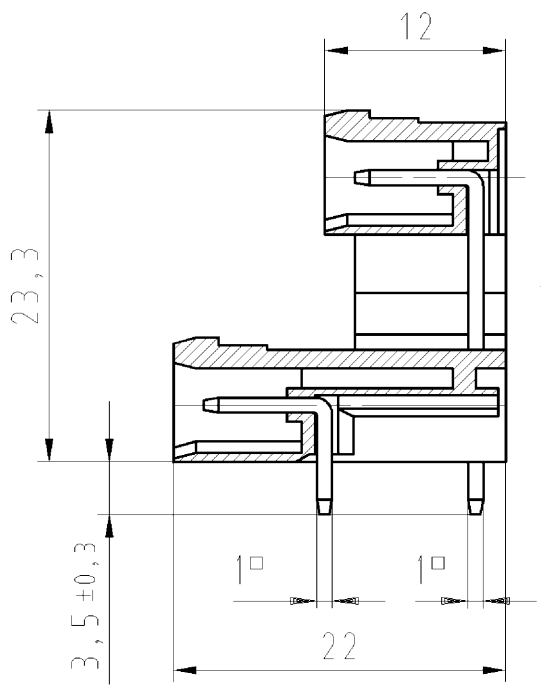
#### Fits with

Commercial Art.No.:	Article-type description:	Description:
25.220.3253.0	PCB connector 8113 B / 2 TOP OB	PCB female connector with front/top screw connection, 2 poles, max. cross section: 2.5 mm <sup>2</sup> , pitch: 5 mm, type of packing: carton, color: grey
25.220.0253.0	PCB connector 8113 B / 2 TOP	PCB female connector with front/top screw connection, 2 poles, printed version, max. cross section: 2.5 mm <sup>2</sup> , pitch: 5 mm, type of packing: carton, color: grey
01.060.3253.0	PCB connector 8113 BK / 2 OB	PCB female connector with Crimp connection, 2 poles, max. cross section: 2.5 mm <sup>2</sup> , pitch: 5 mm, type of packing: carton, color: grey
01.060.0253.0	PCB connector 8113 BK / 2	PCB female connector with Crimp connection, 2 poles, printed version, max. cross section: 2.5 mm <sup>2</sup> , pitch: 5 mm, type of packing: carton, color: grey
25.320.3253.0	PCB connector 8113 B / 2 OB	PCB female connector with screw connection with rising cage clamp system, 2 poles, max. cross section: 2.5 mm <sup>2</sup> , pitch: 5 mm, type of packing: carton, color: grey
25.320.0253.0	PCB connector 8113 B / 2	PCB female connector with screw connection with rising cage clamp system, 2 poles, printed version, max. cross section: 2.5 mm <sup>2</sup> , pitch: 5 mm, type of packing: carton, color: grey
25.325.3253.0	PCB connector 8113 B / 2 VR OB	PCB female connector with screw connection with rising cage clamp system, 2 poles, max. cross section: 2.5 mm <sup>2</sup> , pitch: 5 mm, type of packing: carton, color: grey
25.325.0253.0	PCB connector 8113 B / 2 VR	PCB female connector with screw connection with rising cage clamp system, 2 poles, printed version, max. cross section: 2.5 mm <sup>2</sup> , pitch: 5 mm, type of packing: carton, color: grey
25.326.3253.0	PCB connector 8113 B / 2 VL OB	PCB female connector with screw connection with rising cage clamp system, 2 poles, max. cross section: 2.5 mm <sup>2</sup> , pitch: 5 mm, type of packing: carton, color: grey

25.326.0253.0	PCB connector 8113 B / 2 VL	PCB female connector with screw connection with rising cage clamp system, 2 poles, printed version, max. cross section: 2.5 mm <sup>2</sup> , pitch: 5 mm, type of packing: carton, color: grey
25.820.3253.0	PCB connector 8113 BFK / 2 TOP OB	PCB female connector with tension spring connection, 2 poles, max. cross section: 2.5 mm <sup>2</sup> , pitch: 5 mm, type of packing: carton, color: grey
25.820.0253.0	PCB connector 8113 BFK / 2 TOP	PCB female connector with tension spring connection, 2 poles, printed version, max. cross section: 2.5 mm <sup>2</sup> , pitch: 5 mm, type of packing: carton, color: grey
25.399.9853.0	PCB connector 8113 BSK / 2 0,75 OB	PCB female connector with screw connection with rising cage clamp system, 2 poles, max. cross section: 2.5 mm <sup>2</sup> , pitch: 5 mm, type of packing: carton, color: grey

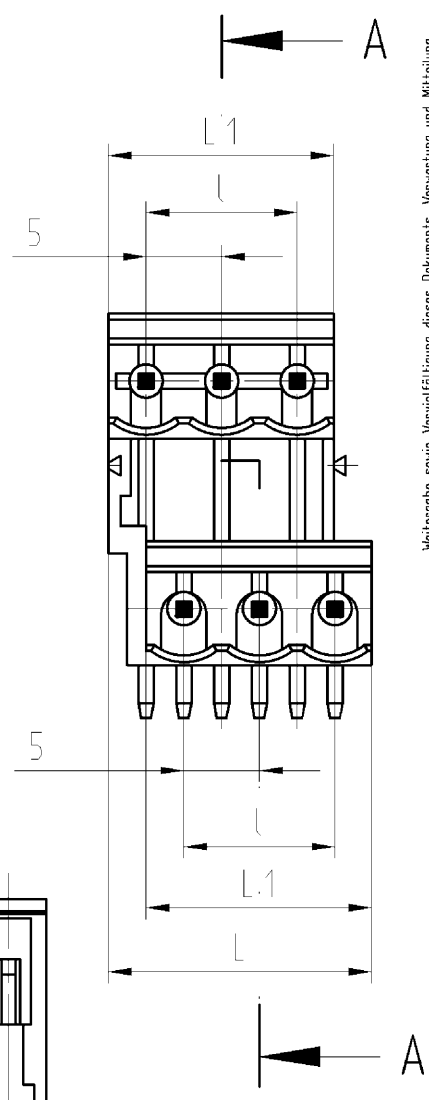
These dimensions will be especially checked at delivery  
 Only inspection dimensions  
 With /E marked dimensions are only valid for internal use

Diese Maße werden bei Abnahme besonders geprüft  
 Ausschließlich Prüfmaße  
 Mit /E gekennzeichnete Maße sind nur für interne Zwecke gültig



View X

Ansicht X  
 view X



Weitere Daten siehe Katalog  
 further data see catalog

Weitergabe sowie Vervielfältigung dieses Dokuments, Verwertung und Mitteilung seines Inhalts sind verboten, soweit nicht ausdrücklich gestattet. Die Reproduktion, Distribution und Utilization of this document as well as the communication of its contents to others without express authorization is prohibited.

○ 25.336.3253.0	2	8113 SE 2W OB	12,5	10	5	kieselgrau RAL 7032/ pebble grey RAL 7032
25.336.3253.1		8113 SE 2W OB SW				schwarz RAL 9005 / black RAL 9005
25.336.3353.0	3	8113 SE 3W OB	17,5	15	10	kieselgrau RAL 7032/ pebble grey RAL 7032
25.336.3353.1		8113 SE 3W OB SW				schwarz RAL 9005 / black RAL 9005
Teile-Nr. part number	Polzahl pole	Typ type	L	L1	l	Farbe colour

Tolerierung nach DIN 7167/Tolerance system acc. to DIN 7167. (This DIN-standard describes the envelope principle. According to the envelope principle the deviations of form and parallelism are limited by the size tolerances). ja/yes  Stoffverbots- und Deklarationsliste nach UU-TQM-05/03 ist einzuhalten. Conformity with Wieland document UU-TQM-05/03 (list of prohibited / declarable hazardous substances) to be declared!

Freitoleranz nach DIN ISO 2768 - m CAD - Zeichnung, keine manuellen Änderungen I.Verwendung: - Blatt: 1 von 1  
 General tolerance CAD - drawing, no manual modifications allowed First Use: Sheet: 1 of 1

Werkstoff/Material		2011	Tag/Date	Name	T	Zeichnung Nr./Drawing No. 25.336.3353.0 01K	Index
/		gezeichnet drawn	18.11.	Schmitt J.			
/		geprüft checked	-	-	Maße in mm/Dimensions are in mm		
/		Normgepr. Stand., check	-	-	Ersatz für/Replacement for: -		
/		Vol.	mm <sup>3</sup>	Öfl./Surf.	mm <sup>2</sup>	Pin header STIFTLISTE Raster / pitch 5,0	
/		wieland		Type Typ	Benennung/Tittle		
/		Elektrische Verbindungen		8113 SE 2-3 W OB			
Index	Datum / Blatt Date / Sheet						
Änderung/Revision							

253363353001K\_2 CADW2035 Schmitt 2011-11-18T10:14:33 1.000