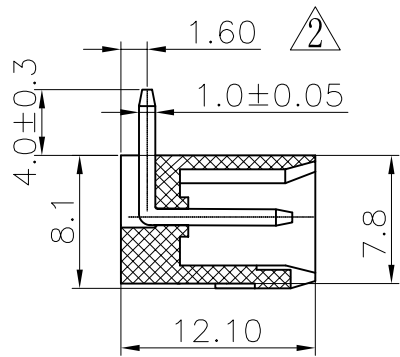
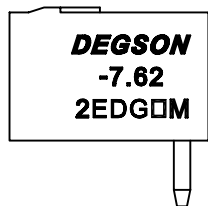
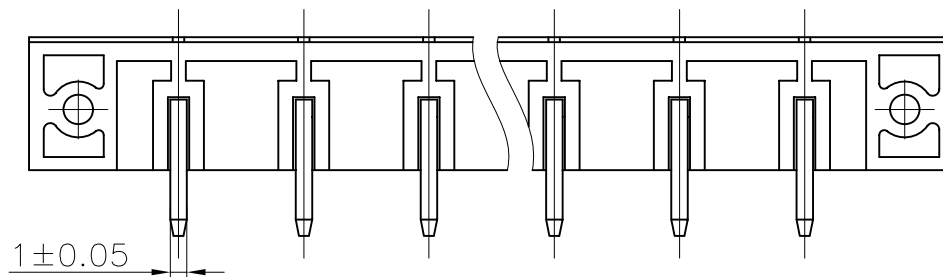
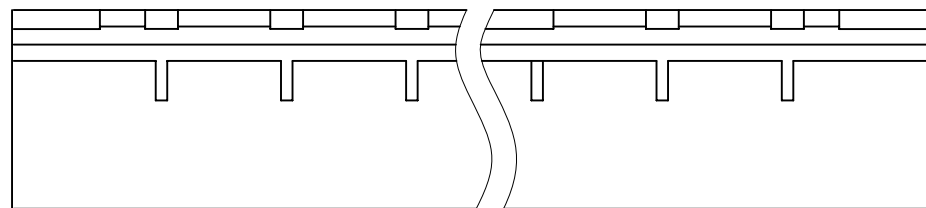
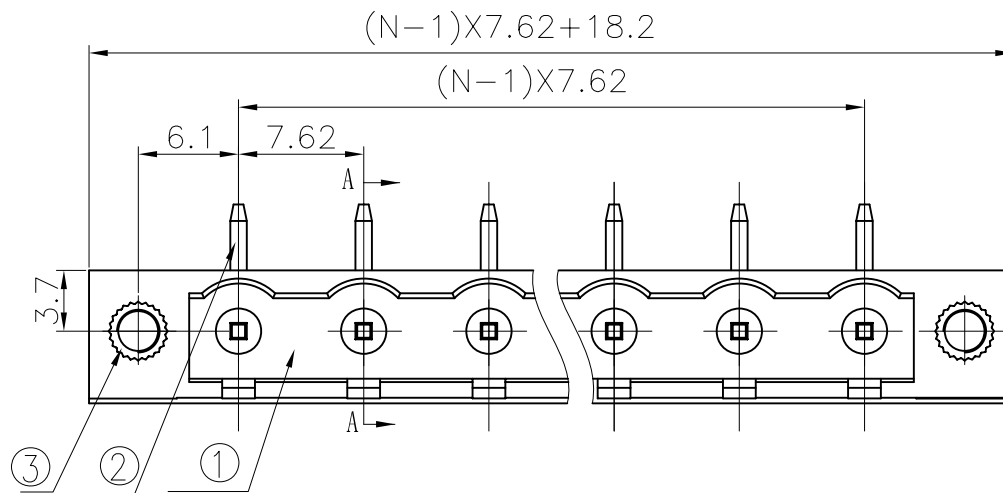


REVISION RECORD				
REV	ECO	DESCRIPTION	DRFT	DATE
△		增加CE、VDE刻字	YeJ	02/29/08
△		更新图面	LJH	04/16/08



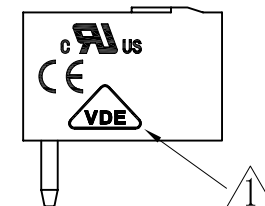
SECTION A-A



Notes:

- Pitch: 7.62mm, Poles: 2-22P
- Rated voltage/current: UL 300V/15A
VDE 400V/15A
- Operation temperatures: -40°C ~ +105°C
- Withstanding Voltage: AC2000V/1min
- Insulation Resistance: 5000MΩ / DC1000V
- Undimensioned Tolerances:

Pitch range in mm		Nominal dimension range in mm						
to	over	over	over	over	over	over	—	
6	6 to 10	10 to 24	30 to 30	60 to 60	100 to 100	150 to 150	∩	
±0.10	±0.15	±0.25	±0.2	±0.3	±0.5	±0.7	±1.0	
							0.05/10	



1	2EDGRM-7.62-Housing	1060A0YXXA (H)	1	PA66	UL94V-0
ITEM	NAME OF PART	NO. OF PART	Q'TY	MATERIAL	NOTES
DETACHED LISTS	MM (INCH)	DFTO Yangys	DATE 06/16/06"	宁波高正电子有限公司 DEGSON® DEGSON ELECTRONICS CO., LTD NAME 2EDGRM-7.62-XXP-1Y-00A (H)	
	TOLERANCES EXCEPT AS NOTED	CHKD	DATE		
		MFO	DATE		
		APPVL	DATE		
		MATERIAL :			
	ANGLES ± 1°	G.E :		DRAWING NO. 2EDGRM-7.62-E01	
	THIRD ANGLE PROJECTION	FINISH :		/PART NO.	
		SCALE :		DO NOT SCALE DRAWING	
				SHEET 1	REV T2 04/16/08

3	2EDGR (A) -Pin header (1*8.25*8.7)	1008B00040 (H)	XX	Brass	SnCe
2	2EDG-Screw cap	S000000040 (H)	2	Brass	