

Data sheet

Commercial Art.No.: 27.336.0953.0

PCB pin header 8113 SEG / 9/ 18 W OB

PCB pin header, 9 poles, pitch: 5 mm, type of packing: carton, color: grey



Commercial Art.No.	27.336.0953.0
EAN	4015573872691
Order Unit	50

Certificates / Approvals



Technical data

General

Modular spacing	5 mm
Soldering process	Wave soldering
Packaging	Carton
Number of poles	18
Number of levels	2
Marking	No
Fastening	None
Mating direction towards (circuit) board	180°

Technical data

Rated current	10 A
Overvoltage Category I	400 V
Overvoltage Category II	400 V
Overvoltage Category III	250 V
Rated impulse voltage	4 kV

Technical Data UL/CSA

Voltage UL	300 V
Current field wiring	10 A
Current factory wiring	10 A
Voltage CSA	300 V

Current CSA	10 A
-------------	------

Other

Type of insulation material	Thermoplastic
Color	Grey
Height	22 mm
Length	47 mm
Depth	28.5 mm
Material contact base	CuSn
Material contact surface	Sn

Classification

ECLASS 11	
ECLASS 8.1	27440402
ETIM 7.0	EC002637
ETIM 6.0	EC002637
ETIM 5.0	EC002637
ETIM 4.0	EC002637

Product compliance

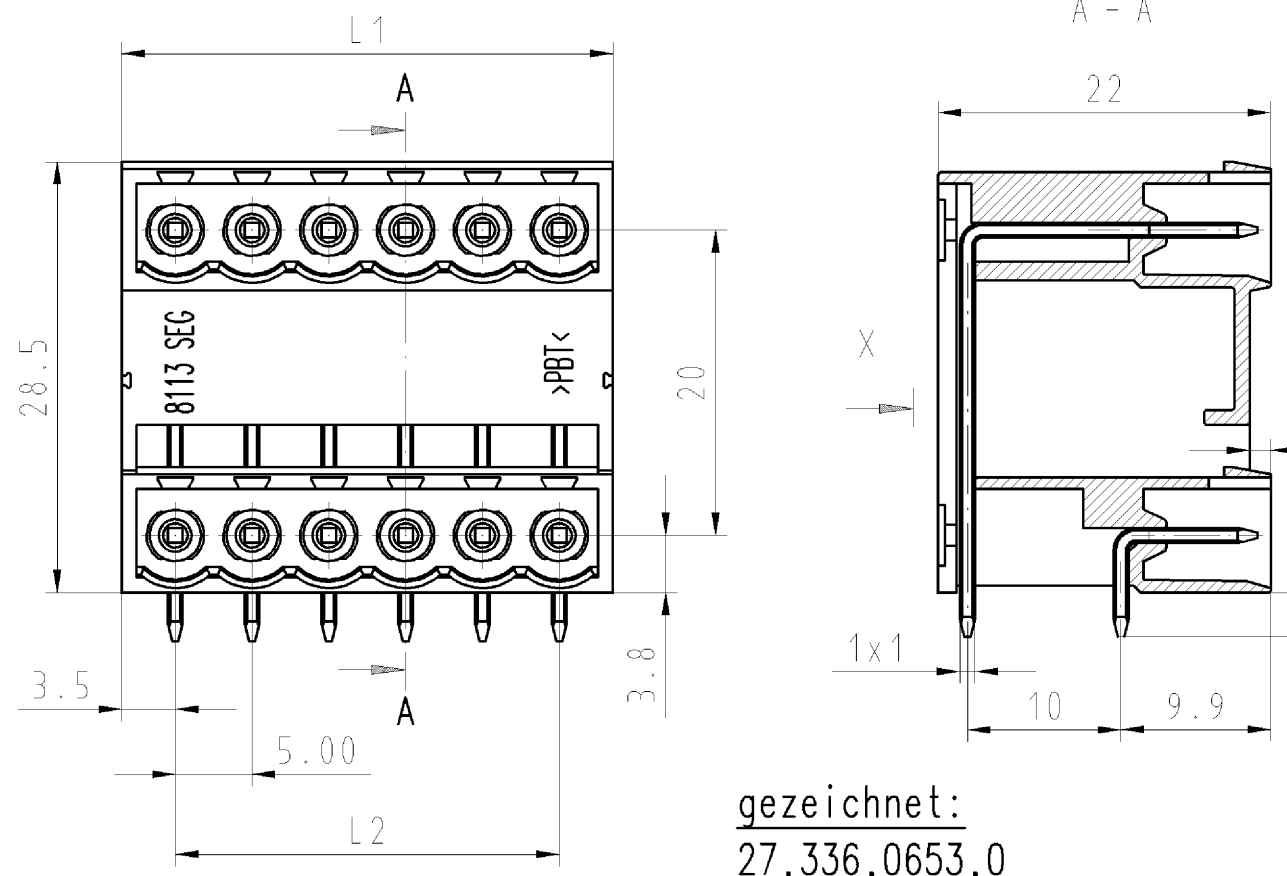
ROHS conformity status	Compliant
REACH-SVHC conformity status	Compliant

Fits with

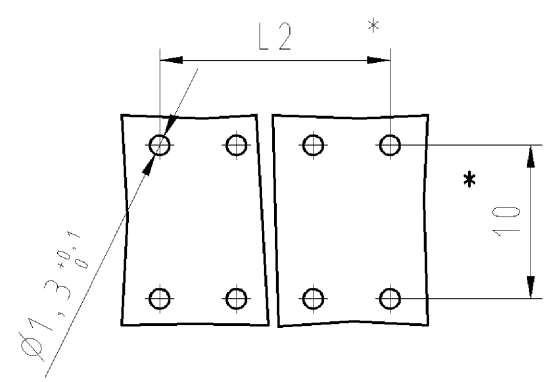
Commercial Art.No.:	Article-type description:	Description:
25.220.3953.0	PCB connector 8113 B / 9 TOP OB	PCB female connector with front/top screw connection, 9 poles, max. cross section: 2.5 mm ² , pitch: 5 mm, type of packing: carton, color: grey
25.220.0953.0	PCB connector 8113 B / 9 TOP	PCB female connector with front/top screw connection, 9 poles, printed version, max. cross section: 2.5 mm ² , pitch: 5 mm, type of packing: carton, color: grey
01.060.3953.0	PCB connector 8113 BK / 9 OB	PCB female connector with Crimp connection, 9 poles, max. cross section: 2.5 mm ² , pitch: 5 mm, type of packing: carton, color: grey
01.060.0953.0	PCB connector 8113 BK / 9	PCB female connector with Crimp connection, 9 poles, printed version, max. cross section: 2.5 mm ² , pitch: 5 mm, type of packing: carton, color: grey
25.320.3953.0	PCB connector 8113 B / 9 OB	PCB female connector with screw connection with rising cage clamp system, 9 poles, max. cross section: 2.5 mm ² , pitch: 5 mm, type of packing: carton, color: grey
25.320.0953.0	PCB connector 8113 B / 9	PCB female connector with screw connection with rising cage clamp system, 9 poles, printed version, max. cross section: 2.5 mm ² , pitch: 5 mm, type of packing: carton, color: grey
25.325.3953.0	PCB connector 8113 B / 9 VR OB	PCB female connector with screw connection with rising cage clamp system, 9 poles, max. cross section: 2.5 mm ² , pitch: 5 mm, type of packing: carton, color: grey
25.325.0953.0	PCB connector 8113 B / 9 VR	PCB female connector with screw connection with rising cage clamp system, 9 poles, printed version, max. cross section: 2.5 mm ² , pitch: 5 mm, type of packing: carton, color: grey
25.326.3953.0	PCB connector 8113 B / 9 VL OB	PCB female connector with screw connection with rising cage clamp system, 9 poles, max. cross section: 2.5 mm ² , pitch: 5 mm, type of packing: carton, color: grey

25.326.0953.0	PCB connector 8113 B / 9 VL	PCB female connector with screw connection with rising cage clamp system, 9 poles, printed version, max. cross section: 2.5 mm ² , pitch: 5 mm, type of packing: carton, color: grey
25.820.3953.0	PCB connector 8113 BFK / 9 TOP OB	PCB female connector with tension spring connection, 9 poles, max. cross section: 2.5 mm ² , pitch: 5 mm, type of packing: carton, color: grey
25.820.0953.0	PCB connector 8113 BFK / 9 TOP	PCB female connector with tension spring connection, 9 poles, printed version, max. cross section: 2.5 mm ² , pitch: 5 mm, type of packing: carton, color: grey

These dimensions will be especially checked of delivery
 Only inspection dimensions
 With /E marked dimensions are only valid for internal use
 Diese Maße werden bei Abnahme besonders geprüft
 Ausschließlich Prüfmaße
 Mit /E gekennzeichnete Maße sind nur für interne Zwecke gültig



gezeichnet:
27.336.0653.0



Lochbild/Layout

*) Lochbildtoleranz n. IEC 326 T3, sehr fein/
drill hole tolerances acc. to IEC 326 Part 3 very fine

Technische Daten
Technical Data

Bemessungsspannung rated voltage	V	VDE 250	UL 300	CSA 300
Bemessungsstrom rated current	A	10	10	10
Brennbarkeitsklasse flamability rating	UL 94 V-0			
Verschmutzungsgrad pollution degree	3/Überspannungskategorie III			

Kontaktbasismaterial contact basis material	CuSn4 F47
Diffusionssperre diffusion barrier	Cu 2-3µm
Kontaktoberfläche contact surface	Sn 4-6µm
Isoliermaterial insulating material	PBT

Teile-Nr. part no.	Typ type	Polzahl pole	L1	L2
27.336.0253.0	8113 SEG / 2 / 4 W OB	4	12	5
27.336.0353.0	8113 SEG / 3 / 6 W OB	6	17	10
27.336.0453.0	8113 SEG / 4 / 8 W OB	8	22	15
27.336.0553.0	8113 SEG / 5 / 10 W OB	10	27	20
27.336.0653.0	8113 SEG / 6 / 12 W OB	12	32	25
27.336.0753.0	8113 SEG / 7 / 14 W OB	14	37	30
27.336.0853.0	8113 SEG / 8 / 16 W OB	16	42	35
27.336.0953.0	8113 SEG / 9 / 18 W OB	18	47	40
27.336.1053.0	8113 SEG / 10 / 20 W OB	20	52	45
27.336.1153.0	8113 SEG / 11 / 22 W OB	22	57	50
27.336.1253.0	8113 SEG / 12 / 24 W OB	24	62	55
27.336.1353.0	8113 SEG / 13 / 26 W OB	26	67	60
27.336.1453.0	8113 SEG / 14 / 28 W OB	28	72	65
27.336.1553.0	8113 SEG / 15 / 30 W OB	30	77	70
27.336.1653.0	8113 SEG / 16 / 32 W OB	32	82	75
27.336.1753.0	8113 SEG / 17 / 34 W OB	34	87	80
27.336.1853.0	8113 SEG / 18 / 36 W OB	36	92	85
27.336.1953.0	8113 SEG / 19 / 38 W OB	38	97	90
27.336.2053.0	8113 SEG / 20 / 40 W OB	40	102	95
27.336.2153.0	8113 SEG / 21 / 42 W OB	42	107	100
27.336.2253.0	8113 SEG / 22 / 44 W OB	44	112	105
27.336.2353.0	8113 SEG / 23 / 46 W OB	46	117	110
27.336.2453.0	8113 SEG / 24 / 48 W OB	48	122	115

Weitere Daten siehe Katalog
further data see catalog

Tolerierung nach DIN 7167/Tolerance system acc. to DIN 7167.
 (This DIN-standard describes the envelope principle. According to the envelope principle the deviations of form and parallelism are limited by the size tolerances).

ja/yes Stoffverbots- und Deklarationsliste nach UU-TQM-05/03 ist einzuhalten.
 Conformity with Wieland document UU-TQM-05/03 (list of prohibited / declarable hazardous substances) to be declared!

Freitoleranz nach General tolerance: CAD - Zeichnung, keine manuellen Änderungen CAD - drawing, no manual modifications allowed

1. Verwendung: First Use: Blatt: 1 von 1 Sheet: of 1

Werkstoff/Material Farbe: grau, ähnl. RAL 7032 colour: grey, sim. RAL 7032	2002 gezeichnet/drawn 30.04. geprüft/checked - Nähergepr. / Stand. check -	Tag/Date Name Bauer F	Zeichnung Nr./Drawing No. T 27.336.0253.0 01K	Index a
Maßstab/Scale 2:1	Maße in mm/Dimensions are in mm			

Maße in mm/Dimensions are in mm

Wieland Elektrische Verbindungen

Type: 8113 SEG
Benennung/Title: LP_STIFTLISTE
Rastermaß 5,00
PCB-Header pitch 5,00mm

Änderung/Revision

Weitergabe sowie Verwertung dieses Dokuments, Verwertung und Mitteilung seines Inhalts sind verboten, soweit nicht ausdrücklich gestattet. Die Reproduktion, Distribution und Utilization of this document as well as the communication of its contents to others without express authorization is prohibited.