

DETAILS

Product Number	C11425_STRADA-T-DW
Family	Strada-T
Type	Lens
Color	clear
Diameter	19,6 x 15,5 mm
Height	10,7 mm
Style	rectang
Optic Material	PMMA
Holder Material	
Fastening	pin, tape
Status	production ready
ROHS Compliant	Yes
Date Updated	29/01/2015

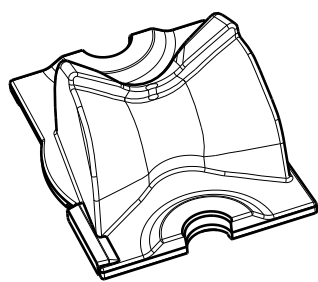


OPTICAL PROPERTIES

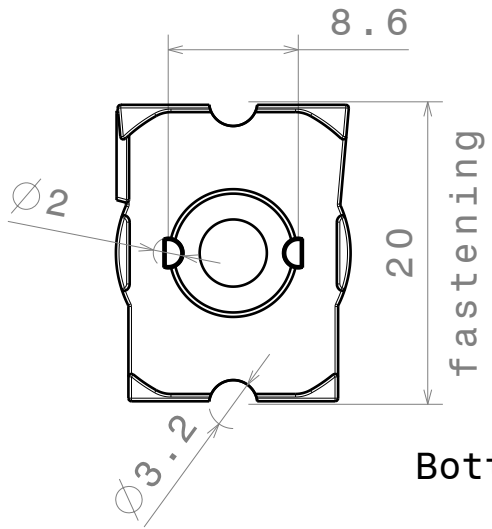
LED	Viewing Angle	Light Beam	Efficiency	cd/lm	Connector
XP-E	Asymmetric deg	Streetligh...	93 %	-	-
XP-G	Asymmetric deg	Streetligh...	93 %	-	-
LUXEON Rebel	Asymmetric deg	Streetligh...	93 %	-	-
LUXEON Rebel ES	Asymmetric deg	Streetligh...	93 %	-	-
LUXEON A	Asymmetric deg	Streetligh...	93 %	-	-
NVSxx19A	Asymmetric deg	Streetligh...	93 %	-	-
NCSxx19A	Asymmetric deg	Streetligh...	93 %	-	-
Oslon SSL 80	Asymmetric deg	Streetligh...	93 %	-	-
Oslon SSL 150	Asymmetric deg	Streetligh...	93 %	-	-
Oslon Square PC	Asymmetric deg	Streetligh...	92 %	-	-
Z5	Asymmetric deg	Streetligh...	93 %	-	-
Double Dome (GM2BB)	Asymmetric deg	Streetligh...	93 %	-	-

D C B A

4

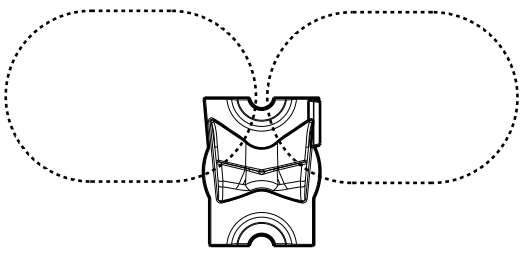


Isometric view

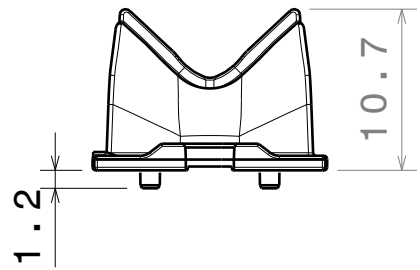


Bottom view

3

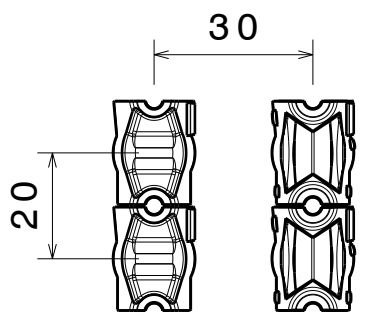


Beam direction

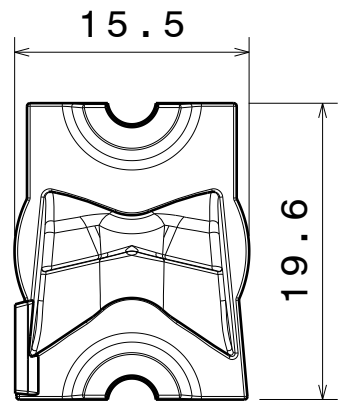


Front view

2



Strada lens arrangement recommendation



Top view

MATERIALS
 Lens: PMMA
 Tape(optional): PU Foam

Part no. with tape fastening: CA11426_Strada-T-DW

This drawing is our property.
 It can't be reproduced
 or communicated without
 our written agreement.



Ledil Oy
 Tehdaskatu 13
 FIN-24100 SALO
 Finland

DRAWING TITLE

Datasheet Strada-T-DW Lens

DRAWN BY o1	DATE 17.05.2010
CHECKED BY pv	DATE 17.05.2010
DESIGNED BY hh	DATE 17.05.2010

SIZE A4	DRAWING NUMBER C11425	REV 1
SCALE 2:1	WEIGHT (g)	SHEET 1/1

1

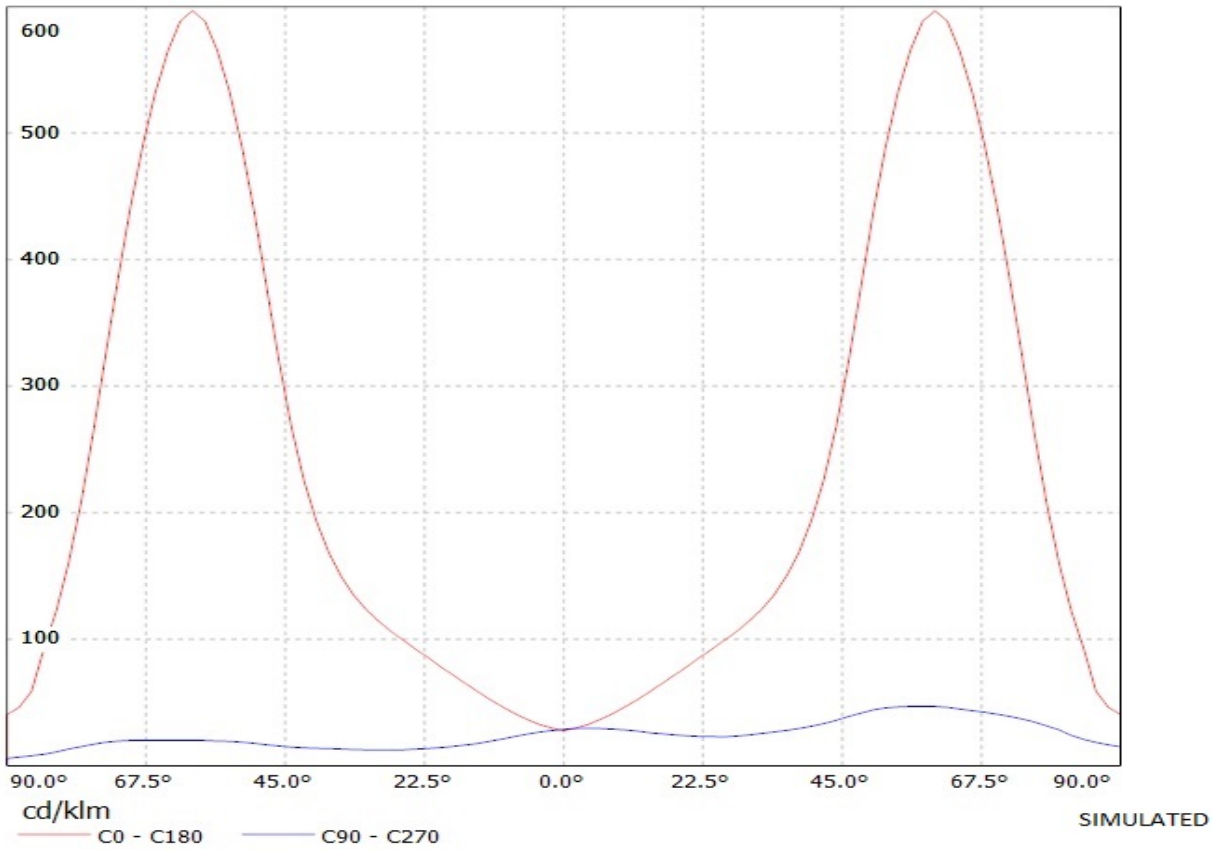
1

D A

Ledil Oy C11425_Strada-T-DW-XP C11425_Strada-T-DW-XP / LDC (Linear)

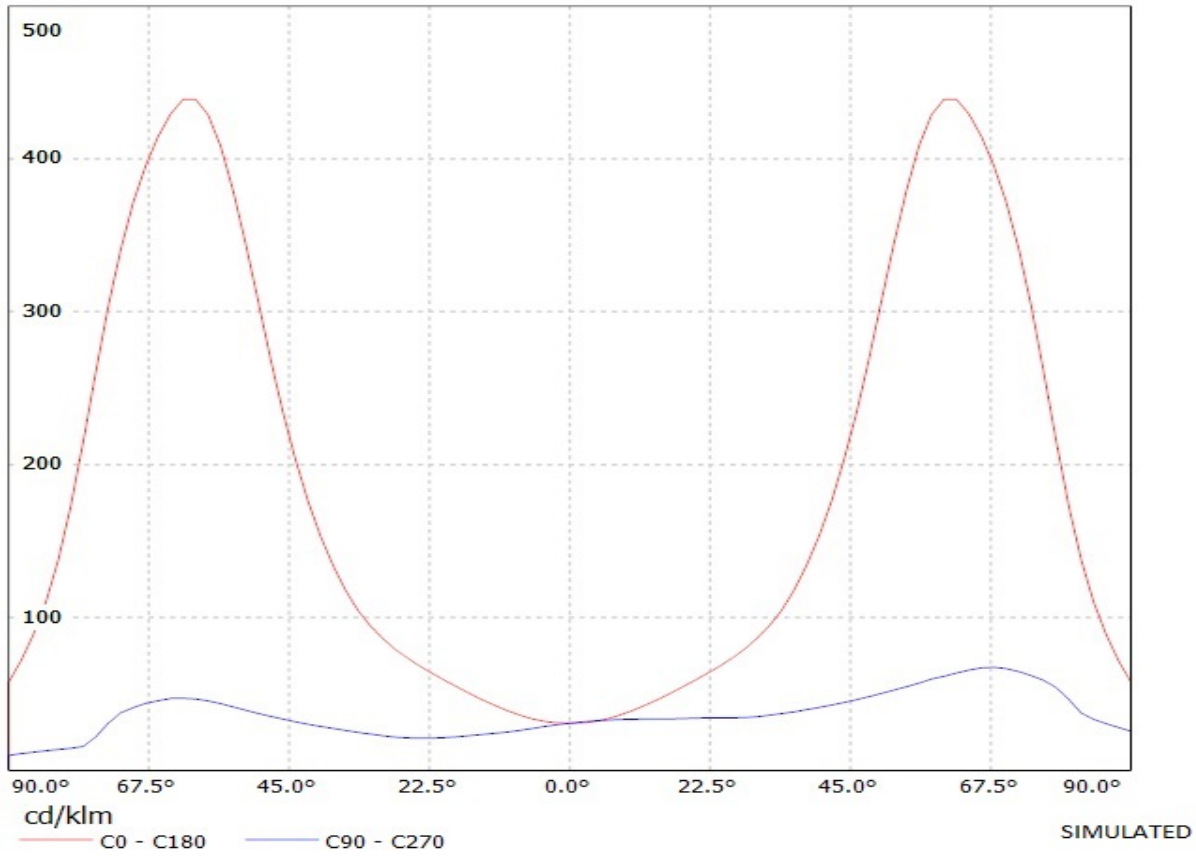
Luminaire: Ledil Oy C11425_Strada-T-DW-XP C11425_Strada-T-DW-XP

Lamps: 1 x Cree XP-E (White)



Ledil Oy C11425_Strada-T-DW-XP-G C11425_Strada-T-DW-XP-G / LDC (Linear)

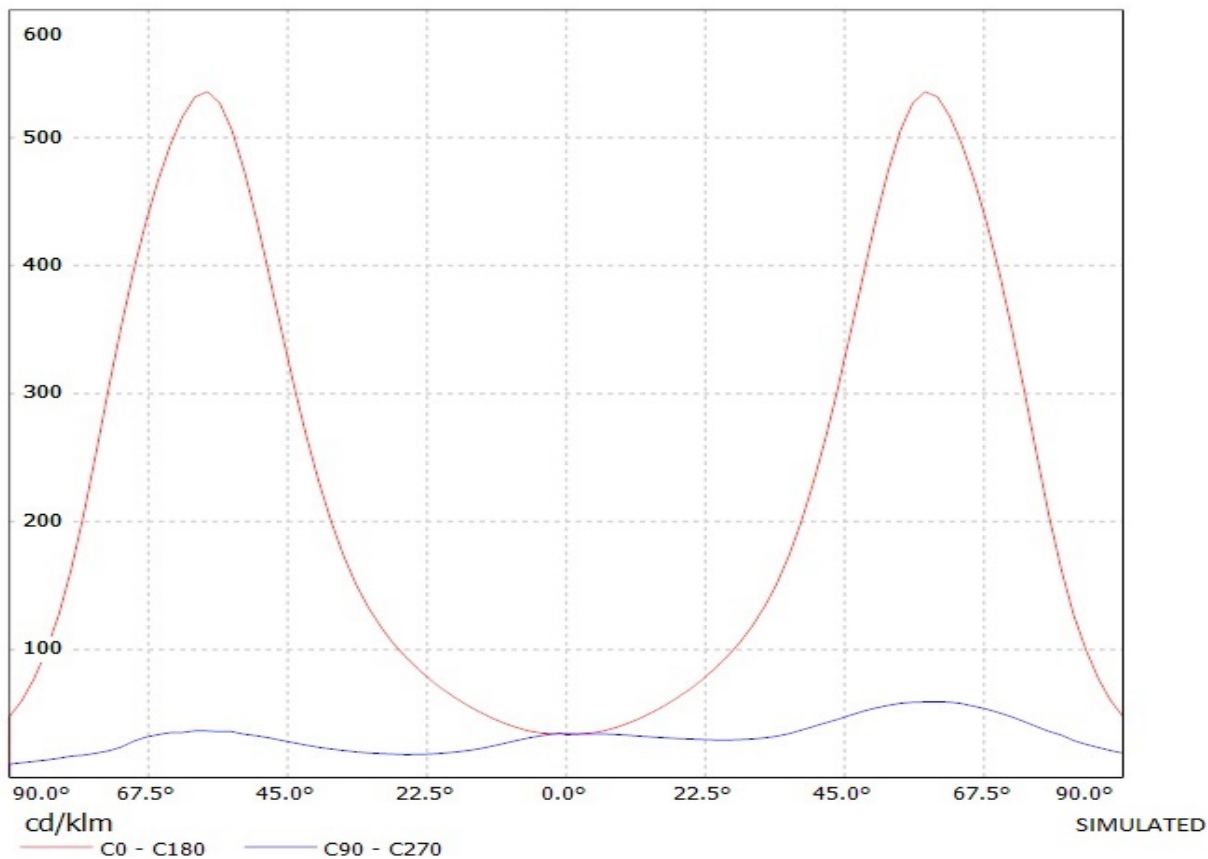
Luminaire: Ledil Oy C11425_Strada-T-DW-XP-G C11425_Strada-T-DW-XP-G
Lamps: 1 x Cree Xp-G (White)



Ledil Oy C11425_Strada-T-DW-RE-ES C11425_Strada-T-DW-RE-ES / LDC (Linear)

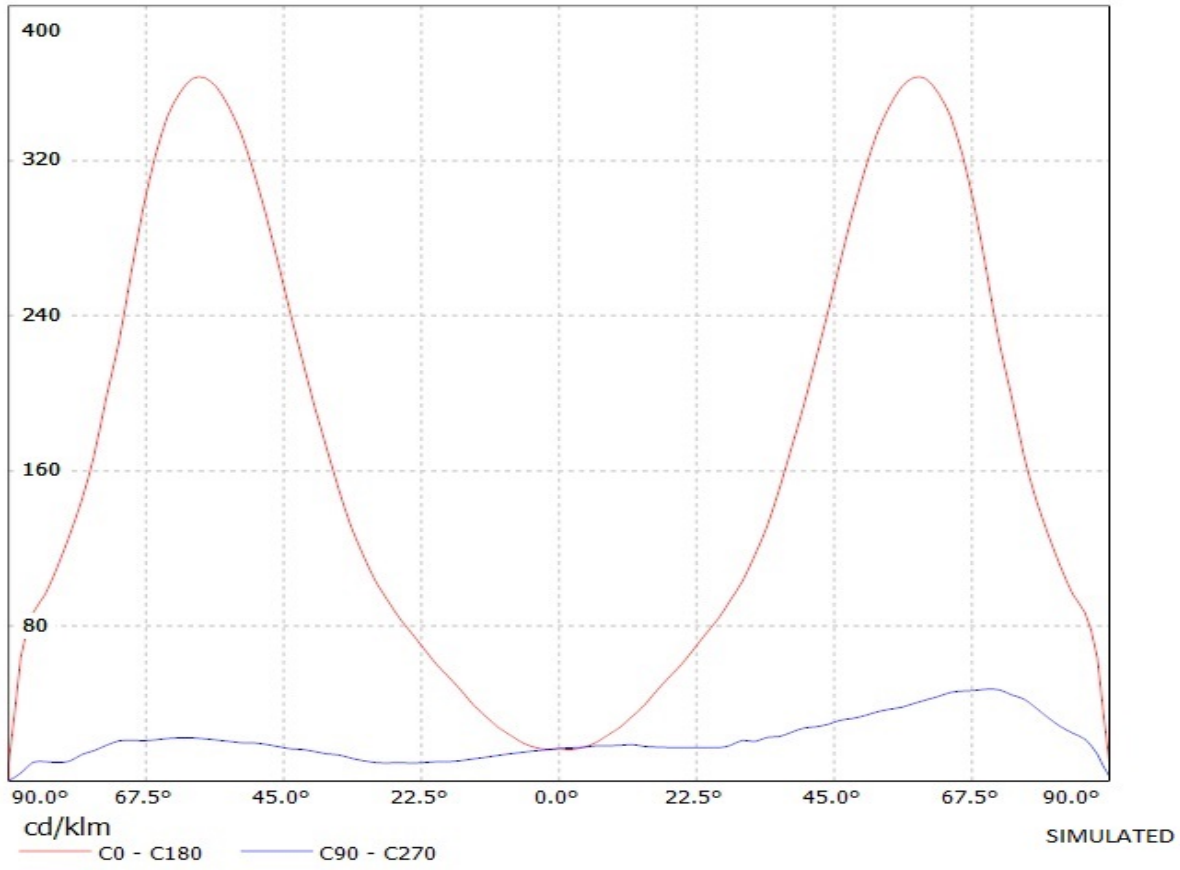
Luminaire: Ledil Oy C11425_Strada-T-DW-RE-ES C11425_Strada-T-DW-RE-ES

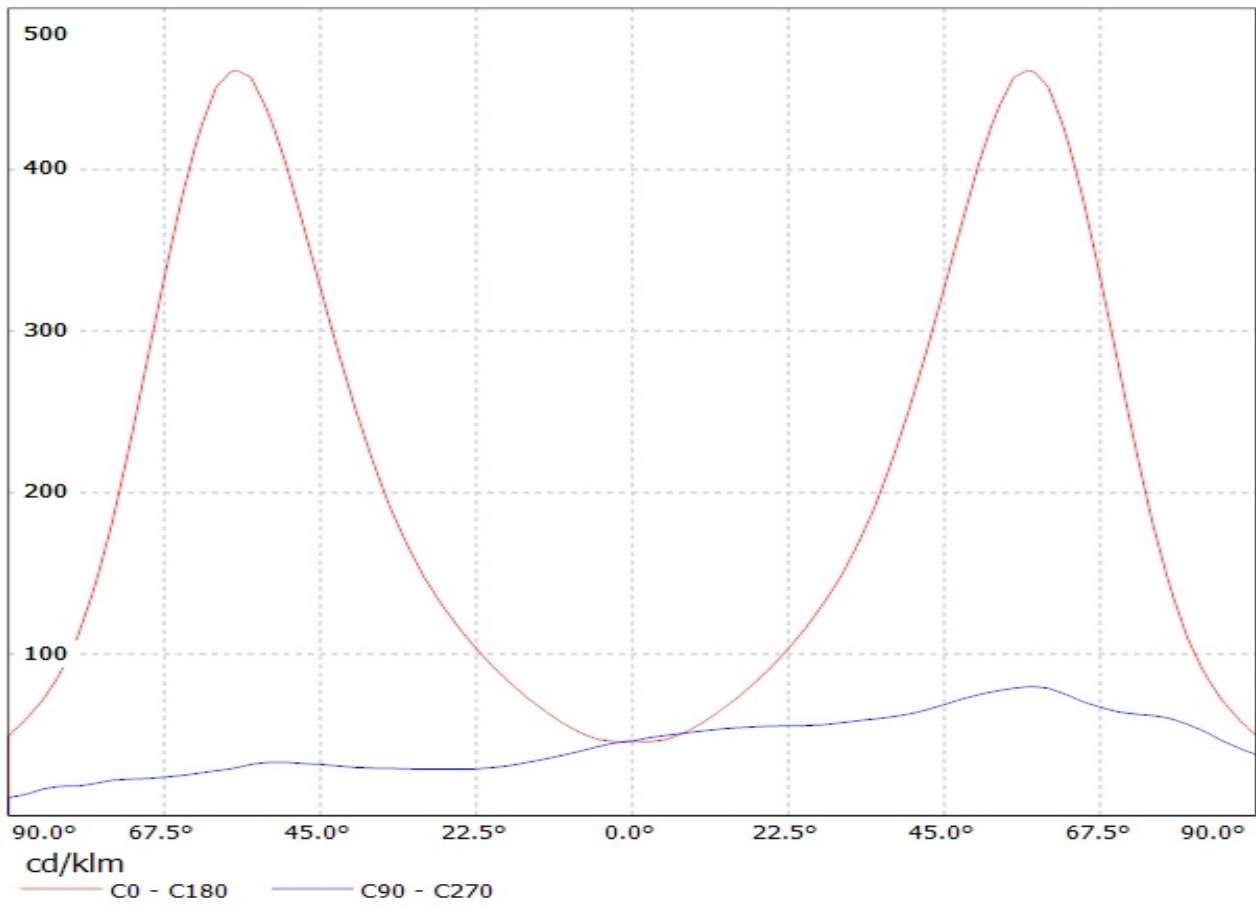
Lamps: 1 x Luxeon Rebel-ES (white)



Ledil Oy CA11426_Strada-T-DW-OSL150 LOR=92% / LDC (Linear)

Luminaire: Ledil Oy CA11426_Strada-T-DW-OSL150 LOR=92%
Lamps: 1 x Osram Oslon 150 109lm @ 250mA

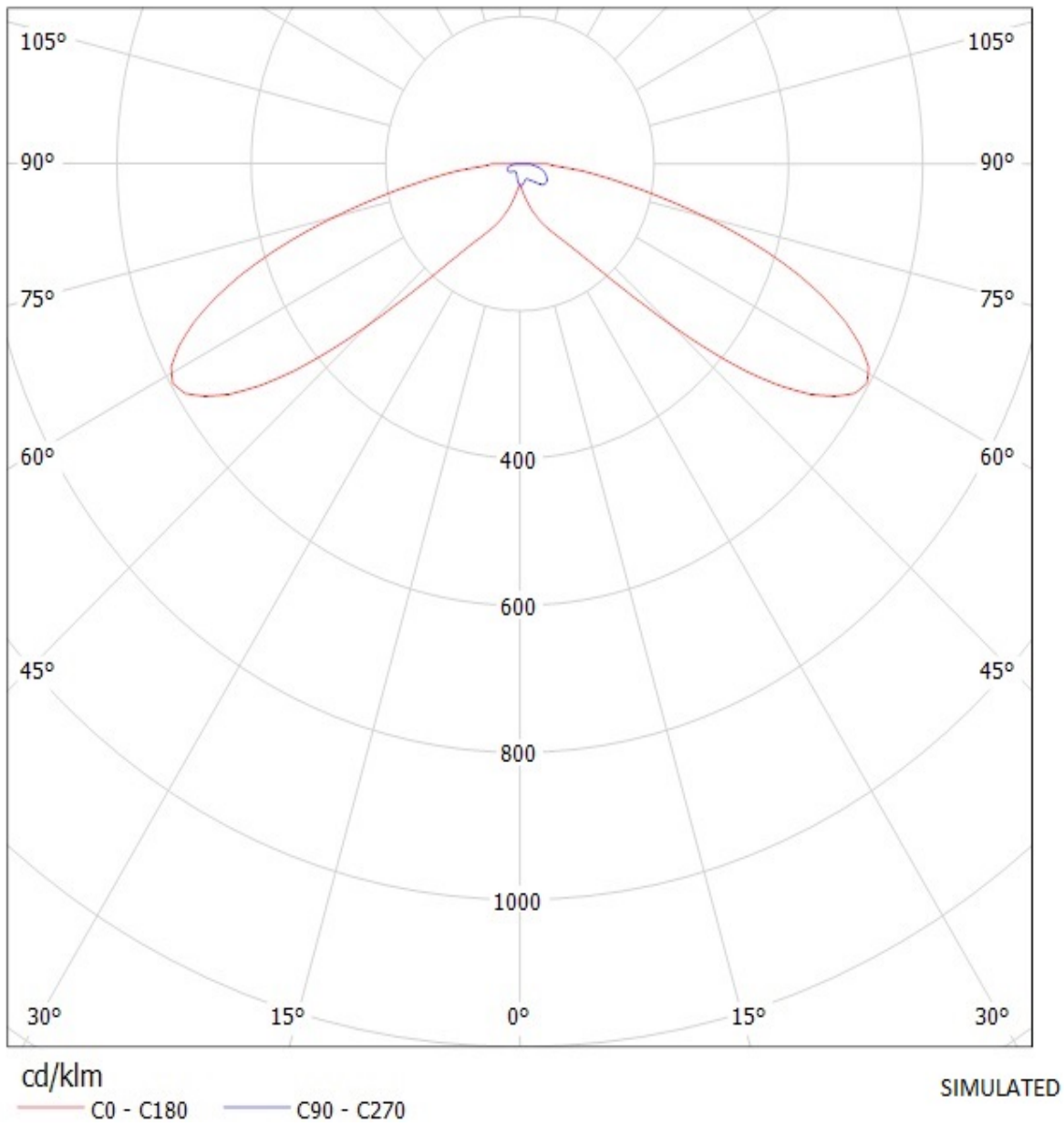




Ledil Oy C11425_Strada-T-DW-XP C11425_Strada-T-DW-XP / LDC (Polar)

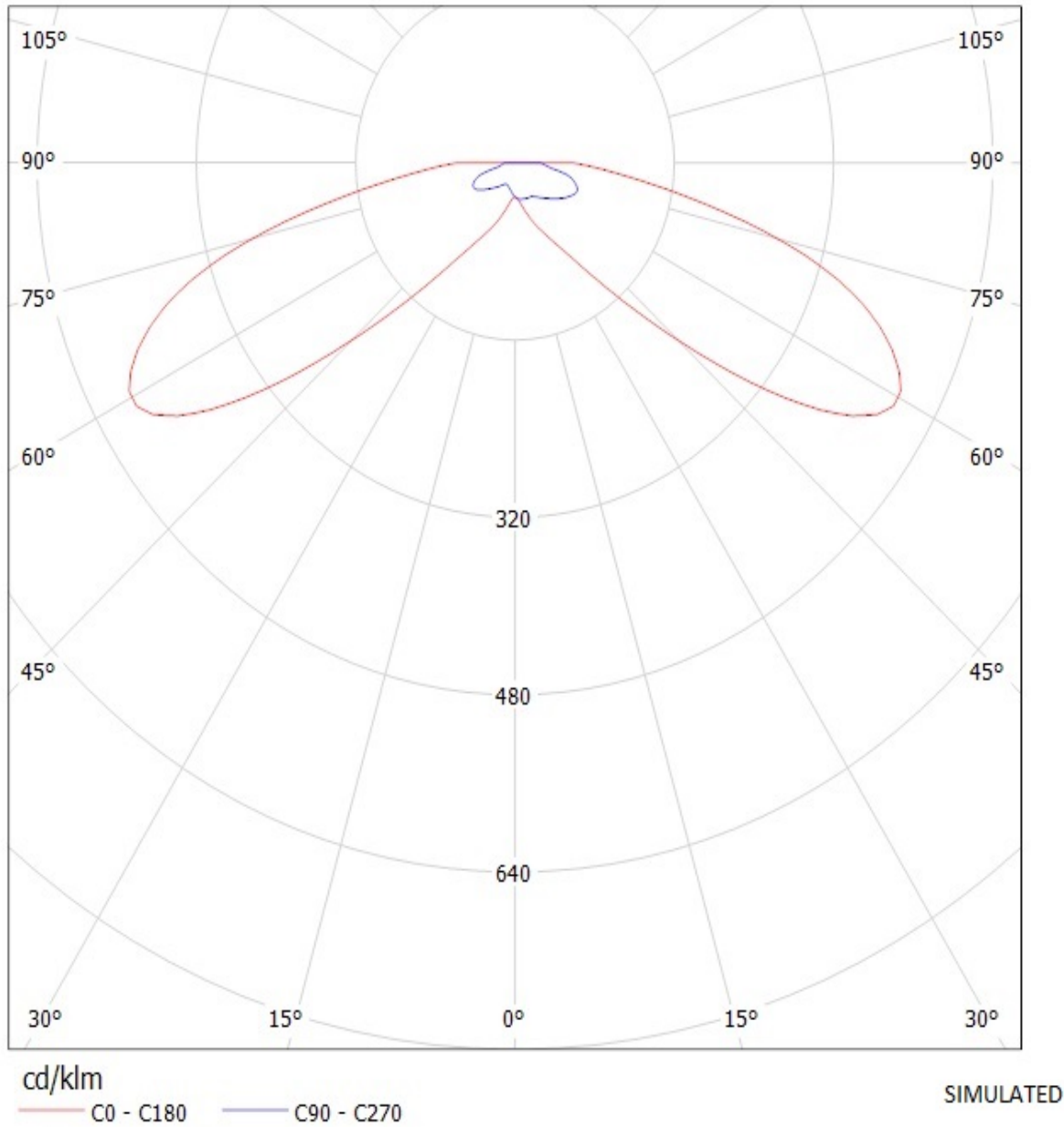
Luminaire: Ledil Oy C11425_Strada-T-DW-XP C11425_Strada-T-DW-XP

Lamps: 1 x Cree XP-E (White)



Ledil Oy C11425_Strada-T-DW-XP-G C11425_Strada-T-DW-XP-G / LDC (Polar)

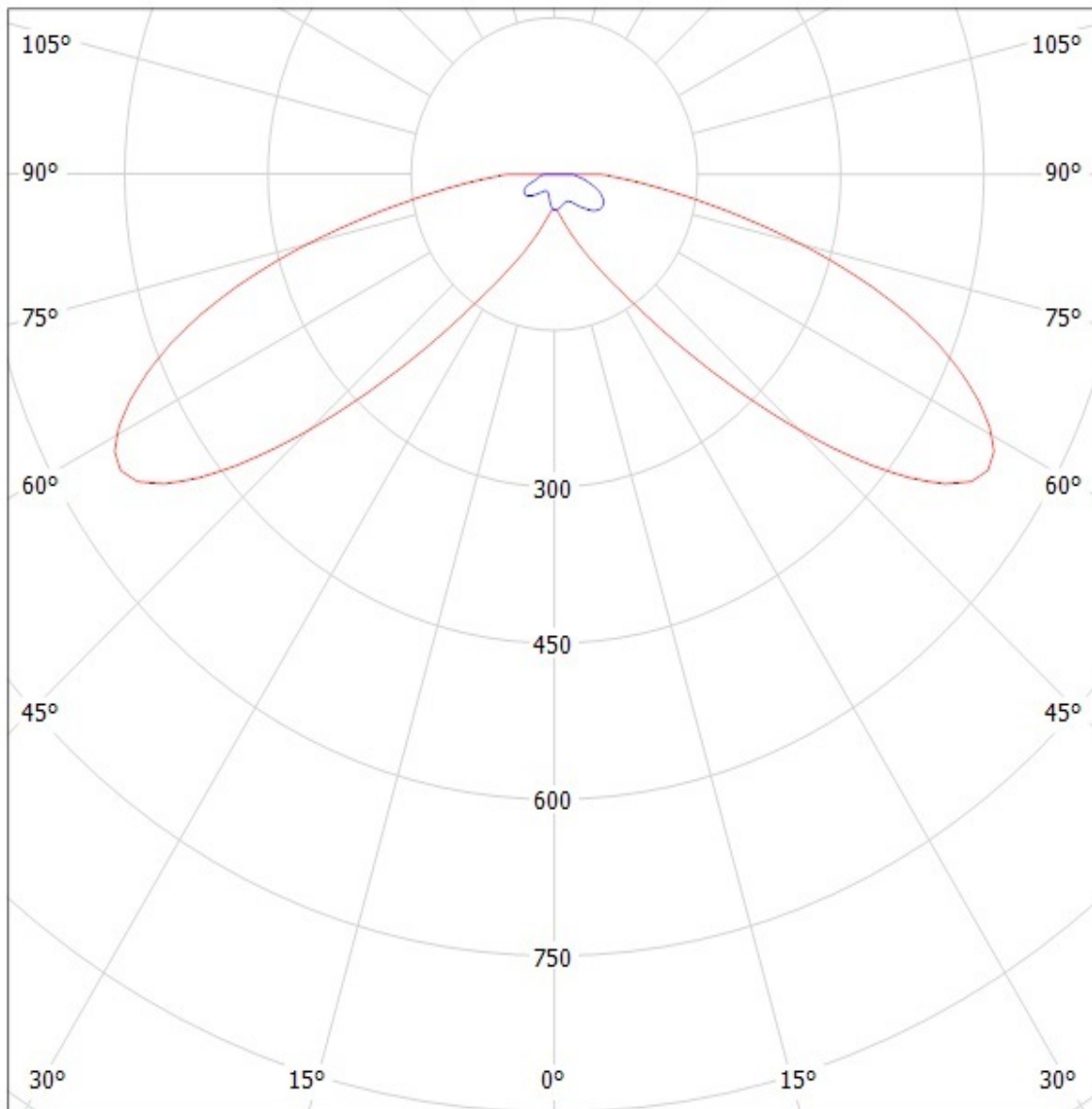
Luminaire: Ledil Oy C11425_Strada-T-DW-XP-G C11425_Strada-T-DW-XP-G
Lamps: 1 x Cree Xp-G (White)



Ledil Oy C11425_Strada-T-DW-RE-ES C11425_Strada-T-DW-RE-ES / LDC (Polar)

Luminaire: Ledil Oy C11425_Strada-T-DW-RE-ES C11425_Strada-T-DW-RE-ES

Lamps: 1 x Luxeon Rebel-ES (white)



cd/klm

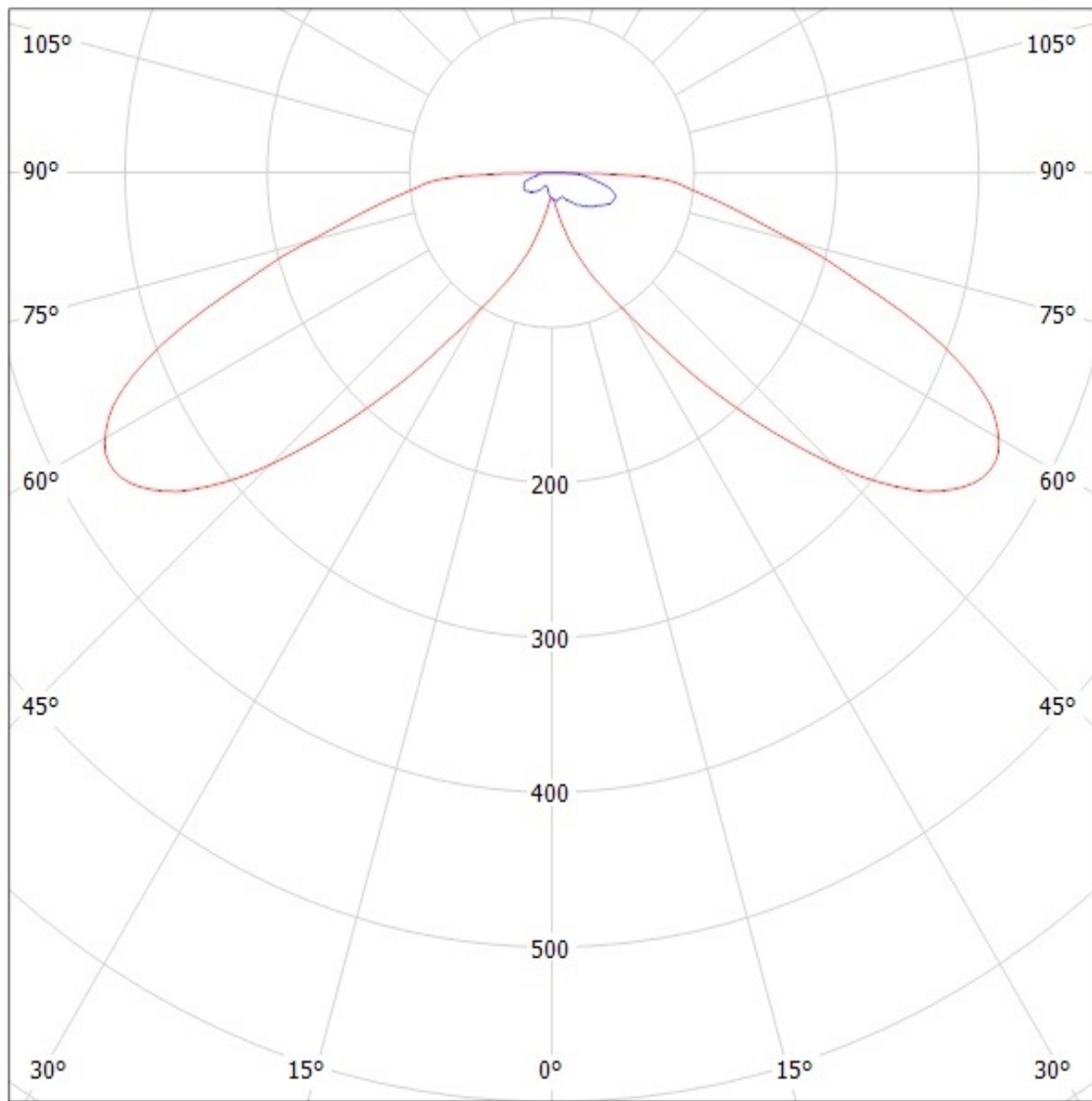
— C0 - C180

— C90 - C270

SIMULATED

Ledil Oy CA11426_Strada-T-DW-OSL150 LOR=92% / LDC (Polar)

Luminaire: Ledil Oy CA11426_Strada-T-DW-OSL150 LOR=92%
Lamps: 1 x Osram Oslon 150 109lm @ 250mA



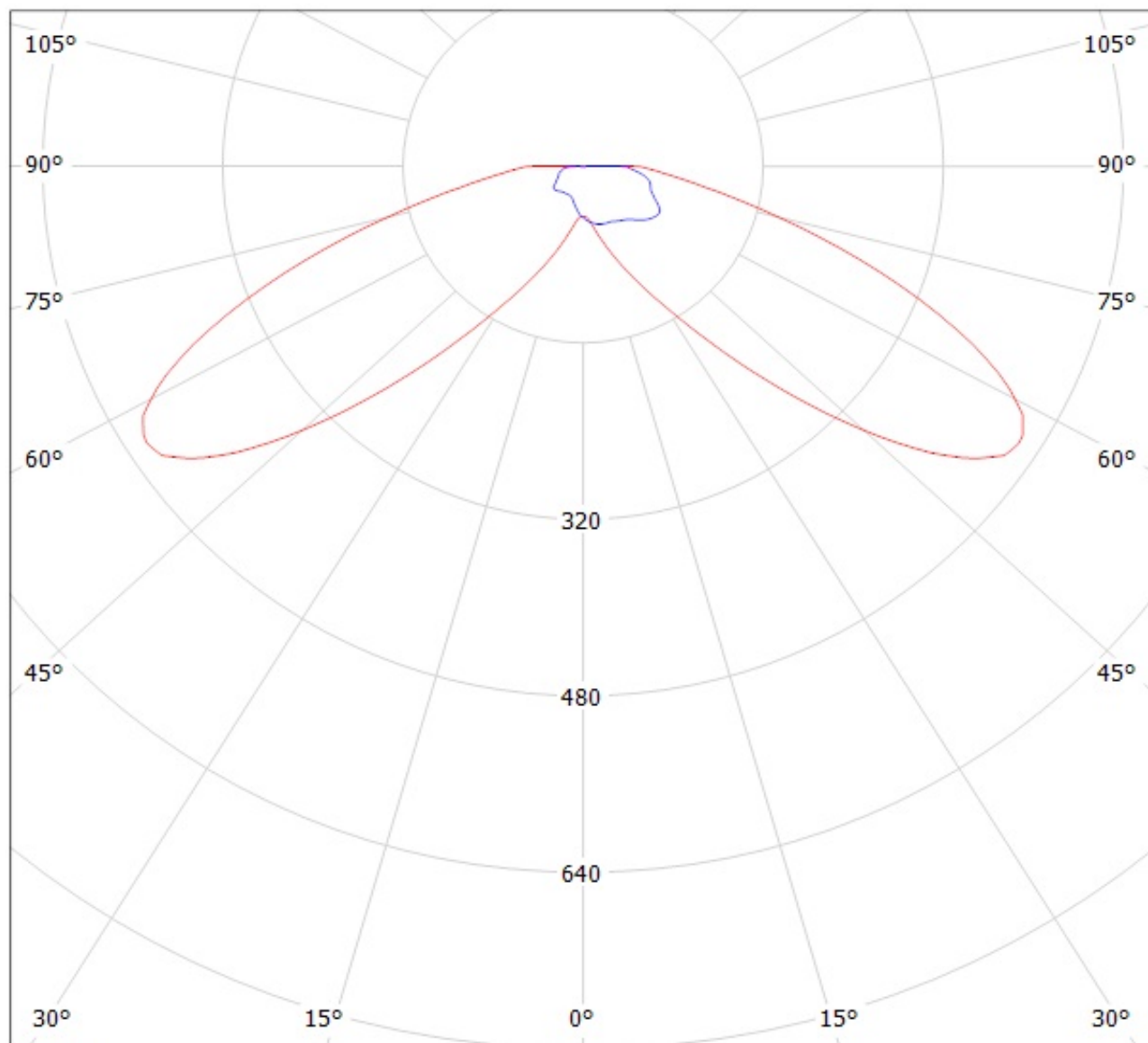
cd/klm

— C0 - C180

— C90 - C270

SIMULATED

Luminaire: LEDIL OY C11425_STRADA-T-DW / CA11426_STRADA-T-DW (SQ PC) Efficiency=92%
Lamps: 1 x Osram Oslon Square PC (93lm@250mA)



cd/klm

— C0 - C180 — C90 - C270

NOTE: The typical divergence will be changed by different color, chip size and chip position tolerance. The typical total divergence is the full angle measured where the luminous intensity is half of the peak value.