

Data sheet

Commercial Art.No.: 92.030.4853.1

Distributor GST18i3V 3P1 F V SW

Distribution block GST18i3, 3 pole, 1 input, 3 outputs, with mounting option, 250 V, 20 A, colour of coding: black



Commercial Art.No.	92.030.4853.1
EAN	4015573437210
Order Unit	1

Certificates / Approvals



Technical data

General

Rated current	20 A
Rated voltage	250 V
Rated impulse voltage	4 kV
Pollution degree	2
Mechanical coding	Code 1
Lockable	self-locking (unlocking by tool)
Color of coding/ contact carrier	black
Marking of poles	L, N, PE

Model

Number of inputs	1
Number of outputs	3
Type of fastening	yes
Degree of protection (IP)	IP20
Type of distributor	H-distributor

Material

Housing material	Polyamide
halogen free	yes
Contact material	CuZn
Fire load	0.012 kWh
Insulation components continuous temperature	100 °C

Surface finish	Tin-plated
----------------	------------

Classification

ECLASS 11	
ECLASS 8.1	27440603
ETIM 7.0	EC002567
ETIM 6.0	EC002567
ETIM 5.0	EC002567
ETIM 4.0	EC002567

Dimensions

Length	44 mm
Width	52 mm
Height	35 mm

Product compliance

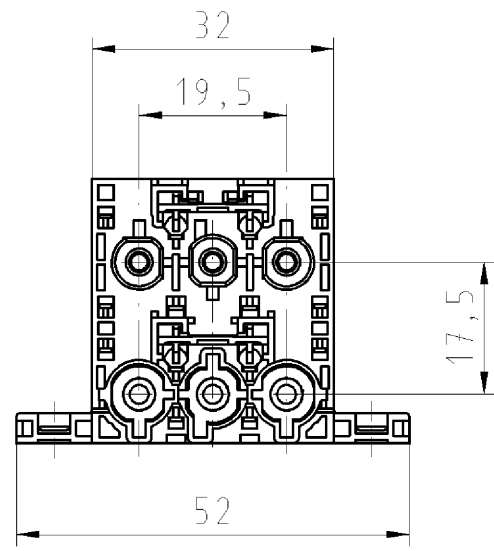
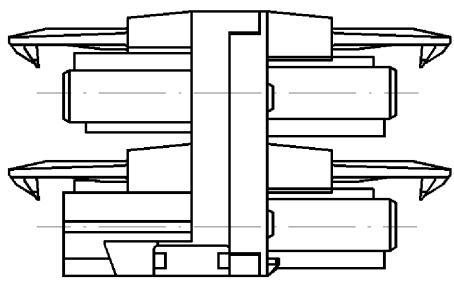
ROHS conformity status	Compliant/Exempted
ROHS exceptions	III-6(c)
REACH-SVHC conformity status	Duty-To-Declare
REACH-SVHC substances	Lead
REACH-SVHC CAS numbers	7439-92-1

Accessories

Commercial Art.No.:	Article-type description:	Description:
05.588.5753.0	Lock GST18 VERTEILER WS	Locking device for distributor GST18i3-5, retrofit part, white
05.588.5753.1	Locking slide GST18 VERTEILER SW	Locking device for distributor GST18i3-5, retrofit part, black
05.561.3653.0	cover cap GST18i3VS B WS	Cover piece for female GST18i3, white
05.561.3653.1	cover cap GST18i3VS B SW	Cover piece for female GST18i3, black
05.564.5353.0	cover cap GST18i3/4/5 SW	Cover piece 12 pole black for female parts GST18i3-6
05.564.5353.2	cover cap GST18i3/4/5 WS	Cover piece 12 pole white for female parts GST18i3-6
05.594.4250.0	cover cap ST18/3B + GST18i3 ST WS	
05.594.4253.0	cover cap ST18/3B + GST18i3 ST WS	

A

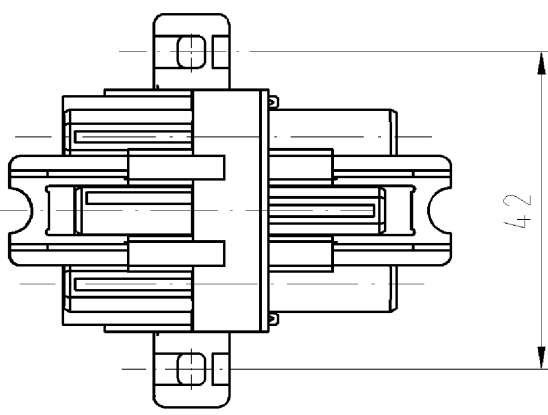
These dimensions will be especially checked at delivery
 Only inspection dimensions
 With /E marked dimensions are only valid for internal use



B

C

Diese Maße werden bei Abnahme besonders geprüft
 Ausschließlich Prüfmaße
 Mit /E gekennzeichnete Maße sind nur für interne Zwecke gültig



D

Weitere Daten siehe Katalog
 further data see catalog

Teilenummer/part-nr.	Type/type	Farbe/colour
92.030.4853.0	GST1813V 3P1 F WS	weiß/white
92.030.4853.1	GST1813V 3P1 F SW	schwarz/black

E

Tolerierung nach DIN 7167/Tolerance system acc. to DIN 7167.
 (This DIN-standard describes the envelope principle. According to the envelope principle the deviations of form and parallelism are limited by the size tolerances).
 ja/yes Stoffverbots- und Deklarationsliste nach UU-TQM-05/03 ist einzuhalten.
 Conformity with Wieland document UU-TQM-05/03 (list of prohibited / declarable hazardous substances) to be declared!

Freitoleranz nach - General tolerance CAD - Zeichnung, keine manuellen Änderungen CAD - drawing, no manual modifications allowed 1.Verwendung: - First Use: Blatt: 1 von 1 Sheet: 1 of 1

F

Werkstoff/Material	2007 Tag/Date	Name	Zeichnung Nr./Drawing No.	Index
	gezeichnet drawn 17.04.	Schmitt J.	T 92.030.4853.0 01K	
Maßstab/Scale	geprüft checked	-		
1:1	Normgepr. Stand. check	-		
Vol. mm³	Of1./Surf. mm²	Ersatz für/Replacement for: -	Maße in mm/Dimensions are in mm	
		Type	Benennung/Tittle	
Elektrische Verbindungen		distribution block VERTEILER mit Anschraubflansch/ with locking flange mit Verriegelung/ with interlocking		
Index	Datum / Blatt Date / Sheet	Änderung/Revision		

Weitergabe sowie Vervielfältigung dieses Dokuments, Verwertung und Mitteilung seines Inhalts sind verboten, soweit nicht ausdrücklich gestattet. Die Reproduktion, Distribution und Utilization of this document as well as the communication of its contents to others without express authorization is prohibited.