

Data sheet

Commercial Art.No.: 56.197.1055.0

High current terminal WRT 120/M10

High current terminal block with ring lug connection for mounting on TS35, nominal cross section: 120 mm², width: 42 mm, color: grey



Commercial Art.No.	56.197.1055.0
EAN	4049088260841
Order Unit	5

Certificates / Approvals



Technical data

General

Nominal cross section	120 mm ²
Color	Grey
Number of levels	1
Number of clamp positions per level	2
Width/grid dimension	42 mm
Insulating housing	PA66
Inflammability class of insulation material acc. with UL94	V0
Explosion-tested version "Ex e"	No
Mounting method	DIN rail (top hat rail) 35 mm
Terminal blocks for electrical installations	yes

Technical data

Rated current	269 A
Rated voltage	1000 V
Rated impulse voltage	8 kV
Pollution degree	3
Type of insulation material	Thermoplastic
Length	133 mm
Width	42 mm
Height	72 mm

Connection Data

Connection type	Bolt connection
-----------------	-----------------

Connection type 1	Bolt connection
Minimum cross section fine stranded	6 mm ²
Maximum cross section fine stranded	150 mm ²

Technical Data UL/CSA

Cross section UL	AWG 10 - 250 kcmil
Voltage UL	1000 V
Current factory wiring	310 A
Cross section CSA	AWG 10 - 250 kcmil
Voltage CSA	1000 V
Current CSA	310 A

Classification

ECLASS 11	
ECLASS 8.1	27141120
ETIM 7.0	EC000897
ETIM 6.0	EC000897
ETIM 5.0	EC000897

Product compliance

REACH-SVHC conformity status	Compliant
------------------------------	-----------

Accessories

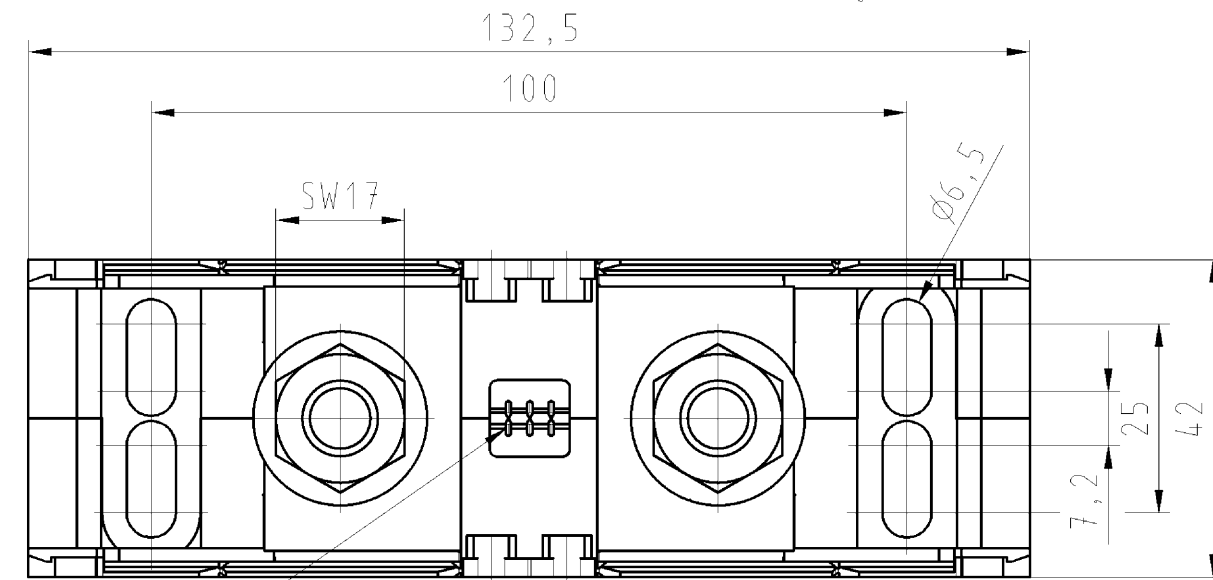
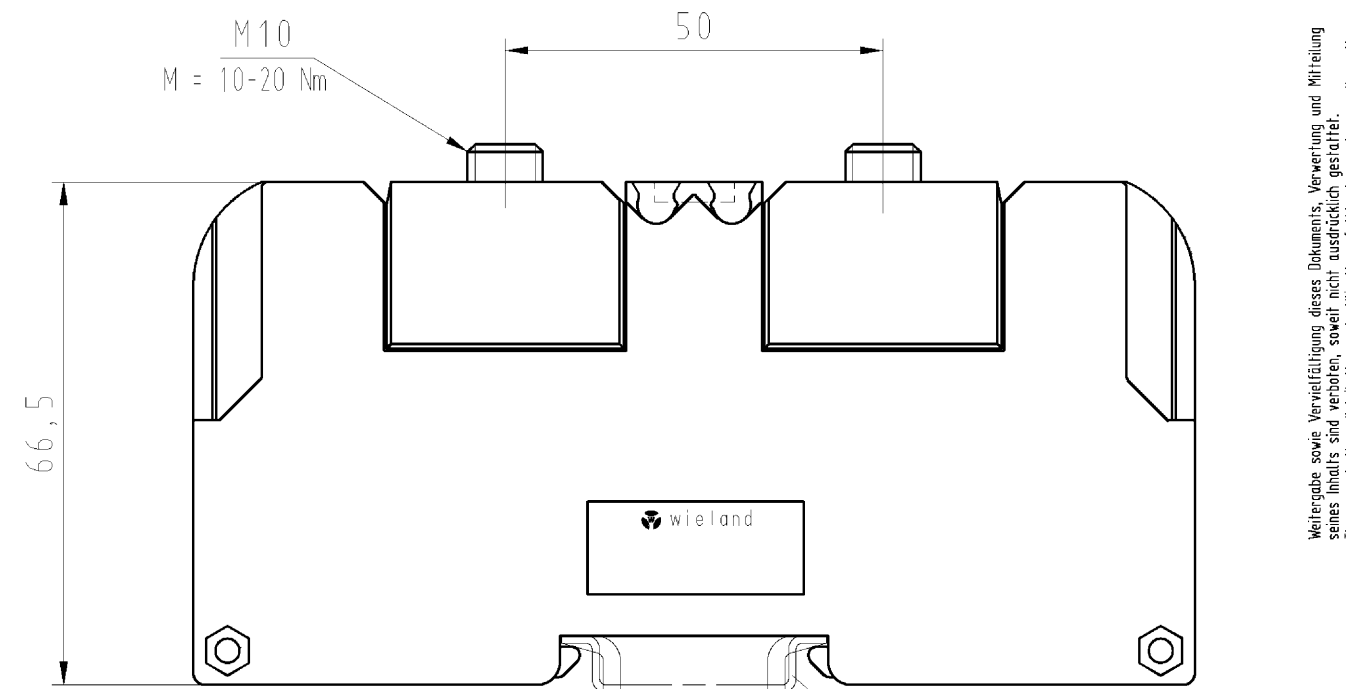
Commercial Art.No.:	Article-type description:	Description:
07.201.5227.6	Jumper bar VB WRT 120/ 2	Cross connector for terminal blocks type WRT 120, 2-pole
07.201.5327.6	Jumper bar VB WRT 120/ 3	Cross connector for terminal blocks type WRT 120, 3-pole
98.300.0000.0	Mounting rail TS 35x7,5 UNPERF - l:2000mm	Mounting rail TS 35, unslotted, size 7,5 mm, length 2 m, material steel. galv. zinc-plated and dichromated
98.300.1000.0	Mounting rail TS 35x7,5 PERF 15mm - l:2000mm	Mounting rail TS 35, slotted, size 7,5 mm, length 2 m, material steel. galv. zinc-plated and dichromated
98.300.1800.0	Mounting rail TS 35x7,5 PERF 18mm - l:2000mm	Mounting rail TS 35, slotted, size 7,5 mm, length 2 m, material steel. galv. zinc-plated and dichromated
98.300.1900.0	Mounting rail TS 35x7,5 PERF 25mm - l:2000mm	Mounting rail TS 35, slotted, size 7,5 mm, length 2 m, material steel. galv. zinc-plated and dichromated
98.360.0000.0	Mounting rail TS 35x15-2,3 UNPERF - l:2000mm	Mounting rail TS 35, unslotted, size 15 mm, length 2 m, material steel. galv. zinc-plated and dichromated
98.360.0004.0	Mounting rail TS 35x15-2,3 UNPERF FZN - l:2000mm	Mounting rail TS 35, unslotted, size 15 mm, length 2 m, material steel, hot galvanized
98.370.0000.0	Mounting rail TS 35x15 UNPERF - l:2000mm	Mounting rail TS 35, unslotted, size 15 mm, length 2 m, material steel. galv. zinc-plated and dichromated
98.370.1000.0	Mounting rail TS 35x15 PERF 15mm - l:2000mm	Mounting rail TS 35, slotted, size 15 mm, length 2 m, material steel. galv. zinc-plated and dichromated
98.380.0000.0	Mounting rail TS 35x15-2,3 UNPERF CU - l:2000mm	Mounting rail TS 35, unslotted, size 15 mm, length 2 m, material E copper
04.242.8053.0	Marking tag strips 9705 A / 8 / 10	Marking tag strips for DIN rail terminal blocks type 9700 A / 8..., 10 tags per strip, color: blue, unmarked, markable with Wieplot plotter-system

Technische Daten technical data

	IEC	UL	cUL
Bemessungsspannung V rated voltage V	1000	1000	600
Bemessungsstrom A rated current A	269	310	310
Bemessungsquerschnitt mm ² rated cross section mm ²	120		
AWG	10-Kcmil 250		
Bemessungsstoßspannung kV rated voltage kV	8		
Verschmutzungsgrad pollution degree	3		
Brennbarkeitsklasse nach UL94 flamability rating	V0		
Klemmbereich mm ² clamping range mm ²	≤ 120		
Bolzensgröße bolt size	M10		

Zubehör/accessories:

- 07.431.7253.8 Abdeckung/Cover
- 07.201.5227.6 Verbindungssteg/Jumper bar (2)
- 07.201.5327.6 Verbindungssteg/Jumper bar (3)



Aufnahme für Bez.-Schilder
marking tag carrier

Weitere Daten siehe Katalog
further data see catalog

Tolerierung Size ISO 14405 (E)/Tolerance system Size ISO 14405 (E). (This ISO-standard describes the envelope principle. According to the envelope principle the deviations of form and parallelism are limited by the size tolerances).				ja/yes <input checked="" type="checkbox"/> Stoffverbots- und Deklarationsliste nach UU-TOM-05/03 ist einzuhalten. Conformity with Wieland document UU-TOM-05/03 (list of prohibited / declarable hazardous substances) to be declared!			
Freitoleranz nach General tolerance		CAD - Zeichnung, keine manuellen Änderungen CAD - drawing, no manual modifications allowed		1. Verwendung: First Use:		Blatt: 1 von 1 Sheet: of 1	
/		Werkstoff/Material		2014 Tag/Date		Name	
/ Maßstab/Scale		Kieselgrau ähnl. RAL 7032		gezeichnet drawn 06.05.		Schmitt J.	
/ 1:1		pebble grey sim. RAL 7032		geprüft checked -		-	
/ Vol.		mm ³ Ofl./Surf.		Normgepr. Stand. check -		-	
/		Ersatz für/Replacement for: -		Type		Benennung/Tittle	
/		www.wieland-electric.com		WRT 120		BOLZENKLEMME	
Index		Datum / Blatt Date / Sheet		M10		stud terminal	
Änderung/Revision							

Weitergabe sowie Vervielfältigung dieses Dokuments, Verwertung und Mitteilung seines Inhalts sind verboten, soweit nicht ausdrücklich gestattet. The reproduction, distribution and utilization of this document as well as the communication of its contents to others without express authorization is prohibited.

561971055001K_2 CADW3029 Schmitt: 2014-05-07/08:07:31 1.000