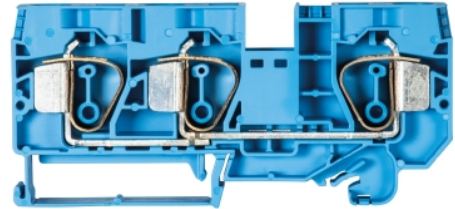


## Data sheet

Commercial Art.No.: 56.716.5055.6

Feed-through terminal WKFN 16 D1/2/35 BLAU

Feed-through terminal with tension spring connection for mounting on TS35/ TS 32, nominal cross section: 16 mm<sup>2</sup>, width: 12 mm, color: blue



|                    |               |
|--------------------|---------------|
| Commercial Art.No. | 56.716.5055.6 |
| EAN                | 4015573906471 |
| Order Unit         | 25            |

Certificates / Approvals



## Technical data

### General

|  |                                |
|--|--------------------------------|
| Nominal cross section                                      | 16 mm <sup>2</sup>             |
| Color  | Blue                           |
| Number of levels   | 1                              |
| Number of clamp positions per level                        | 3                              |
| Width/grid dimension                                       | 12 mm                          |
| Insulating housing   | PA666                          |
| Inflammability class of insulation material acc. with UL94 | V0                             |
| Explosion-tested version "Ex e"                            | No                             |
| Mounting method  | DIN rail (top hat rail)/G-rail |
| Terminal blocks for electrical installations               | yes                            |

### Technical data

|                             |               |
|-----------------------------|---------------|
| Rated current               | 76 A          |
| Rated voltage               | 800 V         |
| Rated impulse voltage       | 8 kV          |
| Pollution degree            | 3             |
| Closing plate required      | yes           |
| Type of insulation material | Thermoplastic |
| Length                      | 106.7 mm      |

### Connection Data

|                                     |                         |
|-------------------------------------|-------------------------|
| Connection type 1                   | spring clamp connection |
| Connection type 2                   | spring clamp connection |
| Minimum cross section solid         | 0.2 mm <sup>2</sup>     |
| Maximum cross section solid         | 10 mm <sup>2</sup>      |
| Minimum cross section fine stranded | 0.2 mm <sup>2</sup>     |
| Maximum cross section fine stranded | 16 mm <sup>2</sup>      |

|                                |                    |
|--------------------------------|--------------------|
| Minimum cross section stranded | 16 mm <sup>2</sup> |
| Maximum cross section stranded | 25 mm <sup>2</sup> |
| Wire strip length              | 16 mm              |

#### Technical Data UL/CSA

|                        |          |
|------------------------|----------|
| Cross section UL       | 16-4 AWG |
| Voltage UL             | 600 V    |
| Current factory wiring | 85 A     |
| Current field wiring   | 85 A     |
| Cross section CSA      | 16-4 AWG |
| Voltage CSA            | 600 V    |
| Current CSA            | 85 A     |

#### Classification

|            |          |
|------------|----------|
| ECLASS 11  |          |
| ECLASS 8.1 | 27141120 |
| ETIM 7.0   | EC000897 |
| ETIM 6.0   | EC000897 |
| ETIM 5.0   | EC000897 |
| ETIM 4.0   | EC000897 |
| ETIM 3.0   | EC000897 |

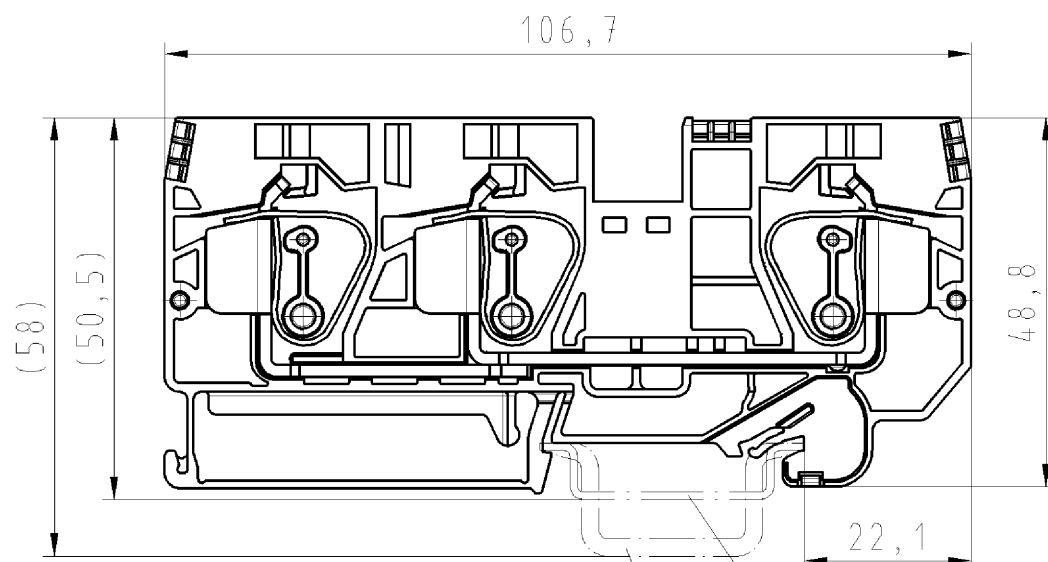
#### Product compliance

|                              |           |
|------------------------------|-----------|
| ROHS conformity status       | Compliant |
| REACH-SVHC conformity status | Compliant |

#### Accessories

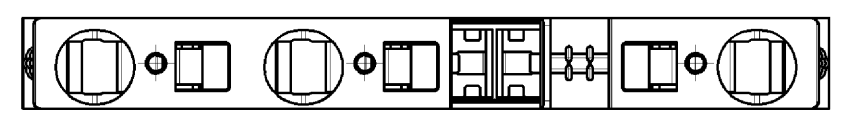
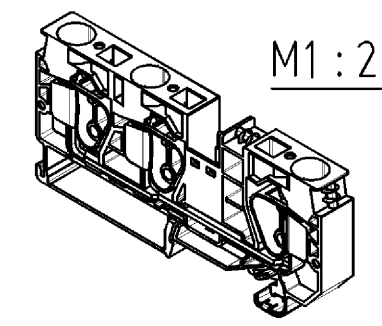
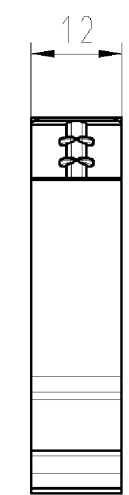
| Commercial Art.No.: | Article-type description:                        | Description:   |
|---------------------|--|--|
| Z7.284.4227.0       | Jumper bar IVBWKF 16- 2                          | Cross connector, insulated for DIN rail terminal blocks type WKF..., 2 - pole                              |
| 98.300.0000.0       | Mounting rail TS 35x7,5 UNPERF - l:2000mm        | Mounting rail TS 35, unslotted, size 7,5 mm, length 2 m, material steel. galv. zinc-plated and dichromated |
| 98.300.1000.0       | Mounting rail TS 35x7,5 PERF 15mm - l:2000mm     | Mounting rail TS 35, slotted, size 7,5 mm, length 2 m, material steel. galv. zinc-plated and dichromated   |
| 98.300.1900.0       | Mounting rail TS 35x7,5 PERF 25mm - l:2000mm     | Mounting rail TS 35, slotted, size 7,5 mm, length 2 m, material steel. galv. zinc-plated and dichromated   |
| 98.360.0000.0       | Mounting rail TS 35x15-2,3 UNPERF - l:2000mm     | Mounting rail TS 35, unslotted, size 15 mm, length 2 m, material steel. galv. zinc-plated and dichromated  |
| 98.360.0004.0       | Mounting rail TS 35x15-2,3 UNPERF FZN - l:2000mm | Mounting rail TS 35, unslotted, size 15 mm, length 2 m, material steel, hot galvanized                     |
| 98.370.0000.0       | Mounting rail TS 35x15 UNPERF - l:2000mm         | Mounting rail TS 35, unslotted, size 15 mm, length 2 m, material steel. galv. zinc-plated and dichromated  |
| 98.370.1000.0       | Mounting rail TS 35x15 PERF 15mm - l:2000mm      | Mounting rail TS 35, slotted, size 15 mm, length 2 m, material steel. galv. zinc-plated and dichromated    |
| 98.380.0000.0       | Mounting rail TS 35x15-2,3 UNPERF CU - l:2000mm  | Mounting rail TS 35, unslotted, size 15 mm, length 2 m, material E copper                                  |
| 07.313.1455.0       | End plate APFN 16 D1/2/35                        | End plate for DIN rail terminal blocks type WKFN 16 D1/2..., color: grey                                   |
| 07.313.1455.6       | End plate APFN 16 D1/2/35 BL                     | End plate for DIN rail terminal blocks type WKFN 16 D1/2..., color: blue                                   |

|               |  |  |
|---------------|--|--|
| 07.313.1455.7 | End plate APFN 16 D1/2/35 G                  | End plate for DIN rail terminal blocks type WKFN 16 D1/2..., color: green                                |
| 07.313.1555.0 | Partition TWFN 16 D1/2/35                    | Partition for DIN rail terminal blocks type WKFN 16 D1/2..., color: grey                                 |
| 98.300.1800.0 | Mounting rail TS 35x7,5 PERF 18mm - l:2000mm | Mounting rail TS 35, slotted, size 7,5 mm, length 2 m, material steel. galv. zinc-plated and dichromated |



Hutschiene EN 60715-35x7,5  
mounting rail EN 60715-35x7,5

Hutschiene EN 60715-35x15  
mounting rail EN 60715-35x15



| T-Nr.<br>part-no. | Farbe<br>colour | Typ<br>type          |
|-------------------|-----------------|----------------------|
| 56.716.5055.0     | grau<br>grey    | WKFN 16 D1/2/35      |
| 56.716.5055.6     | blau<br>blue    | WKFN 16 D1/2/35 BLAU |

Weitere Daten siehe Katalog  
further data see catalog

|  |                               |   |                                |
|--|-------------------------------|---|--------------------------------|
| Tolerierung nach DIN 7167/Tolerance system acc. to DIN 7167.<br>(This DIN-standard describes the envelope principle. According to the envelope principle the deviations of form and parallelism are limited by the size tolerances). |                               | ja/yes <input checked="" type="checkbox"/> Stoffverbots- und Deklarationsliste nach UU-TQM-05/03 ist einzuhalten.<br>Conformity with Wieland document UU-TQM-05/03 (list of prohibited / declarable hazardous substances) to be declared! |                                |
| Freitoleranz nach<br>General tolerance   |                               | CAD - Zeichnung, keine manuellen Änderungen<br>CAD - drawing, no manual modifications allowed   | 1. Verwendung: -<br>First Use: |
| Blatt: 1 von 1<br>Sheet: of 1  |                               | Zeichnung Nr./Drawing No.   |                                |
| /  |                               | Werkstoff/Material  | Index                          |
| /  |                               | 2007 Tag/Date   | Name                           |
| /  |                               | gezeichnet<br>drawn   | 27.06. Bauer F.                |
| /  |                               | geprüft<br>checked  | -                              |
| /  |                               | Normgepr.<br>Stand. check   | -                              |
| /  |                               | Maße in mm/Dimensions are in mm   |                                |
| /  |                               | Ersatz für/Replacement for: -   |                                |
| /  |                               | Type  |                                |
| /  |                               | Benennung/Title   |                                |
| /  |                               | DUO_DURCHGANGSKLEMME  |                                |
| /  |                               | fasis pro Federkraftanschluß 16mm <sup>2</sup>  |                                |
| /  |                               | three level terminal with spring clamp connection   |                                |
| Index  | Datum / Blatt<br>Date / Sheet | wieland   |                                |
| Änderung/Revision  |                               | Elektrische Verbindungen  |                                |

These dimensions will be especially checked at delivery  
 Only inspection dimensions  
 With /E marked dimensions are only valid for internal use  
 Diese Maße werden bei Abnahme besonders geprüft  
 Ausschließlich Prüfmaße  
 Mit /E gekennzeichnete Maße sind nur für interne Zwecke gültig

Weitergabe sowie Vervielfältigung dieses Dokuments, Verwertung und Mitteilung  
 seines Inhalts sind verboten, soweit nicht ausdrücklich gestattet.  
 The reproduction, distribution and utilization of this document as well as the  
 communication of its contents to others without express authorization is prohibited.

56716505501K\_4\_CADW1032\_Bauer 2007-06-27T08:14:43 1:000 QU-PEM-08/91