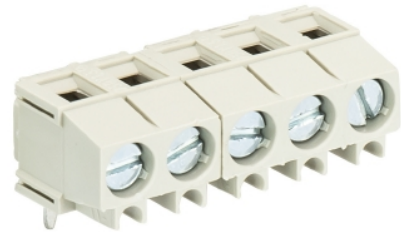


## Data sheet

Commercial Art.No.: 25.193.9353.0

Printed circuit board terminal 8292 / 3 ZN OB

PCB terminal with screw connection with rising cage clamp system, 3 poles, with insulating plate, with solder pin (3.5mm), max. cross section: 2.5 mm<sup>2</sup>, pitch: 5.08 mm, type of packing: carton, color: grey



Commercial Art.No.	25.193.9353.0
EAN	4015573179356
Order Unit	100

Certificates / Approvals



## Technical data

### General

Modular spacing	5.08 mm
Connection type	screw connection
Soldering process	Wave soldering
Packaging	Carton
Number of poles	3
Conductor to circuit board	180°
Number of levels	1
Integrated test socket	yes
Insulation plate	yes
Retaining pins	yes
Marking	No

### Technical data

Nominal cross section	1.5 mm <sup>2</sup>
Rated current	10 A
Overvoltage Category I	1000 V
Overvoltage Category II	690 V
Overvoltage Category III	250 V
Rated impulse voltage	4 kV
Wire strip length	6 mm

### Connection Data

Minimum cross section solid	0.14 mm <sup>2</sup>
Maximum cross section solid	2.5 mm <sup>2</sup>
Minimum cross section fine stranded	0.14 mm <sup>2</sup>
Maximum cross section fine stranded	1.5 mm <sup>2</sup>
Wire strip length	6 mm

Cross section UL	30-14 AWG
Voltage UL	300 V
Current field wiring	15 A
Current factory wiring	16 A
Cross section CSA	30-14 AWG
Voltage CSA	300 V
Current CSA	15 A

**Other**

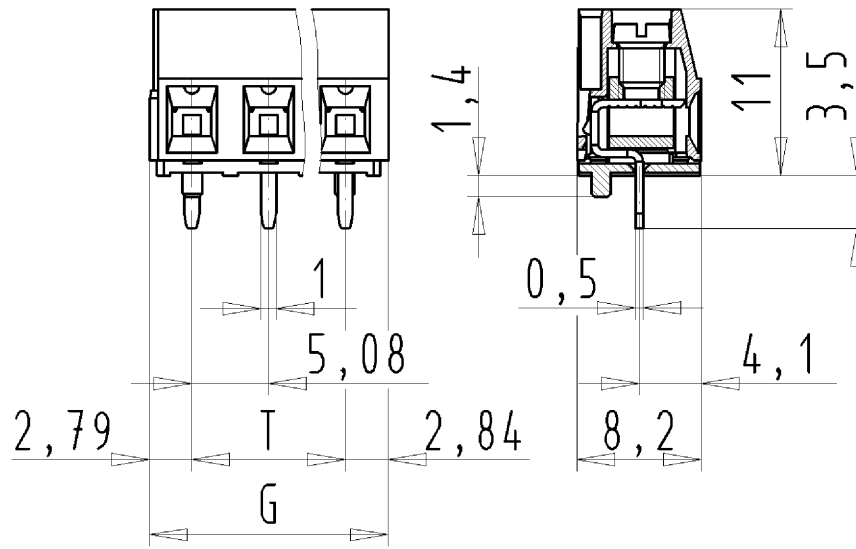
Type of insulation material	Thermoplastic
Color	Grey
Height	11 mm
Length	15.79 mm
Depth	8.2 mm
Material attachment screw	Steel
Material contact base	CuSn
Material contact surface	Sn

**Classification**

ECLASS 11	
ECLASS 8.1	27440401
ETIM 7.0	EC002643
ETIM 6.0	EC002643
ETIM 5.0	EC002643
ETIM 4.0	EC002643

**Product compliance**

ROHS conformity status	Compliant/Exempted
ROHS exceptions	III-6(c)
REACH-SVHC conformity status	Duty-To-Declare
REACH-SVHC substances	Lead
REACH-SVHC CAS numbers	7439-92-1



für folgende Tabellen-Zchnng.  
 25.193.9353.0 8292/.. ZN 0B

LP.KLEMME  
 25.193.9253.0 10W  
 09.11.2007 DÜT  
 M 2:1