

## DETAILS

<b>Product Number</b>	C10818_STRADA-A
<b>Family</b>	Strada-A
<b>Type</b>	Lens
<b>Color</b>	clear
<b>Diameter</b>	19,6 +15,4 mm
<b>Height</b>	10,5 mm
<b>Style</b>	rectang
<b>Optic Material</b>	PMMA
<b>Holder Material</b>	
<b>Fastening</b>	glue, screw
<b>Status</b>	production ready
<b>ROHS Compliant</b>	Yes
<b>Date Updated</b>	7/03/2014



## OPTICAL PROPERTIES

LED	Viewing Angle	Light Beam	Efficiency	cd/lm	Connector
XP-E	68+136 deg	Streetligh...	93 %	1.100	-
XP-G	80+144 deg	Streetligh...	93 %	0.850	-
Z5	sim: 135+65	Streetligh...	-	-	-

D

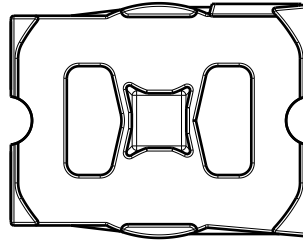
C

B

A

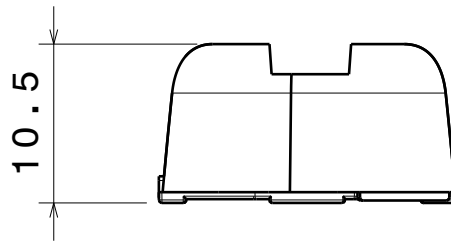
4

4



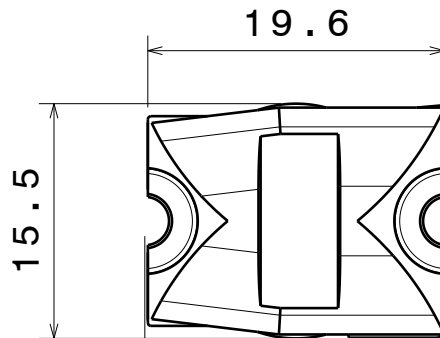
3

3



2

2



Material: PMMA

Lens is centered to LED using leds base as guide.

20

c / c

This drawing is our property. It can't be reproduced or communicated without our written agreement.



L  
T  
F  
F

e  
e  
i  
i  
N  
n

d  
h

DRAWING TITLE

Datasheet Strada-A-XP Lens

DRAWN BY

DATE

p

24.11.2008

CHECKED BY

DATE

t

k

24.11.2008

SIZE

A4

DRAWING NUMBER

C10818

REV

0.1

DESIGNED BY

DATE

hh

20.11.2008

SCALE

2:1

WEIGHT (g)

SHEET

1/2

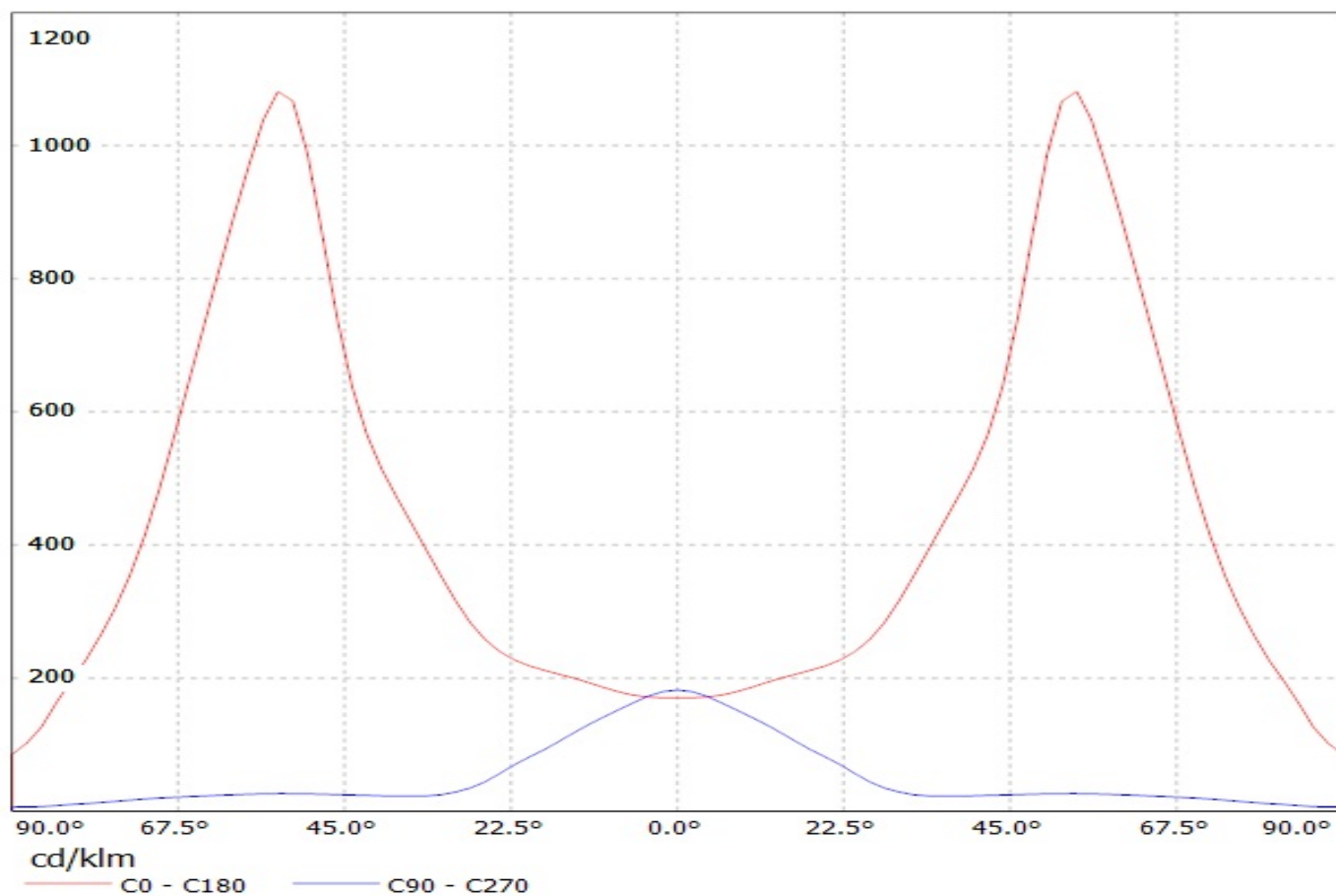
1

1

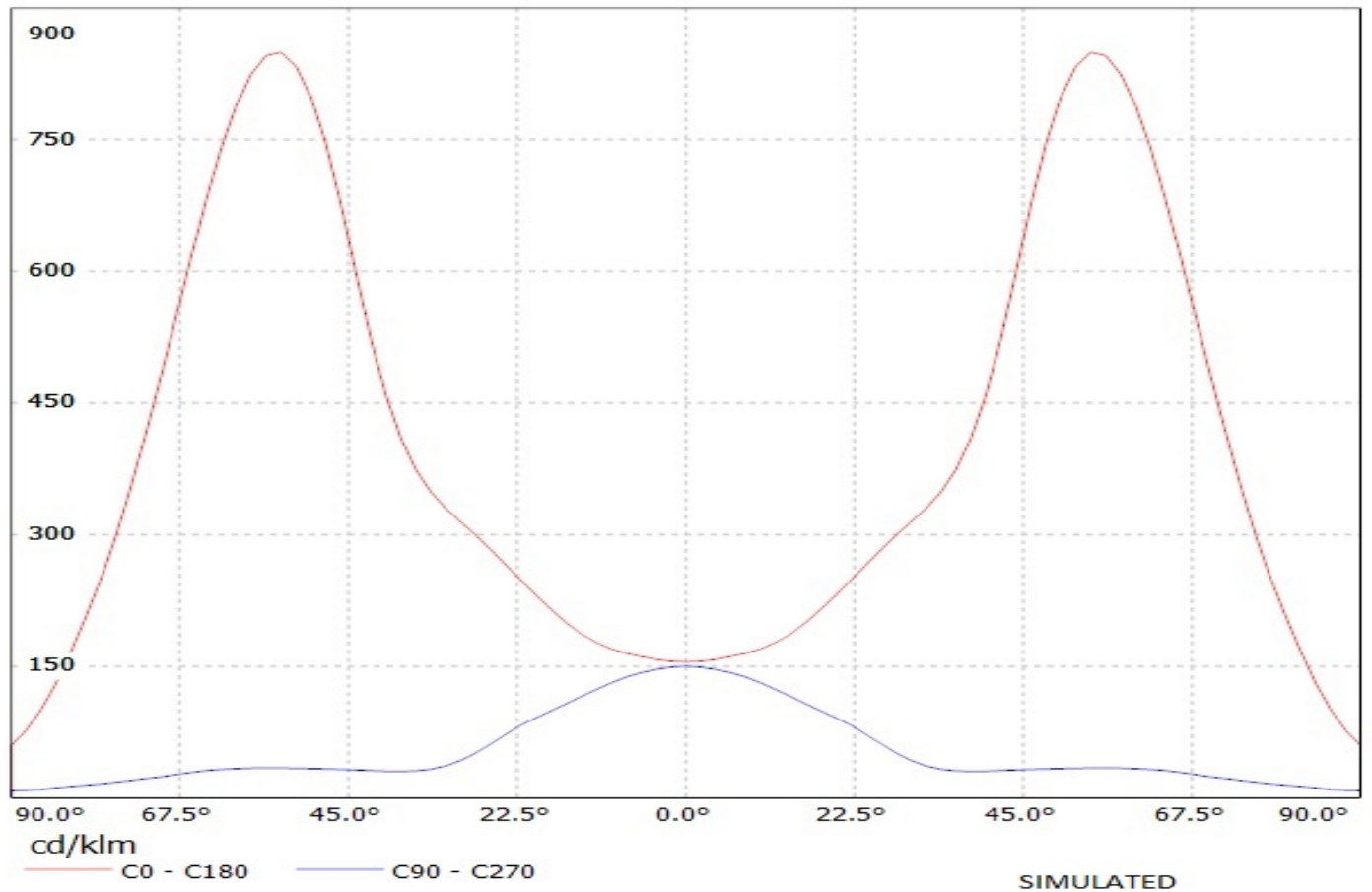
D

A

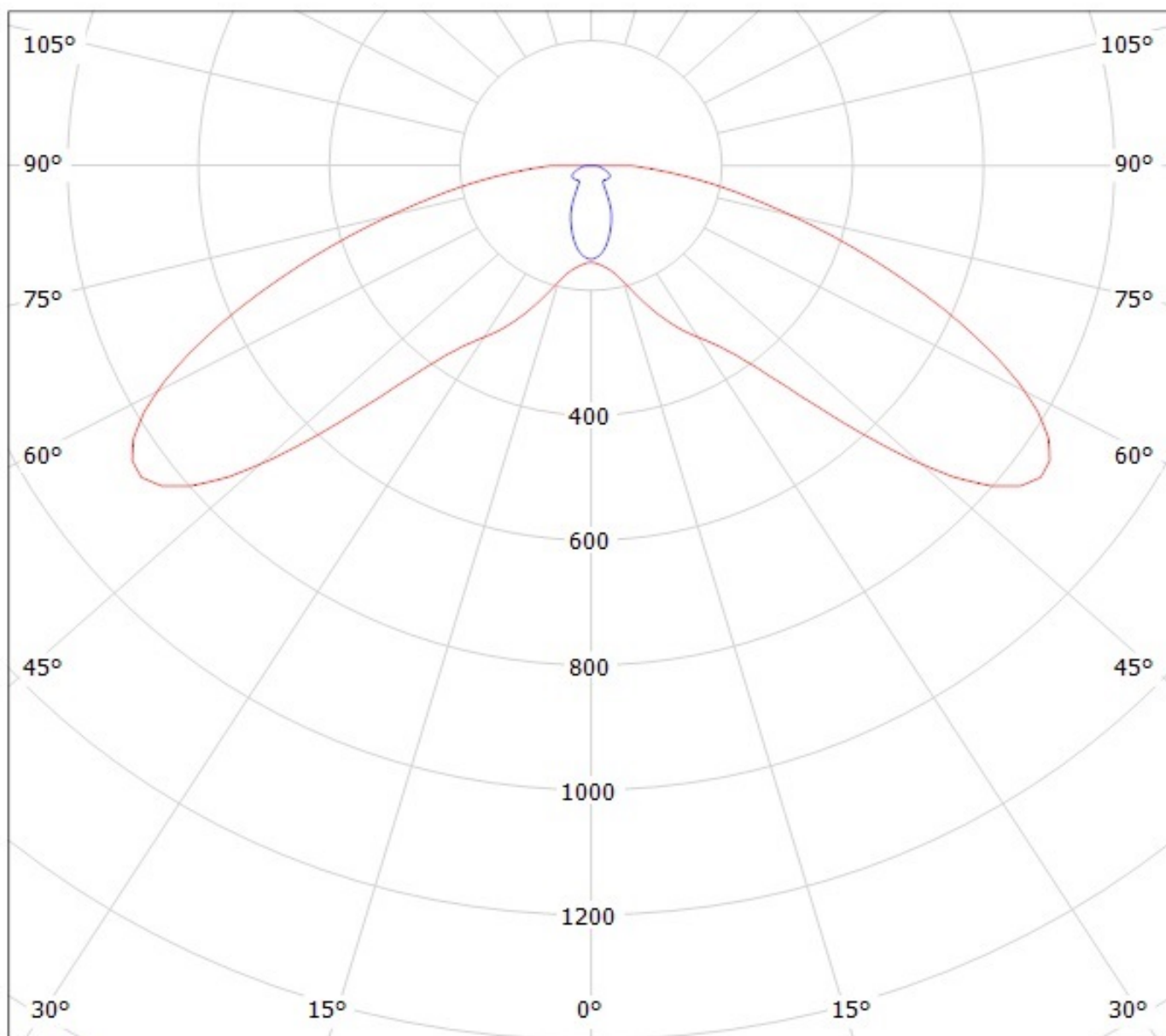
Luminaire: Ledil Oy C10818\_Strada-A-XP C10818\_Strada-A-XP  
Lamps: 1 x Cree XP-E (white)



Luminaire: Ledil Oy C10818\_Strada-A-XPG C10818\_Strada-A-XPG  
Lamps: 1 x Cree XP-G (White)



Luminaire: Ledil Oy C10818\_Strada-A-XPG C10818\_Strada-A-XPG  
Lamps: 1 x Cree XP-G (White)



cd/klm

— C0 - C180

— C90 - C270

SIMULATED

$\eta = 82\%$

**NOTE: The typical divergence will be changed by different color, chip size and chip position tolerance. The typical total divergence is the full angle measured where the luminous intensity is half of the peak value.**