

SPECIFICATIONS

Voltage rating: 300V AC,DC

Current rating: 12A,AC,DC

Withstanding voltage: 1500V AC/minute

Insulation resistance: 1000M OHM min

Temperature range: -25°C~+85°C

Material: UL94V-2 nylon 66

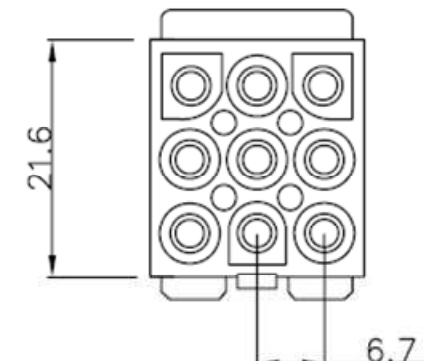
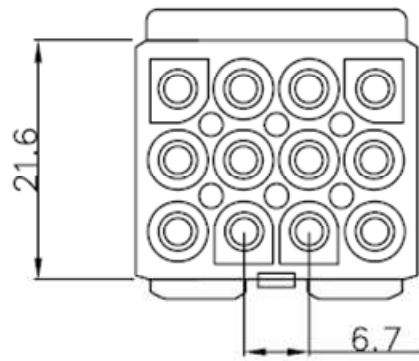
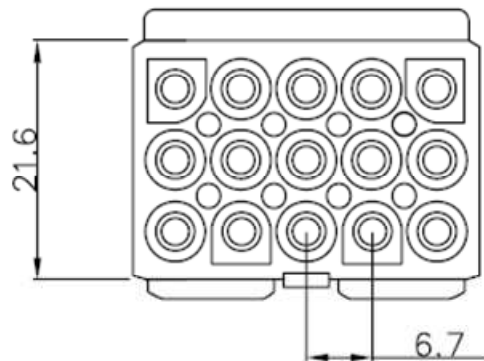
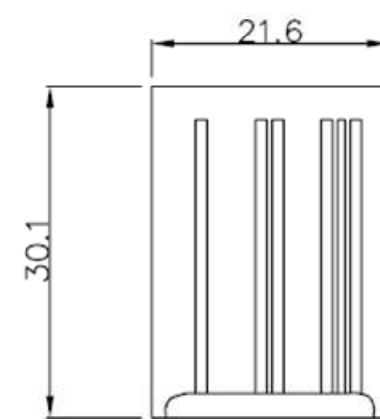
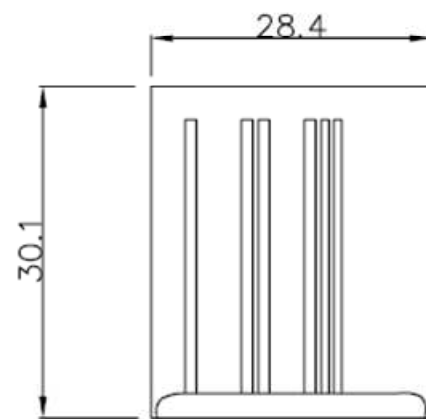
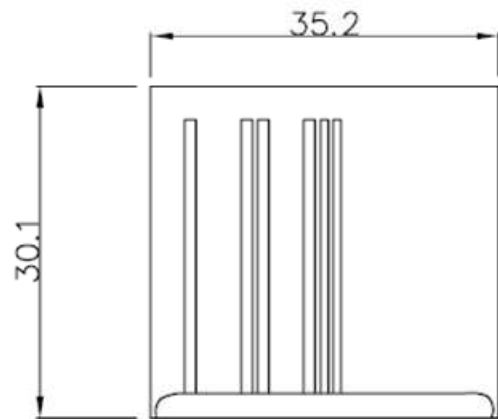
TOLERANCES ARE

.X ± 0.2

.XX ±

.XXX ±

AWG



PW 3X05M

PW 3X04M

PW 3X03M