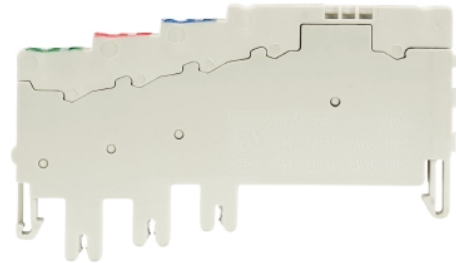


## Data sheet

Commercial Art.No.: 37.702.7553.0

Initiator terminal WKF 1.5 KOI 3L/SL

Initiator terminal with tension spring connection for mounting on TS 35, nominal cross section: 1.5 mm<sup>2</sup>, width: 5 mm, color: grey



Commercial Art.No.	37.702.7553.0
EAN	4015573550780
Order Unit	50

Certificates / Approvals



## Technical data

### General

Nominal cross section	1.5 mm <sup>2</sup>
Color	Grey
Number of levels	4
Number of clamp positions per level	1
Width/grid dimension	5 mm
Insulating housing	PA666
Inflammability class of insulation material acc. with UL94	V2
Mounting method	DIN rail (top hat rail) 35/7.5 mm
Terminal blocks for electrical installations	yes

### Technical data

Rated current	10 A
Rated voltage	65 V
Rated impulse voltage	1.5 kV
Pollution degree	3
Closing plate required	yes
Type of insulation material	Thermoplastic
Length	71 mm

### Connection Data

Connection type 1	spring clamp connection
Connection type 2	spring clamp connection
Minimum cross section solid	0.14 mm <sup>2</sup>
Maximum cross section solid	1.5 mm <sup>2</sup>
Minimum cross section fine stranded	0.14 mm <sup>2</sup>
Maximum cross section fine stranded	1.5 mm <sup>2</sup>
Wire strip length	10 mm

### Technical Data UL/CSA

Cross section UL	28-16 AWG
Voltage UL	65 V
Current factory wiring	10 A
Current field wiring	10 A
Cross section CSA	28-16 AWG
Voltage CSA	65 V
Current CSA	10 A

**Note**

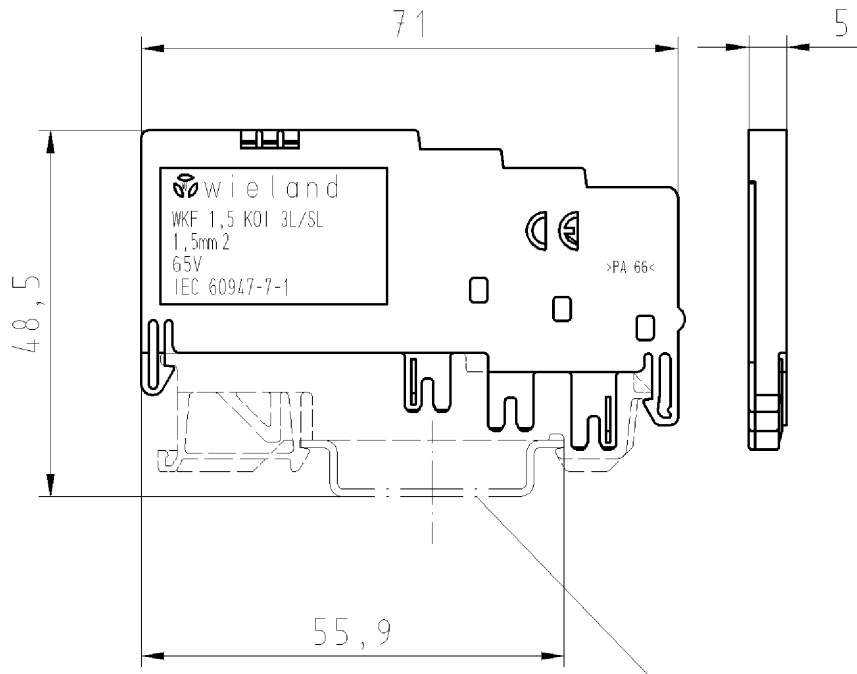
Display	None
Power supply function	No

**Classification**

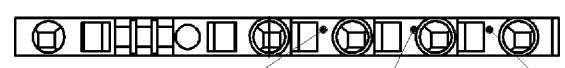
ECLASS 11	
ECLASS 8.1	27141128
ETIM 7.0	EC000900
ETIM 6.0	EC000900
ETIM 5.0	EC000900
ETIM 4.0	EC000900
ETIM 3.0	EC000900

**Product compliance**

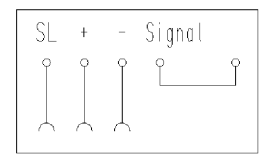
ROHS conformity status	Compliant
REACH-SVHC conformity status	Compliant



Hutschiene EN 60715-35x7,5  
mounting rail EN 60715-35x7,5



blau/blue      rot/red      grün/green



Weitere Daten siehe Katalog  
further data see catalog

Freitoleranz nach		CAD - Zeichnung, keine manuellen Änderungen			1. Verwendung: -		Bl.: 1 von 1			
	/	Maßstab	Werkstoff und Oberfläche:		2003	Tag	Zeichnung Nr.		Index	
	/				Entworfen	14.05.				Schmitt J.
	/				Geprüft	-				-
	/	Vol.	mm <sup>2</sup>	Offl.	mm <sup>2</sup>	Normgepr.	-	-	Ersatz für: -	
	/	Buchstabe	Datum / Blatt		<b>WKF 1,5</b> KOI 3L/SL	Benennung				
Änderung						<b>INITIATORENKLEMME</b> sensor terminal				
		Elektrische Verbindungen								

Weitergabe sowie Vervielfältigung dieses Dokuments, Verwertung und Mitteilung seines Inhalts sind verboten, soweit nicht ausdrücklich gestattet. Die Reproduktion, Distribution und Utilization of this document as well as the communication of its contents to others without express authorization is prohibited.

377027553001K\_4 CADW100 Schnitt: 16.05.2003 08:33:00 1.000