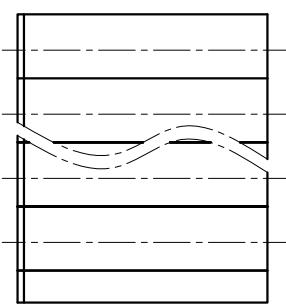
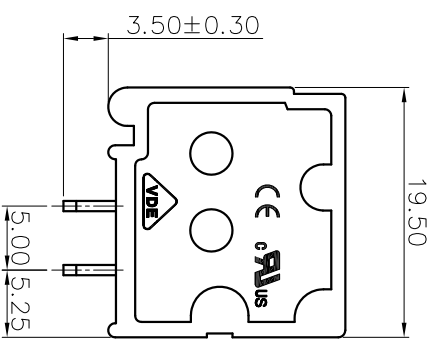
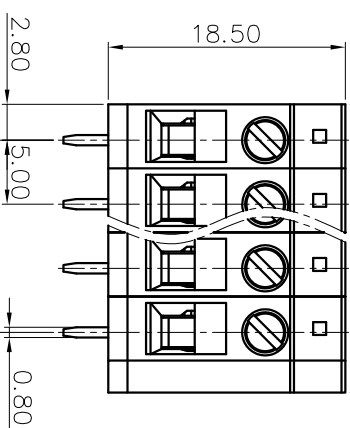
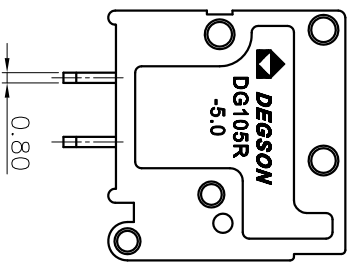


REVISION RECORD			
REV	ECN	DESCRIPTION	DRFT DATE



NX5.00+2.50

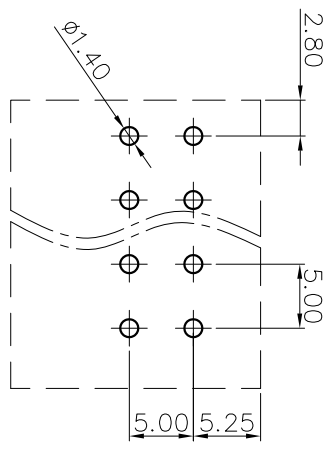
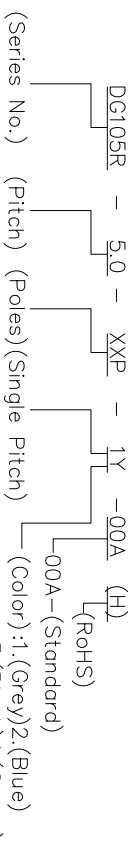


- NOTES1:
- UL Standard
 - 1. Rated voltage/current : 300V / 20A
 - 2. Torque value : M2.5 , 3.54lb.in
 - 3. Wire range : 30~12AWG
- IEC Standard
- 1. Rated voltage/current : 250V / 24A
 - 2. Torque value : M2.5 , 0.4N.m
 - 3. Wire range : 0.5~2.5mm²

- NOTES2:
- Dimension shall be interpreted per ASME Y14.5-2009
 - Pitch : 5.0mm, Poles : N=01~24P
 - Stripping length : 12~13mm
 - Withstanding voltage : AC2000V/1min
 - Operating temperature: -40°C~+105°C
 - Undimensioned tolerances:

Pitch range	in mm		Nominal dimension range		- / +	D
	Over	Under	Over	Under		
6	TO	10	30	60	100	150
TO	TO	TO	TO	TO	TO	TO
10	TO	24	30	60	100	150
±0.15	±0.20	±0.30	±0.30	±0.50	±0.70	±1.00
±1.00	±1.30	±1.30	±1.30	±1.30	±1.30	±2*

7. RoHS Compliance



PCB LAYOUT

DETACHED LISTS			
PART NO.:	/	NAME:	DEGSON NINGBO DEGSON ELECTRICAL CO., LTD 宁波高松电子有限公司
APPD:		DRFT:	
CHKD:		TITLE:	CUSTOMER DRAWING
THIRD ANGLE PROJECTION		DRAWING NO.:	/
		DO NOT SCALE DRAWING	SCALE
			1:1

A 8 7 6 5 4 3 2 1