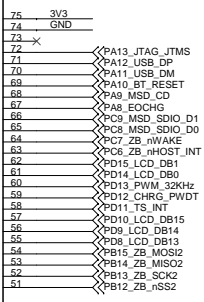
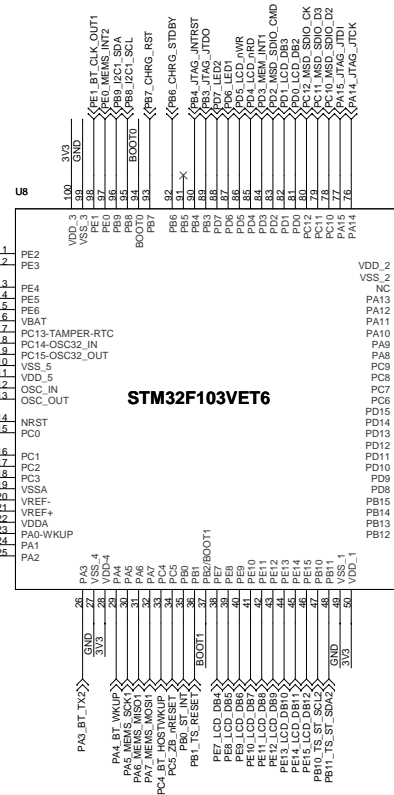
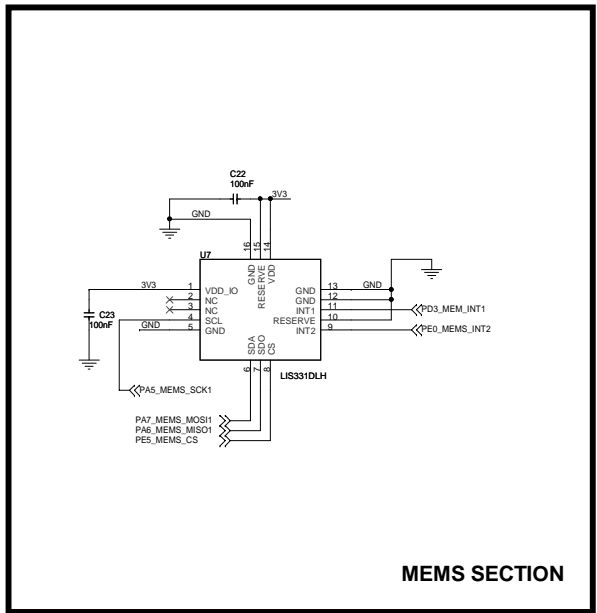
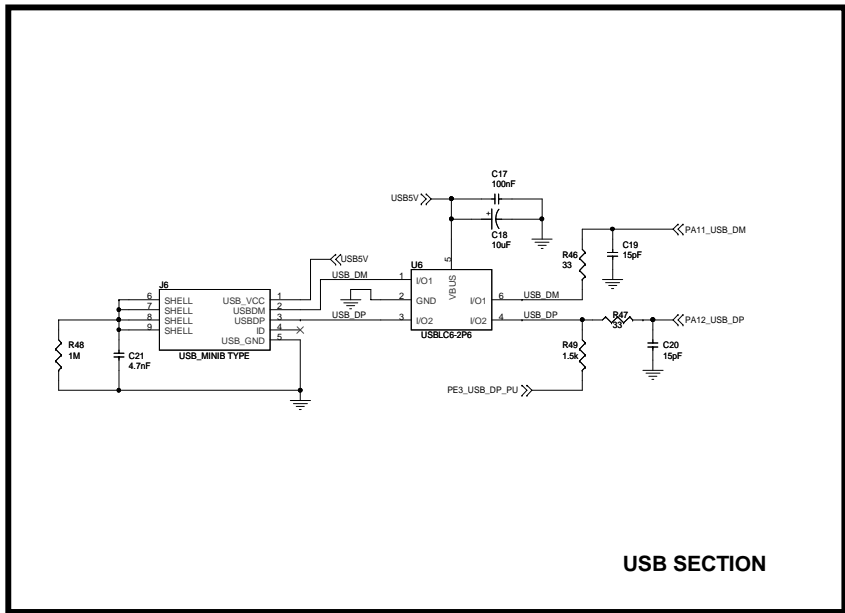
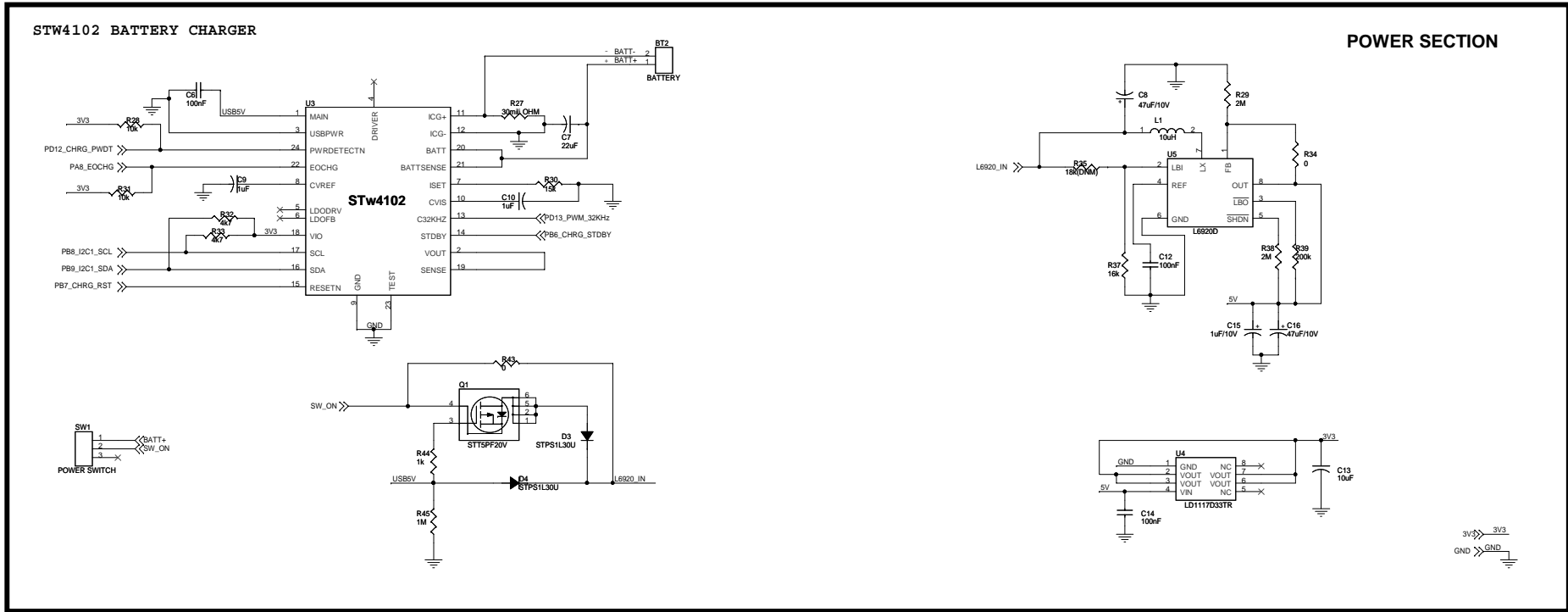


STMicroelectronics and/or its licensors do not warrant the accuracy or completeness of this specification or any information contained therein. STMicroelectronics and/or its licensors do not warrant that this design will meet the specifications, will be suitable for your application or fit for any particular purpose, or will operate in an implementation. STMicroelectronics and/or its licensors do not warrant that the design is production worthy. You should completely validate and test your design implementation to confirm the system functionality for your application.



MICROCONTROLLER SECTION

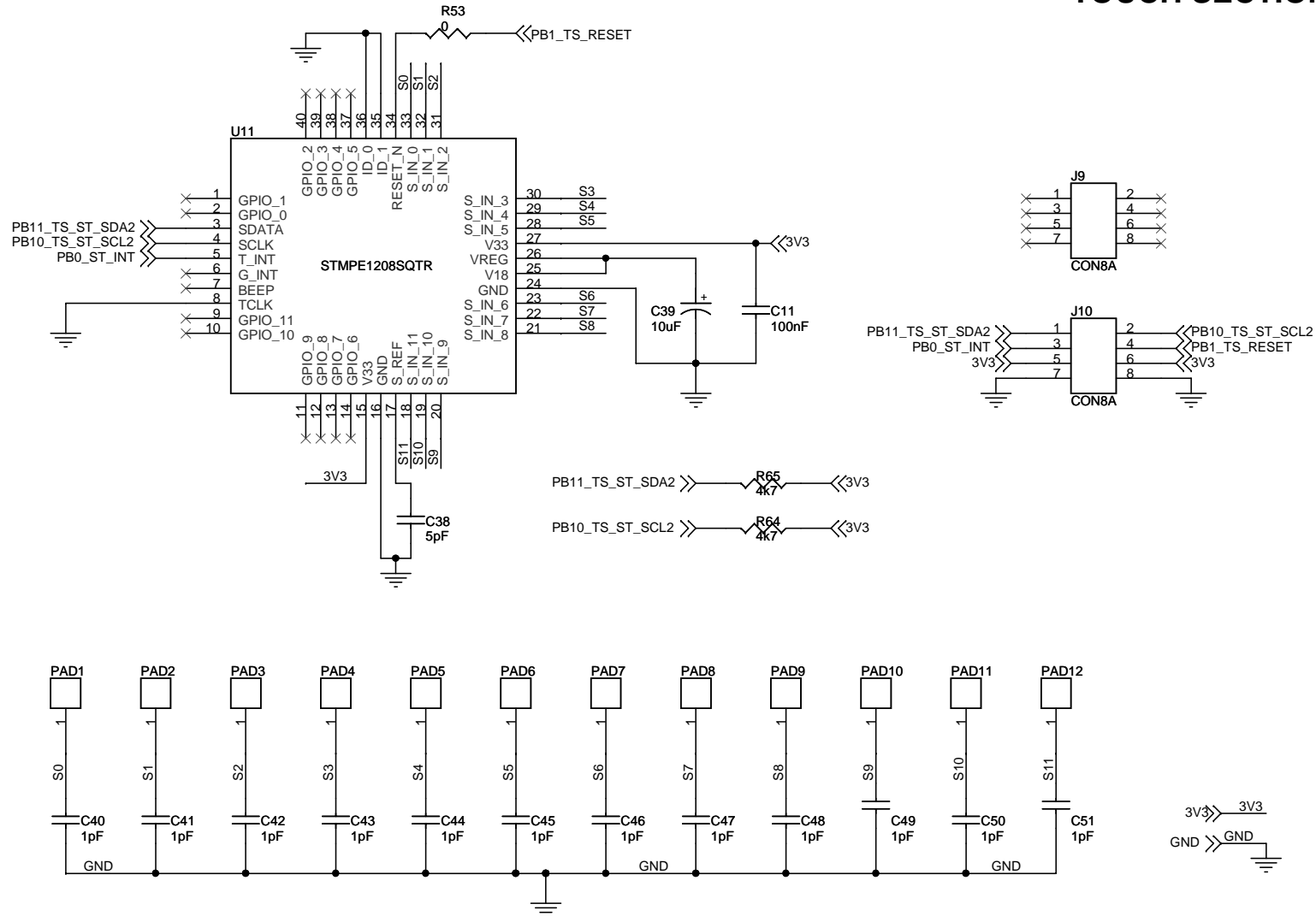
www.st.com		
Title Graphic Panel based on STM32		
Size	Document Number STEVAL-CCM001V2	Rev 2
Date:	Thursday, October 15, 2009	Sheet 3 of 3



STMicroelectronics and/or its licensors do not warrant the accuracy or completeness of this specification or any information contained therein. STMicroelectronics and/or its licensors do not warrant that this design will meet the specifications, will be suitable for your application or fit for any particular purpose, or will operate in an implementation. STMicroelectronics and/or its licensors do not warrant that the design is production worthy. You should completely validate and test your design implementation to confirm the system functionality for your application.

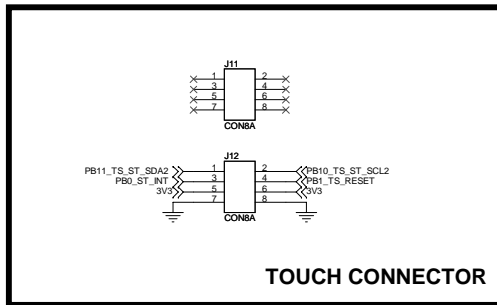
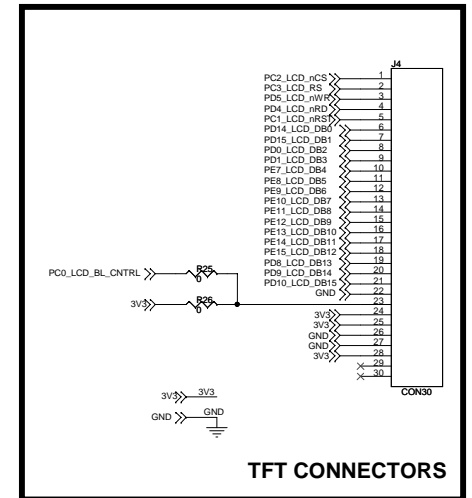
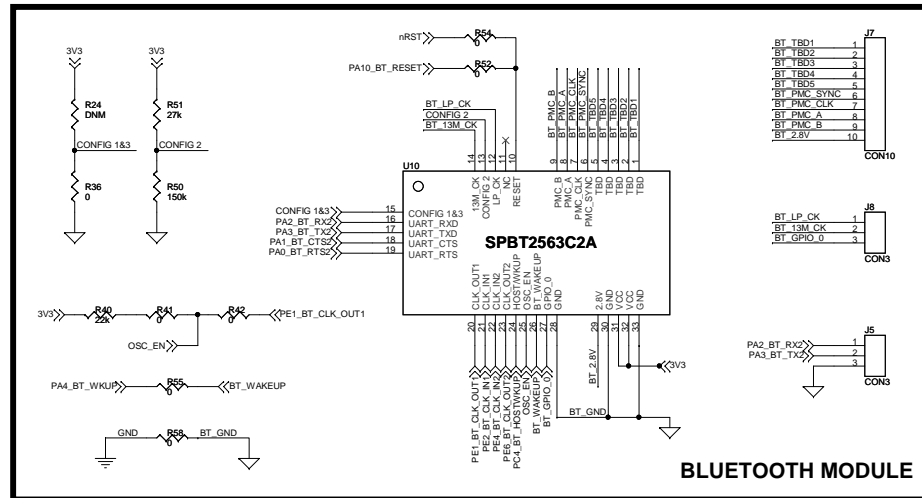
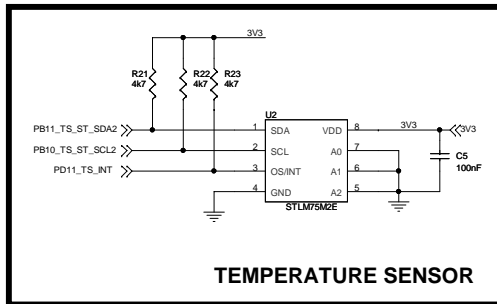
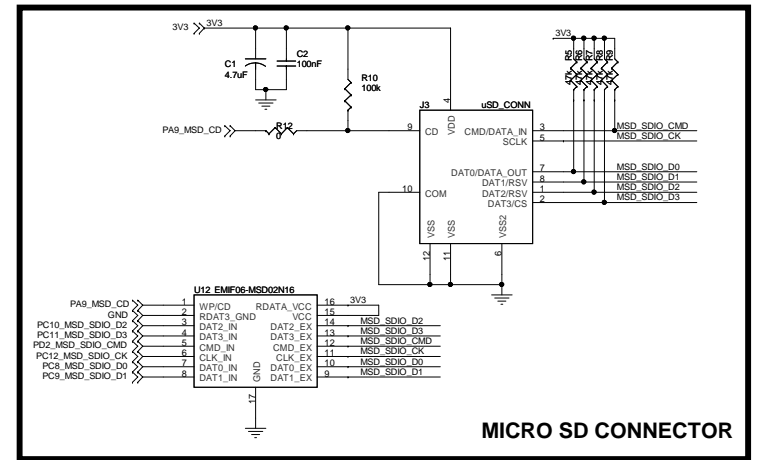
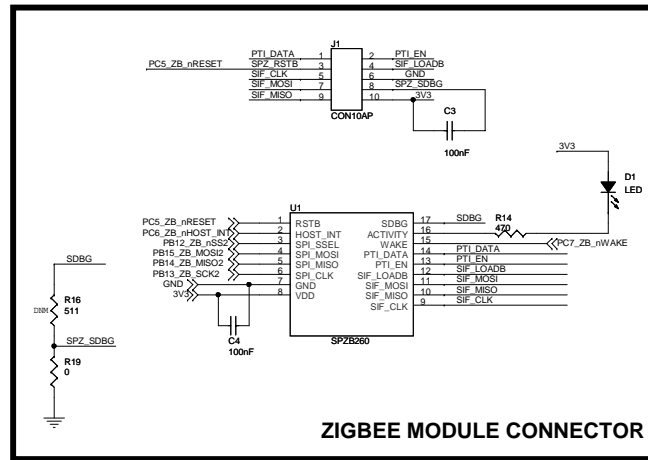
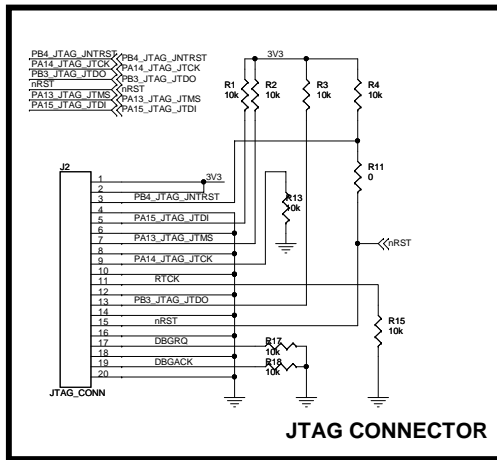
www.st.com	
Title	
Graphic Panel based on STM32	
Size	Document Number
	STEVAl-CCM001V2
Date:	Thursday, October 15, 2009
Sheet 2	of 3

TOUCH SECTION



STMicroelectronics and/or its licensors do not warrant the accuracy or completeness of this specification or any information contained therein. STMicroelectronics and/or its licensors do not warrant that this design will meet the specifications, will be suitable for your application or fit for any particular purpose, or will operate in an implementation. STMicroelectronics and/or its licensors do not warrant that the design is production worthy. You should completely validate and test your design implementation to confirm the system functionality for your application.

www.st.com		
Title Graphic Panel based on STM32		
Size	Document Number STEVAL-CCM001V2	Rev 2
Date:	Thursday, October 15, 2009	Sheet 3 of 3



STMicroelectronics and/or its licensors do not warrant the accuracy or completeness of this specification or any information contained therein. STMicroelectronics and/or its licensors do not warrant that this design will meet the specifications, will be suitable for your application or fit for any particular purpose, or will operate in an implementation. STMicroelectronics and/or its licensors do not warrant that the design is production worthy. You should completely validate and test your design implementation to confirm the system functionality for your application.

www.st.com		
Title		
Graphic Panel based on STM32		
Size	Document Number	Rev
	STEVAL-CCM001V2	2
Date:	Thursday, October 15, 2009	Sheet 1 of 3