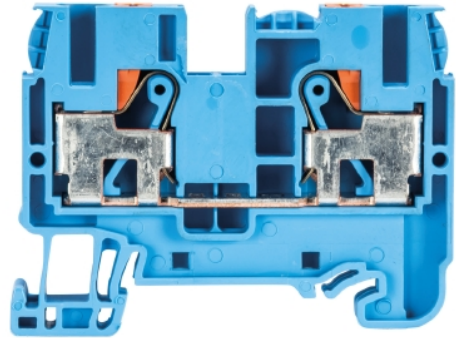


## Data sheet

Commercial Art.No.: 56.206.0055.6

Feed-through terminal WTP 6/10 BL

Feed-through terminal with push in connection for mounting on TS 35, nominal cross section: 10 mm<sup>2</sup>, width: 8 mm, color: blue



Commercial Art.No.	56.206.0055.6
EAN	4049088181610
Order Unit	100

Certificates / Approvals



## Technical data

### General

Nominal cross section	10 mm <sup>2</sup>
Color	Blue
Number of clamp positions per level	2
Width/grid dimension	8 mm
Insulating housing	PA666
Inflammability class of insulation material acc. with UL94	V0
Mounting method	DIN rail (top hat rail)

### Technical data

Rated current	57 A
Rated voltage	800 V
Rated impulse voltage	8 kV
Pollution degree	3
Closing plate required	yes
Type of insulation material	Thermoplastic
Length	58 mm

### Connection Data

Connection type	Plug-in connection
Connection type 1	Plug-in connection
Minimum cross section solid	0.2 mm <sup>2</sup>
Maximum cross section solid	10 mm <sup>2</sup>
Minimum cross section fine stranded	0.2 mm <sup>2</sup>
Maximum cross section fine stranded	10 mm <sup>2</sup>
Minimum cross section stranded	0.2 mm <sup>2</sup>

Maximum cross section stranded	10 mm <sup>2</sup>
Minimum conductor cross section (flex., stranded) with cable end sleeve	0.2 mm <sup>2</sup>
Maximum conductor cross section (flex., stranded) with cable end sleeve	10 mm <sup>2</sup>
Wire strip length	15 mm

#### Technical Data UL/CSA

Cross section UL	10-8 AWG
Voltage UL	600 V
Current factory wiring	41 A
Current field wiring	41 A
Cross section CSA	12-8 AWG
Voltage CSA	600 V
Current CSA	41 A

#### Note

Remark to rated voltage	in use with IVE WKFN 6-... rated voltage 800 V
-------------------------	--

#### Classification

ECLASS 11	
ECLASS 8.1	27141120
ETIM 7.0	EC000897
ETIM 6.0	EC000897
ETIM 5.0	EC000897
ETIM 4.0	EC000897

#### Product compliance

ROHS conformity status	Compliant
REACH-SVHC conformity status	Compliant

#### Accessories

Commercial Art.No.:	Article-type description:	Description:
Z7.282.5227.0	Insulated jumper bar IVB WKFN 6- 2	INSUL. JUMPER BAR IVB WKFN 6 - 2
Z7.282.5327.0	Insulated jumper bar IVB WKFN 6- 3	INSUL. JUMPER BAR IVB WKFN 6 - 3
Z7.282.5427.0	Insulated jumper bar IVB WKFN 6- 4	INSUL. JUMPER BAR IVB WKFN 6 - 4
Z7.282.5527.0	Insulated jumper bar IVB WKFN 6- 5	INSUL. JUMPER BAR IVB WKFN 6 - 5
98.300.0000.0	Mounting rail TS 35x7,5 UNPERF - l:2000mm	Mounting rail TS 35, unslotted, size 7,5 mm, length 2 m, material steel. galv. zinc-plated and dichromated
98.300.1000.0	Mounting rail TS 35x7,5 PERF 15mm - l:2000mm	Mounting rail TS 35, slotted, size 7,5 mm, length 2 m, material steel. galv. zinc-plated and dichromated
98.300.1900.0	Mounting rail TS 35x7,5 PERF 25mm - l:2000mm	Mounting rail TS 35, slotted, size 7,5 mm, length 2 m, material steel. galv. zinc-plated and dichromated
98.360.0000.0	Mounting rail TS 35x15-2,3 UNPERF - l:2000mm	Mounting rail TS 35, unslotted, size 15 mm, length 2 m, material steel. galv. zinc-plated and dichromated
98.360.0004.0	Mounting rail TS 35x15-2,3 UNPERF FZN - l:2000mm	Mounting rail TS 35, unslotted, size 15 mm, length 2 m, material steel, hot galvanized
98.370.0000.0	Mounting rail TS 35x15 UNPERF - l:2000mm	Mounting rail TS 35, unslotted, size 15 mm, length 2 m, material steel. galv. zinc-plated and dichromated

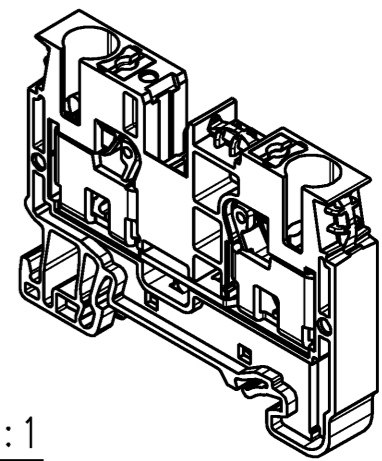
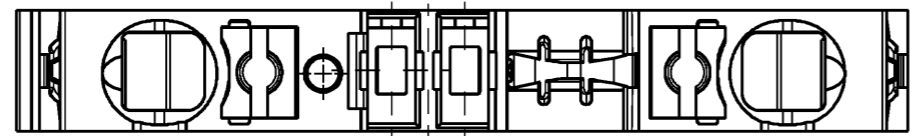
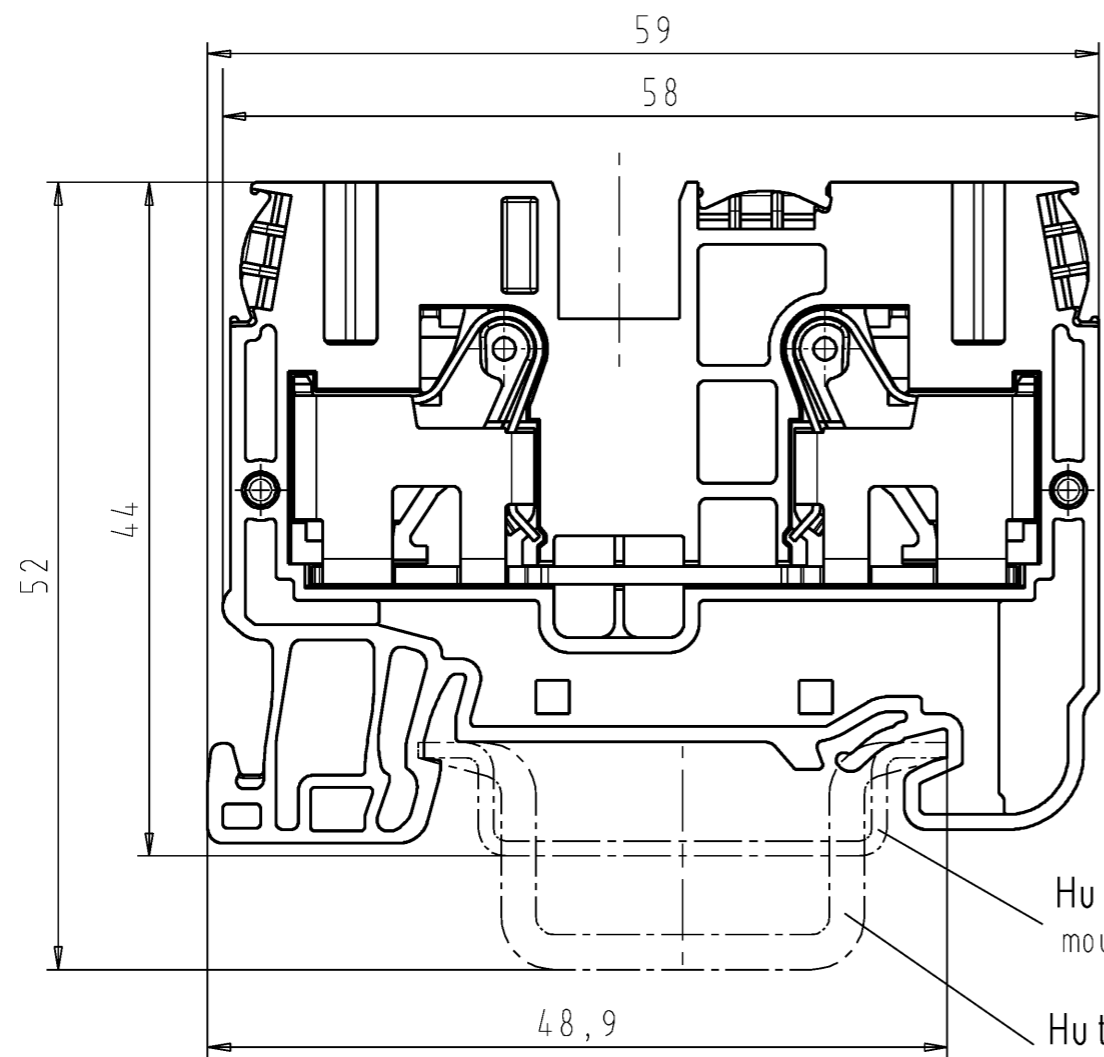
98.370.1000.0	Mounting rail TS 35x15 PERF 15mm - l:2000mm	Mounting rail TS 35, slotted, size 15 mm, length 2 m, material steel. galv. zinc-plated and dichromated
98.380.0000.0	Mounting rail TS 35x15-2,3 UNPERF CU - l:2000mm	Mounting rail TS 35, unslotted, size 15 mm, length 2 m, material E copper
07.313.4155.0	End plate WTP 6/10	End plate for DIN rail terminal blocks type WTP 6/10..., color: grey
07.313.4255.0	Partition TW 6/10	Partition for DIN rail terminal blocks type WTP 6/10..., color: grey
98.300.1800.0	Mounting rail TS 35x7,5 PERF 18mm - l:2000mm	Mounting rail TS 35, slotted, size 7,5 mm, length 2 m, material steel. galv. zinc-plated and dichromated
04.343.6253.8	Warning cover ADF 6/4 GELB	Cover with warning symbol for DIN rail terminal blocks type WKF ...
04.242.8053.0	Marking tag strips 9705 A / 8 / 10	Marking tag strips for DIN rail terminal blocks type 9700 A / 8..., 10 tags per strip, color: blue, unmarked, markable with Wieplot plotter-system

A These dimensions will be especially checked at delivery  
 Only inspection dimensions  
 With /E marked dimensions are only valid for internal use

B

C Diese Maße werden bei Abnahme besonders geprüft  
 Ausschließlich Prüfmaße  
 Mit /E gekennzeichnete Maße sind nur für interne Zwecke gültig

D



M 1:1  
 scale 1:1

Teile - Nr. part - no.	Farbe colour	Typ type
56.206.0055.0	grau grey	WTP 6/10
56.206.0055.1	schwarz black	WTP 6/10 BLACK
56.206.0055.2	weiß white	WTP 6/10 WHITE
56.206.0055.4	oxitrot oxide red	WTP 6/10 OXIDE RED
56.206.0055.5	rot red	WTP 6/10 RED
56.206.0055.6	blau blue	WTP 6/10 BLUE
56.206.0055.7	grün green	WTP 6/10 GREEN
56.206.0055.8	gelb yellow	WTP 6/10 YELLOW
56.206.0055.9	orange orange	WTP 6/10 ORANGE

Tolerierung Size ISO 14405 (E) / Tolerance system Size ISO 14405 (E). (This ISO-standard describes the envelope principle. According to the envelope principle the deviations of form and parallelism are limited by the size tolerances).		ja/yes <input checked="" type="checkbox"/> Stoffverbots- und Deklarationsliste nach WN 5020.010 ist einzuhalten. Conformity with Wieland document WN 5020.010 e (list of prohibited / declarable hazardous substances) to be declared!	
Freitoleranz nach General tolerance		CAD - Zeichnung, keine manuellen Änderungen CAD - drawing, no manual modifications allowed	1. Verwendung: First Use:
Blatt: 1 von 1 Sheet: 1 of 1		Zeichnung Nr. / Drawing No.	
Werkstoff / Material		Tag/Date	Name
Maßstab / Scale		gezeichnet drawn	22.01.2013 Eller
2:1		geprüft checked	
Vol. mm³ / Dfl./Srf. mm²		Normgepr. Stand. check	
Ersatz für / Replacement for:		Maße in mm / Dimensions are in mm	
b 09.11.2016 /		Type	
a 20.03.2014 /		Benennung/Title	
Index Datum / Blatt Date / Sheet		siehe Tabelle	
Änderung / Revision		FEED_THROUGH_TB	
www.wieland-electric.com		Durchgangsklemme Push In Terminal	

Weitergabe sowie Vervielfältigung dieses Dokuments, Verwertung und Mitteilung seines Inhalts sind verboten, soweit nicht ausdrücklich gestattet. Die Reproduktion, Distribution und Utilization of this document as well as the communication of its contents to others without express authorization is prohibited.