

## Data sheet

Commercial Art.No.: 99.238.9996.1

PCB pin header 8213 S / 8 G OB OF

PCB pin header, connection method depends on used socket part , 8 poles, pitch: 5.08 mm, type of packing: carton, color: black



|                    |               |
|--------------------|---------------|
| Commercial Art.No. | 99.238.9996.1 |
| EAN                | 4015573284234 |
| Order Unit         | 50            |

Certificates / Approvals



## Technical data

### General

|  |                |
|--|----------------|
| Modular spacing                          | 5.08 mm        |
| Soldering process                        | Wave soldering |
| Packaging                                | Carton         |
| Number of poles                          | 8              |
| Number of levels                         | 1              |
| Marking                                  | No             |
| Fastening                                | None           |
| Mating direction towards (circuit) board | 90°            |

### Technical data

|                          |        |
|--------------------------|--------|
| Rated current            | 12 A   |
| Overvoltage Category I   | 1000 V |
| Overvoltage Category II  | 400 V  |
| Overvoltage Category III | 250 V  |
| Rated impulse voltage    | 4 kV   |

### Technical Data UL/CSA

|                        |       |
|------------------------|-------|
| Voltage UL             | 300 V |
| Current field wiring   | 15 A  |
| Current factory wiring | 15 A  |
| Voltage CSA            | 300 V |
| Current CSA            | 15 A  |

### Other

|                             |               |
|-----------------------------|---------------|
| Type of insulation material | Thermoplastic |
| Color                       | Grey          |
| Height                      | 12 mm         |

|                          |          |
|--------------------------|----------|
| Length                   | 40.64 mm |
| Depth                    | 8.4 mm   |
| Material contact base    | CuZn     |
| Material contact surface | Sn       |

#### Classification

|            |          |
|------------|----------|
| ECLASS 11  |          |
| ECLASS 8.1 | 27440402 |
| ETIM 7.0   | EC002637 |
| ETIM 6.0   | EC002637 |
| ETIM 5.0   | EC002637 |
| ETIM 4.0   | EC002637 |

#### Product compliance

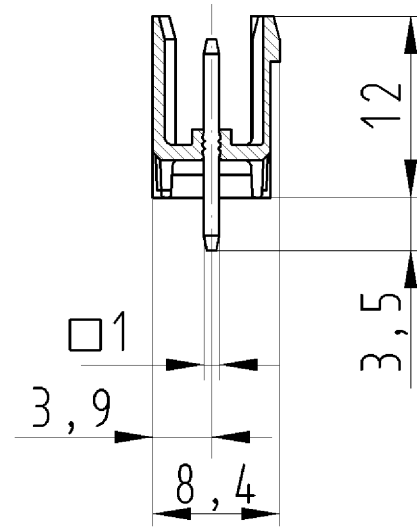
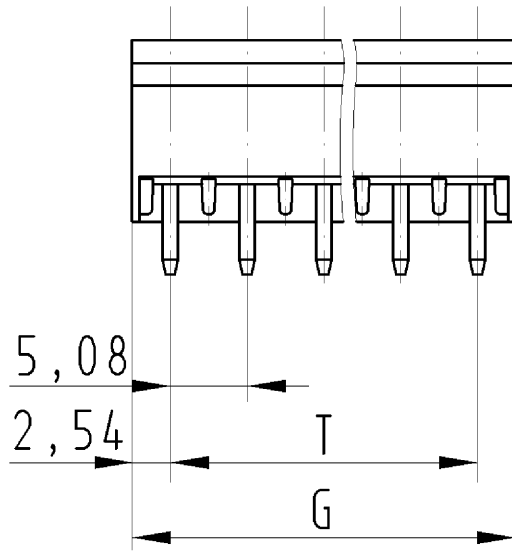
|                              |           |
|------------------------------|-----------|
| ROHS conformity status       | Compliant |
| REACH-SVHC conformity status | Compliant |

#### Fits with

| Commercial Art.No.: | Article-type description:         | Description:   |
|---------------------|-----------------------------------|--|
| 25.240.3853.0       | PCB connector 8213 B / 8 TOP OB   | PCB female connector with front/top screw connection, 8 poles, max. cross section: 2.5 mm <sup>2</sup> , pitch: 5.08 mm, type of packing: carton, color: grey                                      |
| 25.240.0853.0       | PCB connector 8213 B / 8 TOP      | PCB female connector with front/top screw connection, 8 poles, printed version, max. cross section: 2.5 mm <sup>2</sup> , pitch: 5.08 mm, type of packing: carton, color: grey                     |
| 25.340.3853.0       | PCB connector 8213 B / 8 OB       | PCB female connector with screw connection with rising cage clamp system, 8 poles, max. cross section: 2.5 mm <sup>2</sup> , pitch: 5.08 mm, type of packing: carton, color: grey                  |
| 25.340.0853.0       | PCB connector 8213 B / 8          | PCB female connector with screw connection with rising cage clamp system, 8 poles, printed version, max. cross section: 2.5 mm <sup>2</sup> , pitch: 5.08 mm, type of packing: carton, color: grey |
| 25.345.3853.0       | PCB connector 8213 B / 8 VR OB    | PCB female connector with screw connection with rising cage clamp system, 8 poles, max. cross section: 2.5 mm <sup>2</sup> , pitch: 5.08 mm, type of packing: carton, color: grey                  |
| 25.345.0853.0       | PCB connector 8213 B / 8 VR       | PCB female connector with screw connection with rising cage clamp system, 8 poles, printed version, max. cross section: 2.5 mm <sup>2</sup> , pitch: 5.08 mm, type of packing: carton, color: grey |
| 25.346.3853.0       | PCB connector 8213 B / 8 VL OB    | PCB female connector with screw connection with rising cage clamp system, 8 poles, max. cross section: 2.5 mm <sup>2</sup> , pitch: 5.08 mm, type of packing: carton, color: grey                  |
| 25.346.0853.0       | PCB connector 8213 B / 8 VL       | PCB female connector with screw connection with rising cage clamp system, 8 poles, printed version, max. cross section: 2.5 mm <sup>2</sup> , pitch: 5.08 mm, type of packing: carton, color: grey |
| 27.341.3853.0       | PCB connector 8213 B / 8 S OB     | PCB female connector, 8 poles, pitch: 5.08 mm, type of packing: carton, color: grey  |
| 25.840.3853.0       | PCB connector 8213 BFK / 8 TOP OB | PCB female connector with tension spring connection, 8 poles, max. cross section: 2.5 mm <sup>2</sup> , pitch: 5.08 mm, type of packing: carton, color: grey                                       |
| 25.840.0853.0       | PCB connector 8213 BFK / 8 TOP    | PCB female connector with tension spring connection, 8 poles, printed version, max. cross section: 2.5 mm <sup>2</sup> , pitch: 5.08 mm, type of packing: carton, color: grey                      |

|               |                                |   |
|---------------|--------------------------------|---|
| 25.343.3853.0 | PCB connector 8213 BL / 8 W OB | PCB female connector with pin header, connection method depends on usedsocket part , 8 poles, pitch: 5.08 mm, type of packing: carton, color: grey                  |
| 25.343.0853.0 | PCB connector 8213 BL / 8 W    | PCB female connector with pin header, connection method depends on usedsocket part , 8 poles, printed version, pitch: 5.08 mm, type of packing: carton, color: grey |
| 25.342.3853.0 | PCB connector 8213 BL / 8 G OB | PCB female connector with pin header, connection method depends on usedsocket part , 8 poles, pitch: 5.08 mm, type of packing: carton, color: grey                  |
| 25.342.0853.0 | PCB connector 8213 BL / 8 G    | PCB female connector with pin header, connection method depends on usedsocket part , 8 poles, printed version, pitch: 5.08 mm, type of packing: carton, color: grey |

für folgende Tabellen-Zchnng.:  
99.232.9996.1 8213 S/...GOF



LP.STIFTLEISTE  
99.232.9996.1 10W  
05.11.2007 SCJ  
M 2:1