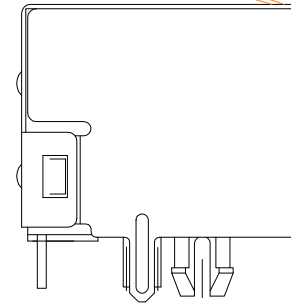


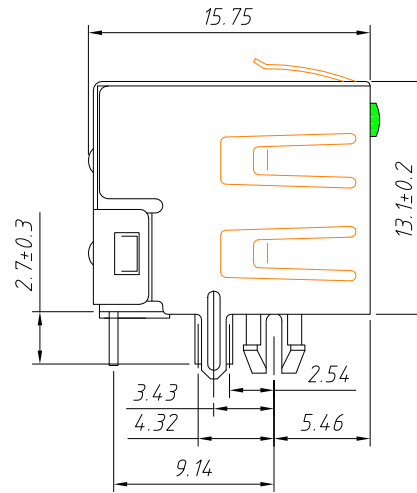
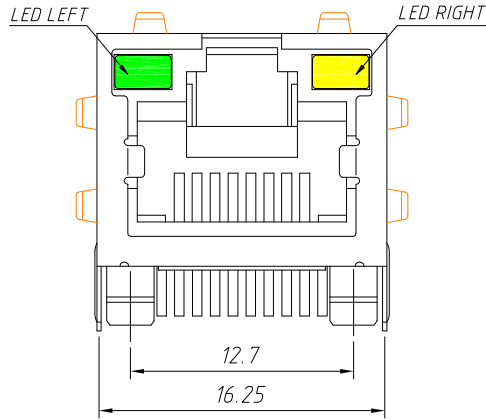
With Shield



TOP EMI Shield

Material:
 Housing: PBT+Glass Filled Polyester
 Flammability Rating: UL94V-0
 Contacts: Phosphor Bronze $\phi 0.46\text{mm}$
 Plating: Gold Plating
 Shield: Brass, Tin Plating

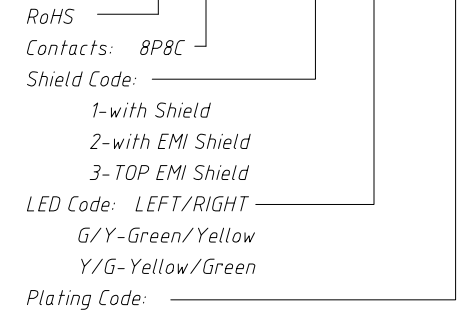
Electrical:
 Voltage Rating: 125VAC
 Current Rating: 1.5A
 Contact Resistance: $30\text{m}\Omega$ Max.
 Insulation Resistance: $500\text{M}\Omega$ Min.
 Dielectric Strength: 1000VAC Rms
 50Hz, 1 Min.
 Durability: 600 cycles Min.
 Operation Temperature: $-40^{\circ}\text{C} \sim +85^{\circ}\text{C}$



With EMI Shield

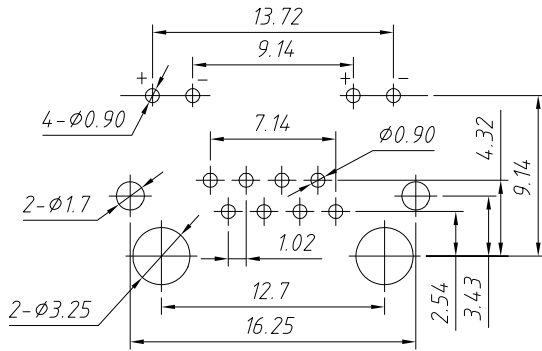
Order Information

L-KLS12-108-8P8C- 1x1 -X- G/Y-0-XX



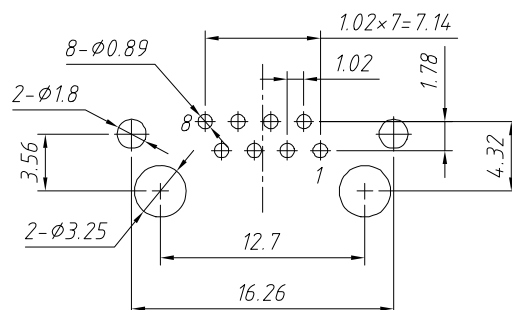
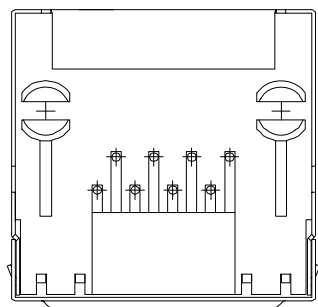
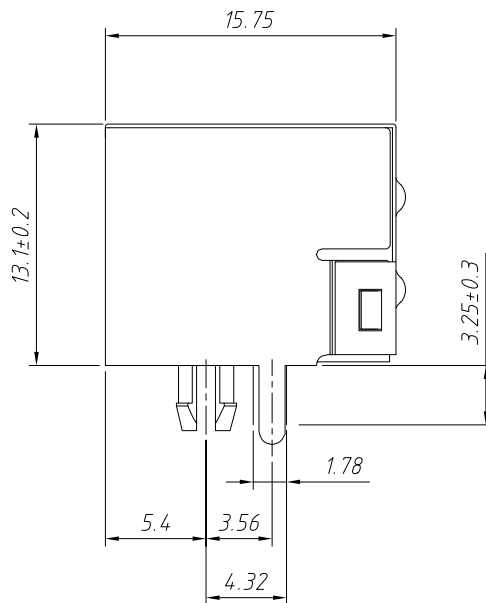
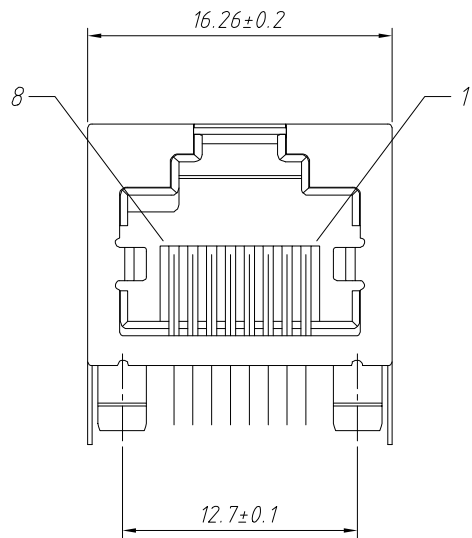
RoHS
 Contacts: 8P8C
 Shield Code:
 1-with Shield
 2-with EMI Shield
 3-TOP EMI Shield
 LED Code: LEFT/RIGHT
 G/Y-Green/Yellow
 Y/G-Yellow/Green
 Plating Code:

01-Fu" Gold Plating
 02-3u" Gold Plating
 03-6u" Gold Plating
 04-15u" Gold Plating
 05-30u" Gold Plating



PCB Layout

GENERAL TOLERANCE	PROJECTION		Description:
X ±0.30	UNITS	mm	Modular jacks with LED, RJ45-8P8C 1x1 with SHELL
X ±0.25	SCALE	1:1	
.XX ±0.20	Draw by:	Jenny	
ANGLE TOLERANCE	Check by:	Daniel	KLS P/N: L-KLS12-108-8P8C-1x1-X-X/X-0-XX
X ±3°	Date	2019-12-26	NingBo KLS ELECTRONIC CO.,LTD.
X ±2°	SHEET	1 OF 1	
.XX ±1°			



PC Board Layout

Material:

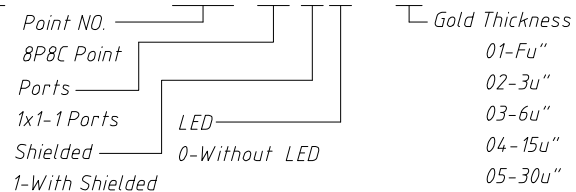
- 1.Housing:PBT,PA66,PA46, UL 94V-0
- 2.Contact:Phosphor Bronze $\phi 0.46\text{mm}$
- 3.Shield:0.20mm Thickness Copper Alloy,Nickel Plated
- 4.Plating: Gold plating over nickel.

Electrical:

- 1.Current Rating:1.5A
- 2.Voltage Rating:125VAC
- 3.Contact Resistance:30M Ω Max.
- 4 Insulation Resistance:500M Ω Min @500VDC
- 5.Withstanding Voltage:1000VAC 50Hz or 60Hz 1min
- 6.Durability:750 cycles Min
- 7.Operation:-40°C ~ +85°C

Order Information

L-KLS12-108-8P8C-1x1-1-0-0-01



GENERAL TOLERANCE	PROJECTION		Description:
X ±0.30	UNITS	mm	Modular jacks,RJ45-8P8C Jack
X ±0.25	SCALE	1:1	
.XX ±0.20	Draw by:	Jenny	
ANGLE TOLERANCE	Check by:		KLS P/N: L-KLS12-108-8P8C-1x1-1-0-0-01
X $\pm 3^\circ$	Date	2018-03-01	NingBo KLS ELECTRONIC CO.,LTD.
X $\pm 2^\circ$	SHEET	1 OF 1	
.XX $\pm 1^\circ$			