

MATERIAL

INSULATOR : 30% Glass fiber PBT

CONTACT PIN : Phosphor bronze

SPECIFICATION

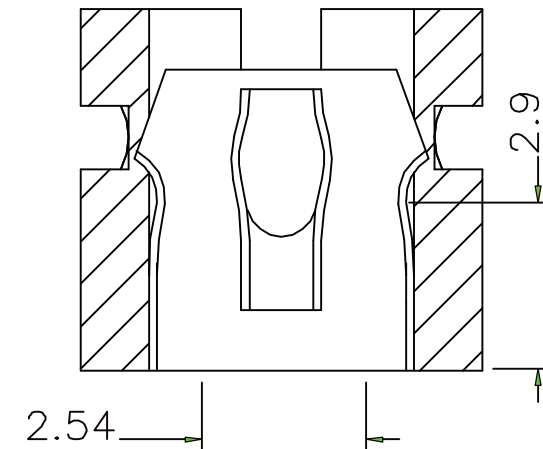
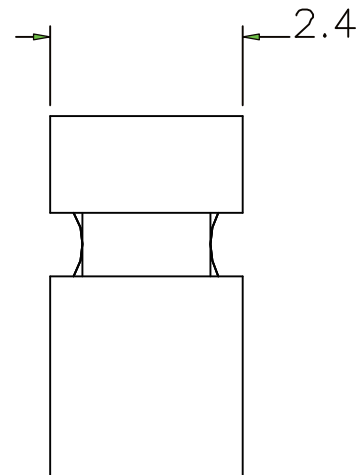
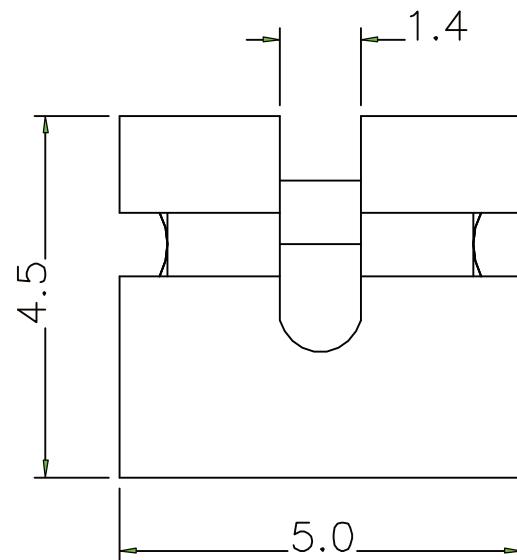
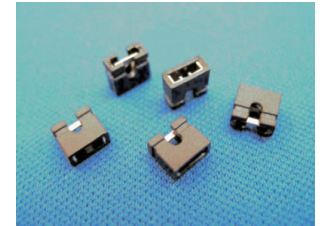
CURRENT RATE : 1 AMP

INSULATION RESISTANCE : 5000M Ω Min.

CONTACT RESISTANCE : 20m Ω Max.

DIELECTRIC VOLTAGE : 500V AC for one minute

OPERATION TEMPERATURE : -55°C to +105°C



TOLERANCES ARE

X.±
.X±
.XX±
.XXX±
ANG±

DESCRIPTION: 2.54mm Mini Jumper Open type