

---

---

**MCUs with High-Precision 16-Bit PWMs Product Brief**

---

---

**Description**

PIC12(L)F1571/2 and PIC16(L)F1574/5/8/9 microcontrollers combine the capabilities of 16-bit PWMs with Analog to suit a variety of applications. These devices deliver up to four 16-bit PWMs with independent timers for applications where high resolution is needed, such as LED lighting, stepper motors, power supplies and other general purpose applications. The core independent peripherals (16-bit PWMs, Complementary Waveform Generator), Enhanced Universal Synchronous Asynchronous Receiver Transceiver (EUSART) and Analog (ADCs, Comparator and DAC) enable closed-loop feedback and communication for use in multiple market segments. The Peripheral Pin Select (PPS) functionality allows for I/O pin remapping of the digital peripherals for increased flexibility. The EUSART peripheral enables the communication for applications such as LIN.

**Core Features**

- C Compiler Optimized RISC Architecture
- Only 49 Instructions
- Operating Speed:
  - DC – 32 MHz clock input
  - 125 ns minimum instruction cycle
- Interrupt Capability
- 16-Level Deep Hardware Stack
- Two 8-Bit Timers
- One 16-Bit Timer
- Up to Four Additional 16-Bit Timers Available Using the 16-Bit PWMs
- Power-on Reset (POR)
- Power-up Timer (PWRT)
- Low-Power Brown-out Reset (LPBOR)
- Programmable Watchdog Timer (WDT) up to 256s
- Programmable Code Protection

**Memory**

- Up to 14 Kbytes Program Flash Memory (PFM)
- Up to 1 Kbytes Data SRAM Memory
- Direct, Indirect and Relative Addressing modes
- 128 Bytes of Nonvolatile Data Storage, High-Endurance Flash (HEF)

**Operating Characteristics**

- Operating Voltage Range:
  - 1.8V to 3.6V (PIC12LF1571/2, PIC16LF1574/5/8/9)
  - 2.3V to 5.5V (PIC12F1571/2, PIC16F1574/5/8/9)
- Temperature Range:
  - Industrial: -40°C to 85°C
  - Extended: -40°C to 125°C

**Low-Power Features**

- Sleep mode: 20 nA @ 1.8V, typical
- Watchdog Timer: 260nA @ 1.8V, typical
- Operating Current:
  - 30 uA/MHz @ 1.8V, typical

**Digital Peripherals**

- 16-Bit PWM:
  - Up to four 16-bit PWMs with independent timers
  - Multiple output modes (standard, center aligned, set and toggle on register match)
  - User settings for phase, duty cycle, period, offset and polarity
  - 16-bit timer capability
  - Interrupts generated based on timer matches with offset, duty cycle, period and phase registers.
- Complementary Waveform Generator (CWG):
  - Rising and falling edge dead-band control
  - Multiple signal sources
- Enhanced Universal Synchronous Asynchronous Receiver Transceiver (EUSART):
  - Supports LIN applications
- Peripheral Pin Select (PPS):
  - I/O pin remapping of digital peripherals (PIC16(L)F1574/5/8/9 devices only)

**Device I/O Port Features**

- Up to 18 I/Os
- Individually Selectable Weak Pull-ups
- Interrupt-on-Change Pins Option with Edge-Selectable Option

# PIC12/16(L)F157X

## Analog Peripherals

- 10-Bit Analog-to-Digital Converter (ADC):
  - Up to 12 external channels
  - Conversion available during Sleep
- Comparator:
  - Up to two
  - Low-Power/High-Speed modes
  - Fixed Voltage Reference at inverting and non-inverting input(s)
  - Comparator outputs externally accessible
  - Synchronization with Timer1 clock source
  - Software hysteresis enable
- 5-Bit Digital-to-Analog Converter (DAC):
  - 5-bit resolution, rail-to-rail
  - Positive Reference Selection
  - Unbuffered I/O pin output
  - Internal connections to ADCs and comparators
- Voltage Reference:
  - Fixed Voltage Reference with 1.024V, 2.048V and 4.096V output levels

## Clocking Structure

- Precision Internal Oscillator:
  - Factory calibrated  $\pm 1\%$ , typical
  - Software-selectable clock speeds from 31 kHz to 32 MHz
- External Oscillator Block with:
  - Resonator modes up to 20 MHz
  - Two external clock modes up to 32 MHz
- Fail-Safe Clock Monitor
- Two-Speed Oscillator Start-up
- Digital Oscillator Input available

**TABLE 1: PIC12(L)F1571/2 AND PIC16(L)F1574/5/8/9 FAMILY TYPES**

Device	Data Sheet Index	Program Flash Memory (Kwords)	Program Flash Memory (Kbytes)	Data SRAM (bytes)	I/O Pins	8-Bit/16-Bit Timers	Comparators	16-Bit PWM	10-Bit ADC (ch)	5-Bit DAC	CWG	EUSART	PPS	Debug <sup>(1)</sup>
<a href="#">PIC12(L)F1571</a>	(A)	1	1.75	128	6	2/4 <sup>(2)</sup>	1	3	4	1	1	0	N	I
<a href="#">PIC12(L)F1572</a>	(A)	2	3.5	256	6	2/4 <sup>(2)</sup>	1	3	4	1	1	1	N	I
<a href="#">PIC16(L)F1574</a>	(B)	4	7	512	12	2/5 <sup>(3)</sup>	2	4	8	1	1	1	Y	I
<a href="#">PIC16(L)F1575</a>	(B)	8	14	1024	18	2/5 <sup>(3)</sup>	2	4	8	1	1	1	Y	I
<a href="#">PIC16(L)F1578</a>	(B)	4	7	512	12	2/5 <sup>(3)</sup>	2	4	12	1	1	1	Y	I
<a href="#">PIC16(L)F1579</a>	(B)	8	14	1024	18	2/5 <sup>(3)</sup>	2	4	12	1	1	1	Y	I

**Note 1:** I – Debugging integrated on chip.

**2:** Three additional 16-bit timers available when not using the 16-bit PWM outputs.

**3:** Four additional 16-bit timers available when not using the 16-bit PWM outputs.

### Data Sheet Index:

- A:** DS-40001723 [PIC12\(L\)F1571/2 Data Sheet, 8-Pin Flash, 8-bit MCU with High-Precision 16-bit PWM](#)  
**B:** Future Release [PIC16\(L\)F1574/5/8/9 Data Sheet, 8-Pin Flash, 8-bit MCU with High-Precision 16-bit PWM](#)

**Note:** For other small form-factor package availability and marking information, please visit <http://www.microchip.com/packaging> or contact your local sales office.

# PIC12/16(L)F157X

---

---

**TABLE 2: PACKAGES**

Packages	PDIP	SOIC	MSOP	DFN/UDFN	TSSOP	SSOP	QFN/UQFN
PIC12(L)F1571	X	X	X	X			
PIC12(L)F1572	X	X	X	X			
PIC16(L)F1574	X	X			X		X
PIC16(L)F1575	X	X			X		X
PIC16(L)F1578	X	X				X	X
PIC16(L)F1579	X	X				X	X

**Note:** Pin details are subject to change.

# PIC12/16(L)F157X

## PIN DIAGRAMS

FIGURE 1: 8-PIN PDIP, SOIC, MSOP, DFN/UDFN

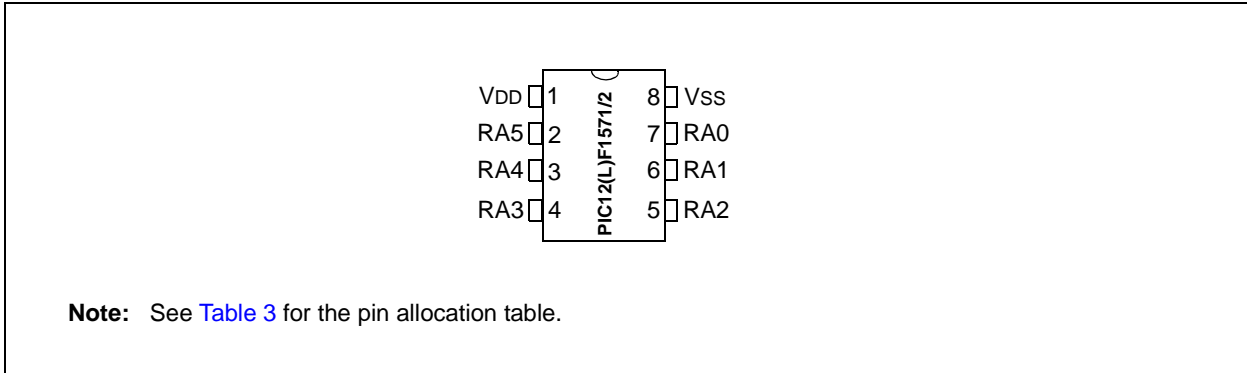


FIGURE 2: 14-PIN PDIP, SOIC, TSSOP

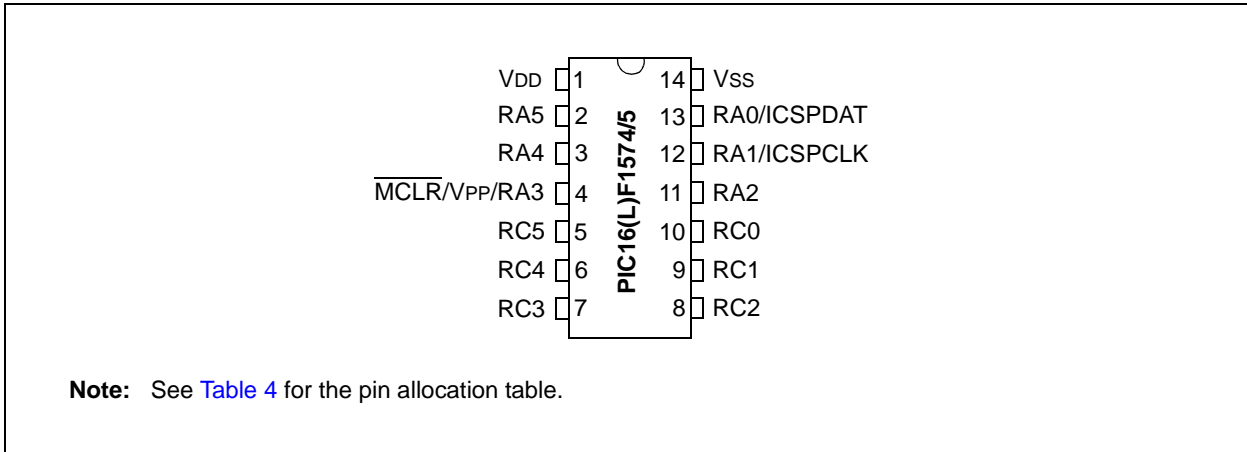
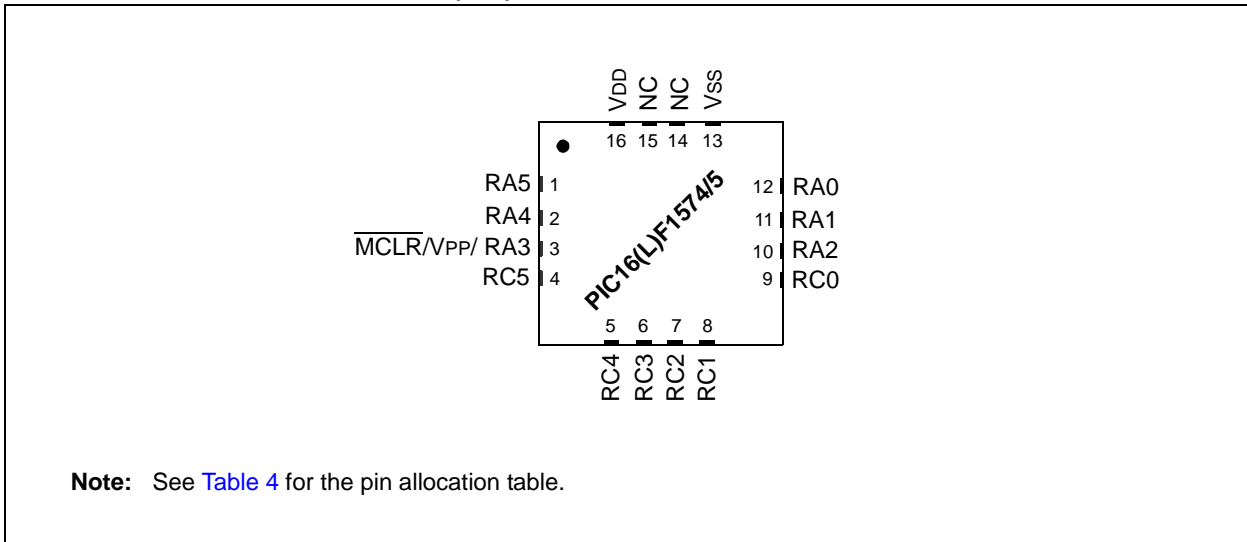
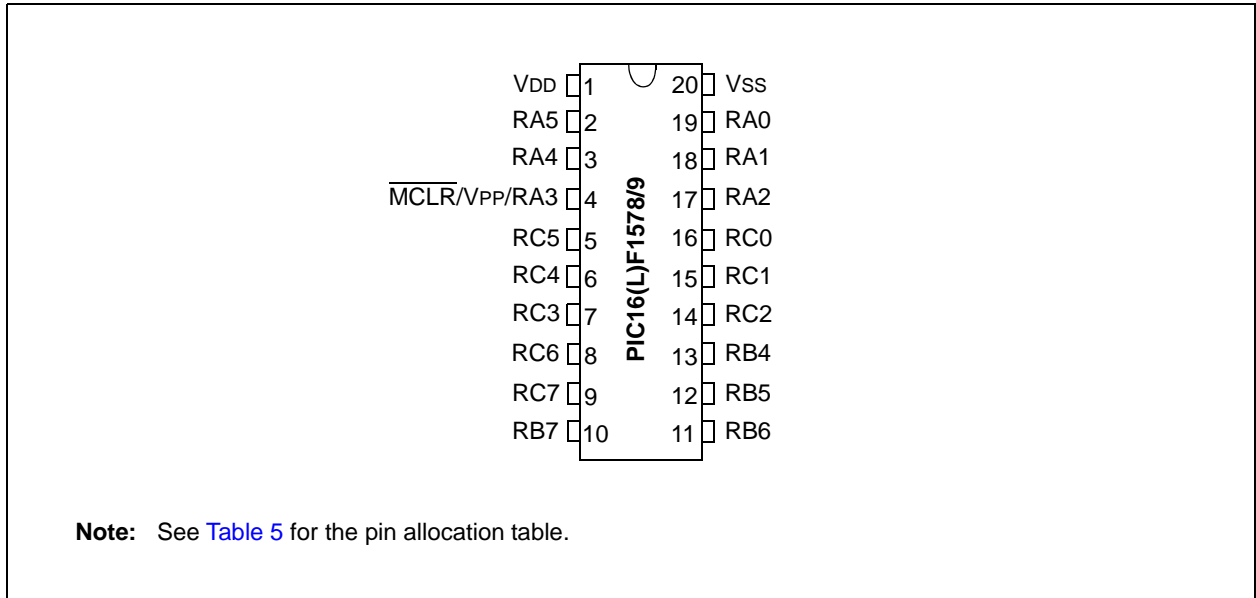


FIGURE 3: 16-PIN QFN/UQFN (4x4)

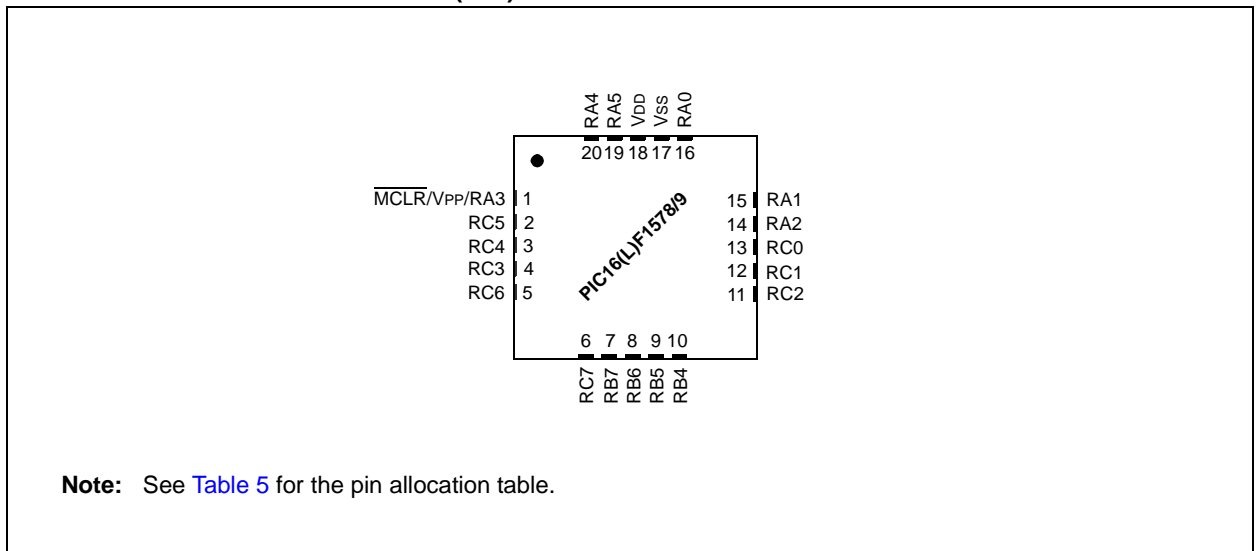


# PIC12/16(L)F157X

**FIGURE 4: 20-PIN PDIP, SOIC, SSOP**



**FIGURE 5: 20-PIN QFN/UQFN (4x4)**



# PIC12/16(L)F157X

## PIN ALLOCATION TABLES

**TABLE 3: 8-PIN ALLOCATION TABLE (PIC12(L)F1571/2)**

IO	8-Pin PDIP/SOIC/MSOP/DFN	ADC	Reference	Comparator	Timers	PWM	EUSART <sup>(2)</sup>	CWG	Interrupt	Pull-up	Basic
RA0	7	AN0	DAC1OUT	C1IN+	—	PWM2	TX/CK <sup>(2)</sup>	CWG1B	IOC	Y	ICSPDAT ICDDAT
RA1	6	AN1	VREF+	C1IN0-	—	PWM1	RX/DT <sup>(2)</sup>	—	IOC	Y	ICSPCLK ICDCLK
RA2	5	AN2	—	C1OUT	T0CKI	PWM3	—	$\overline{\text{CWG1FLT}}$ CWG1A	IOC INT	Y	—
RA3	4	—	—	—	T1G <sup>(1)</sup>	—	—	—	IOC	Y	$\overline{\text{MCLR}}$ VPP
RA4	3	AN3	—	C1IN1-	T1G	PWM2 <sup>(1)</sup>	TX/CK <sup>(1,2)</sup>	CWG1B <sup>(1)</sup>	IOC	Y	CLKOUT
RA5	2	—	—	—	T1CKI	PWM1 <sup>(1)</sup>	RX/DT <sup>(1,2)</sup>	CWG1A <sup>(1)</sup>	IOC	Y	CLKIN
VDD	1	—	—	—	—	—	—	—	—	—	VDD
Vss	8	—	—	—	—	—	—	—	—	—	Vss

**Note** 1: Alternate pin function selected with the APFCON register.  
 2: PIC12(L)F1572 only.

# PIC12/16(L)F157X

**TABLE 4: 14/16-PIN ALLOCATION TABLE (PIC16(L)F1574/5)**

I/O	14-Pin PDIP/SOIC/TSSOP	16-Pin QFN/UQFN	ADC	Reference	Comparator	Timers	PWM	EUSART	CWG	Interrupt	Pull-up	Basic
RA0	13	12	AN0	DAC1OUT1	C1IN+	—	—	—	—	IOC	Y	ICSPDAT ICDDAT
RA1	12	11	AN1	VREF+	C1IN0-/C2IN0-	—	—	—	—	IOC	Y	ICSPCLK ICDCLK
RA2	11	10	AN2	—	—	T0CKI <sup>(1)</sup>	—	—	CWG1IN <sup>(1)</sup>	INT <sup>(1)</sup> /IOC	Y	—
RA3	4	3	—	—	—	—	—	—	—	IOC	Y	MCLR/VPP
RA4	3	2	AN3	—	C1IN1-	T1G <sup>(1)</sup>	—	—	—	IOC	Y	CLKOUT
RA5	2	1	—	—	—	T1CKI <sup>(1)</sup>	—	—	—	IOC	Y	CLKIN
RC0	10	9	AN4	—	C2IN+	—	—	—	—	IOC	Y	—
RC1	9	8	AN5	—	C1IN1-/C2IN1-	—	—	—	—	IOC	Y	—
RC2	8	7	AN6	—	C1IN2-/C2IN2-	—	—	—	—	IOC	Y	—
RC3	7	6	AN7	—	C1IN3-/C2IN3-	—	—	—	—	IOC	Y	—
RC4	6	5	ADCACT <sup>(1)</sup>	—	—	—	—	CK <sup>(1)</sup>	—	IOC	Y	—
RC5	5	4	—	—	—	—	—	RX <sup>(1,3)</sup>	—	IOC	Y	—
VDD	1	16	—	—	—	—	—	—	—	—	—	VDD
VSS	14	13	—	—	—	—	—	—	—	—	—	VSS
OUT <sup>(2)</sup>	—	—	—	—	C1OUT	—	PWM1OUT	DT <sup>(3)</sup>	CWG1A	—	—	—
	—	—	—	—	C2OUT	—	PWM2OUT	CK	CWG1B	—	—	—
	—	—	—	—	—	—	PWM3OUT	TX	—	—	—	—
	—	—	—	—	—	—	PWM4OUT	—	—	—	—	—

- Note**
- 1: Default peripheral input. Input can be moved to any other pin with the PPS Input Selection registers.
  - 2: All pin outputs default to PORT latch data. Any pin can be selected as a digital peripheral output with the PPS Output Selection registers.
  - 3: These peripheral functions are bidirectional. The output pin selections must be the same as the input pin selections.

# PIC12/16(L)F157X

**TABLE 5: 20-PIN ALLOCATION TABLE (PIC16(L)F1578/9)**

I/O	20-Pin PDIP/SOIC/SSOP	20-Pin QFN/UQFN	ADC	Reference	Comparator	Timers	PWM	EUSART	CWG	Interrupt	Pull-up	Basic
RA0	19	16	AN0	DAC1OUT1	C1IN+	—	—	—	—	IOC	Y	ICSPDAT ICDDAT
RA1	18	15	AN1	VREF+	C1IN0-/C2IN0-	—	—	—	—	IOC	Y	ICSPCLK ICDCLK
RA2	17	14	AN2	—	—	T0CKI <sup>(1)</sup>	—	—	CWG1IN <sup>(1)</sup>	INT <sup>(1)</sup> /IOC	Y	—
RA3	4	1	—	—	—	—	—	—	—	IOC	Y	MCLR/VPP
RA4	3	20	AN3	—	C1IN1-	T1G <sup>(1)</sup>	—	—	—	IOC	Y	CLKOUT
RA5	2	19	—	—	—	T1CKI <sup>(1)</sup>	—	—	—	IOC	Y	CLKIN
RB4	13	10	AN10	—	—	—	—	—	—	IOC	Y	—
RB5	12	9	AN11	—	—	—	—	—	—	IOC	Y	—
RB6	11	8	—	—	—	—	—	—	—	IOC	Y	—
RB7	10	7	—	—	—	—	—	—	—	IOC	Y	—
RC0	16	13	AN4	—	C2IN+	—	—	—	—	IOC	Y	—
RC1	15	12	AN5	—	C1IN1-/C2IN1-	—	—	—	—	IOC	Y	—
RC2	14	11	AN6	—	C1IN2-/C2IN2-	—	—	—	—	IOC	Y	—
RC3	7	4	AN7	—	C1IN3-/C2IN3-	—	—	—	—	IOC	Y	—
RC4	6	3	ADCACT <sup>(1)</sup>	—	—	—	—	CK <sup>(1)</sup>	—	IOC	Y	—
RC5	5	2	—	—	—	—	—	RX <sup>(1,3)</sup>	—	IOC	Y	—
RC6	8	5	AN8	—	—	—	—	—	—	IOC	Y	—
RC7	9	6	AN9	—	—	—	—	—	—	IOC	Y	—
VDD	1	18	—	—	—	—	—	—	—	—	—	VDD
VSS	20	17	—	—	—	—	—	—	—	—	—	VSS
OUT <sup>(2)</sup>	—	—	—	—	C1OUT	—	PWM1OUT	DT <sup>(3)</sup>	CWG1A	—	—	—
	—	—	—	—	C2OUT	—	PWM2OUT	CK	CWG1B	—	—	—
	—	—	—	—	—	—	PWM3OUT	TX	—	—	—	—
	—	—	—	—	—	—	PWM4OUT	—	—	—	—	—

- Note**
- 1: Default peripheral input. Input can be moved to any other pin with the PPS Input Selection registers.
  - 2: All pin outputs default to PORT latch data. Any pin can be selected as a digital peripheral output with the PPS Output Selection registers.
  - 3: These peripheral functions are bidirectional. The output pin selections must be the same as the input pin selections.



---

**Note the following details of the code protection feature on Microchip devices:**

- Microchip products meet the specification contained in their particular Microchip Data Sheet.
- Microchip believes that its family of products is one of the most secure families of its kind on the market today, when used in the intended manner and under normal conditions.
- There are dishonest and possibly illegal methods used to breach the code protection feature. All of these methods, to our knowledge, require using the Microchip products in a manner outside the operating specifications contained in Microchip's Data Sheets. Most likely, the person doing so is engaged in theft of intellectual property.
- Microchip is willing to work with the customer who is concerned about the integrity of their code.
- Neither Microchip nor any other semiconductor manufacturer can guarantee the security of their code. Code protection does not mean that we are guaranteeing the product as “unbreakable.”

Code protection is constantly evolving. We at Microchip are committed to continuously improving the code protection features of our products. Attempts to break Microchip's code protection feature may be a violation of the Digital Millennium Copyright Act. If such acts allow unauthorized access to your software or other copyrighted work, you may have a right to sue for relief under that Act.

---

Information contained in this publication regarding device applications and the like is provided only for your convenience and may be superseded by updates. It is your responsibility to ensure that your application meets with your specifications. MICROCHIP MAKES NO REPRESENTATIONS OR WARRANTIES OF ANY KIND WHETHER EXPRESS OR IMPLIED, WRITTEN OR ORAL, STATUTORY OR OTHERWISE, RELATED TO THE INFORMATION, INCLUDING BUT NOT LIMITED TO ITS CONDITION, QUALITY, PERFORMANCE, MERCHANTABILITY OR FITNESS FOR PURPOSE. Microchip disclaims all liability arising from this information and its use. Use of Microchip devices in life support and/or safety applications is entirely at the buyer's risk, and the buyer agrees to defend, indemnify and hold harmless Microchip from any and all damages, claims, suits, or expenses resulting from such use. No licenses are conveyed, implicitly or otherwise, under any Microchip intellectual property rights.

#### **Trademarks**

The Microchip name and logo, the Microchip logo, dsPIC, FlashFlex, flexPWR, JukeBlox, KEELOQ, KEELOQ logo, Klear, LANCheck, MediaLB, MOST, MOST logo, MPLAB, OptoLyzer, PIC, PICSTART, PIC<sup>32</sup> logo, RightTouch, SpyNIC, SST, SST Logo, SuperFlash and UNI/O are registered trademarks of Microchip Technology Incorporated in the U.S.A. and other countries.

The Embedded Control Solutions Company and mTouch are registered trademarks of Microchip Technology Incorporated in the U.S.A.

Analog-for-the-Digital Age, BodyCom, chipKIT, chipKIT logo, CodeGuard, dsPICDEM, dsPICDEM.net, ECAN, In-Circuit Serial Programming, ICSP, Inter-Chip Connectivity, KlearNet, KlearNet logo, MiWi, MPASM, MPF, MPLAB Certified logo, MPLIB, MPLINK, MultiTRAK, NetDetach, Omniscient Code Generation, PICDEM, PICDEM.net, PICkit, PICtail, RightTouch logo, REAL ICE, SQI, Serial Quad I/O, Total Endurance, TSHARC, USBCheck, VariSense, ViewSpan, WiperLock, Wireless DNA, and ZENA are trademarks of Microchip Technology Incorporated in the U.S.A. and other countries.

SQTP is a service mark of Microchip Technology Incorporated in the U.S.A.

Silicon Storage Technology is a registered trademark of Microchip Technology Inc. in other countries.

GestIC is a registered trademarks of Microchip Technology Germany II GmbH & Co. KG, a subsidiary of Microchip Technology Inc., in other countries.

All other trademarks mentioned herein are property of their respective companies.

© 2013-2014, Microchip Technology Incorporated, Printed in the U.S.A., All Rights Reserved.

ISBN: 978-1-63276-679-3

**QUALITY MANAGEMENT SYSTEM**  
**CERTIFIED BY DNV**  
**== ISO/TS 16949 ==**

*Microchip received ISO/TS-16949:2009 certification for its worldwide headquarters, design and wafer fabrication facilities in Chandler and Tempe, Arizona; Gresham, Oregon and design centers in California and India. The Company's quality system processes and procedures are for its PIC<sup>®</sup> MCUs and dsPIC<sup>®</sup> DSCs, KEELOQ<sup>®</sup> code hopping devices, Serial EEPROMs, microperipherals, nonvolatile memory and analog products. In addition, Microchip's quality system for the design and manufacture of development systems is ISO 9001:2000 certified.*



# MICROCHIP

## Worldwide Sales and Service

### AMERICAS

**Corporate Office**  
2355 West Chandler Blvd.  
Chandler, AZ 85224-6199  
Tel: 480-792-7200  
Fax: 480-792-7277  
Technical Support:  
<http://www.microchip.com/support>  
Web Address:  
[www.microchip.com](http://www.microchip.com)

**Atlanta**  
Duluth, GA  
Tel: 678-957-9614  
Fax: 678-957-1455

**Austin, TX**  
Tel: 512-257-3370

**Boston**  
Westborough, MA  
Tel: 774-760-0087  
Fax: 774-760-0088

**Chicago**  
Itasca, IL  
Tel: 630-285-0071  
Fax: 630-285-0075

**Cleveland**  
Independence, OH  
Tel: 216-447-0464  
Fax: 216-447-0643

**Dallas**  
Addison, TX  
Tel: 972-818-7423  
Fax: 972-818-2924

**Detroit**  
Novi, MI  
Tel: 248-848-4000

**Houston, TX**  
Tel: 281-894-5983

**Indianapolis**  
Noblesville, IN  
Tel: 317-773-8323  
Fax: 317-773-5453

**Los Angeles**  
Mission Viejo, CA  
Tel: 949-462-9523  
Fax: 949-462-9608

**New York, NY**  
Tel: 631-435-6000

**San Jose, CA**  
Tel: 408-735-9110

**Canada - Toronto**  
Tel: 905-673-0699  
Fax: 905-673-6509

### ASIA/PACIFIC

**Asia Pacific Office**  
Suites 3707-14, 37th Floor  
Tower 6, The Gateway  
Harbour City, Kowloon  
Hong Kong  
Tel: 852-2943-5100  
Fax: 852-2401-3431

**Australia - Sydney**  
Tel: 61-2-9868-6733  
Fax: 61-2-9868-6755

**China - Beijing**  
Tel: 86-10-8569-7000  
Fax: 86-10-8528-2104

**China - Chengdu**  
Tel: 86-28-8665-5511  
Fax: 86-28-8665-7889

**China - Chongqing**  
Tel: 86-23-8980-9588  
Fax: 86-23-8980-9500

**China - Hangzhou**  
Tel: 86-571-8792-8115  
Fax: 86-571-8792-8116

**China - Hong Kong SAR**  
Tel: 852-2943-5100  
Fax: 852-2401-3431

**China - Nanjing**  
Tel: 86-25-8473-2460  
Fax: 86-25-8473-2470

**China - Qingdao**  
Tel: 86-532-8502-7355  
Fax: 86-532-8502-7205

**China - Shanghai**  
Tel: 86-21-5407-5533  
Fax: 86-21-5407-5066

**China - Shenyang**  
Tel: 86-24-2334-2829  
Fax: 86-24-2334-2393

**China - Shenzhen**  
Tel: 86-755-8864-2200  
Fax: 86-755-8203-1760

**China - Wuhan**  
Tel: 86-27-5980-5300  
Fax: 86-27-5980-5118

**China - Xian**  
Tel: 86-29-8833-7252  
Fax: 86-29-8833-7256

**China - Xiamen**  
Tel: 86-592-2388138  
Fax: 86-592-2388130

**China - Zhuhai**  
Tel: 86-756-3210040  
Fax: 86-756-3210049

### ASIA/PACIFIC

**India - Bangalore**  
Tel: 91-80-3090-4444  
Fax: 91-80-3090-4123

**India - New Delhi**  
Tel: 91-11-4160-8631  
Fax: 91-11-4160-8632

**India - Pune**  
Tel: 91-20-3019-1500

**Japan - Osaka**  
Tel: 81-6-6152-7160  
Fax: 81-6-6152-9310

**Japan - Tokyo**  
Tel: 81-3-6880-3770  
Fax: 81-3-6880-3771

**Korea - Daegu**  
Tel: 82-53-744-4301  
Fax: 82-53-744-4302

**Korea - Seoul**  
Tel: 82-2-554-7200  
Fax: 82-2-558-5932 or  
82-2-558-5934

**Malaysia - Kuala Lumpur**  
Tel: 60-3-6201-9857  
Fax: 60-3-6201-9859

**Malaysia - Penang**  
Tel: 60-4-227-8870  
Fax: 60-4-227-4068

**Philippines - Manila**  
Tel: 63-2-634-9065  
Fax: 63-2-634-9069

**Singapore**  
Tel: 65-6334-8870  
Fax: 65-6334-8850

**Taiwan - Hsin Chu**  
Tel: 886-3-5778-366  
Fax: 886-3-5770-955

**Taiwan - Kaohsiung**  
Tel: 886-7-213-7830

**Taiwan - Taipei**  
Tel: 886-2-2508-8600  
Fax: 886-2-2508-0102

**Thailand - Bangkok**  
Tel: 66-2-694-1351  
Fax: 66-2-694-1350

### EUROPE

**Austria - Wels**  
Tel: 43-7242-2244-39  
Fax: 43-7242-2244-393

**Denmark - Copenhagen**  
Tel: 45-4450-2828  
Fax: 45-4485-2829

**France - Paris**  
Tel: 33-1-69-53-63-20  
Fax: 33-1-69-30-90-79

**Germany - Dusseldorf**  
Tel: 49-2129-3766400

**Germany - Munich**  
Tel: 49-89-627-144-0  
Fax: 49-89-627-144-44

**Germany - Pforzheim**  
Tel: 49-7231-424750

**Italy - Milan**  
Tel: 39-0331-742611  
Fax: 39-0331-466781

**Italy - Venice**  
Tel: 39-049-7625286

**Netherlands - Drunen**  
Tel: 31-416-690399  
Fax: 31-416-690340

**Poland - Warsaw**  
Tel: 48-22-3325737

**Spain - Madrid**  
Tel: 34-91-708-08-90  
Fax: 34-91-708-08-91

**Sweden - Stockholm**  
Tel: 46-8-5090-4654

**UK - Wokingham**  
Tel: 44-118-921-5800  
Fax: 44-118-921-5820

03/25/14