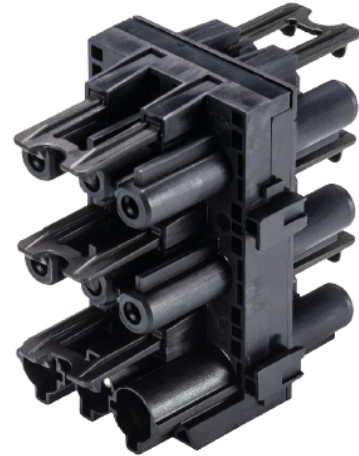


Data sheet

Commercial Art.No.: 92.030.0953.1

Distributor GST18i3V 5P1 BV SW

GST18i3 HH-distributor, 3 pole, 1 IN, 5 OUT, with mounting option on separate mounting plate, coding mains 250 V, 20 A, coding color black



Commercial Art.No.	92.030.0953.1
EAN	4049088391910
Order Unit	1

Certificates / Approvals



Technical data

General

Rated current	20 A
Rated voltage	250 V
Rated impulse voltage	4 kV
Pollution degree	2
Mechanical coding	Code 1
Lockable	self-locking (unlocking by tool)
Color of coding/ contact carrier	black
Marking of poles	L, N, PE

Model

Number of inputs	1
Number of outputs	5
Type of fastening	yes
Degree of protection (IP)	IP20
Type of distributor	HH-distributor

Material

Housing material	Polyamide
halogen free	yes
Contact material	CuZn
Fire load	0.216 kWh
Insulation components continuous temperature	100 °C

Surface finish	Tin-plated
----------------	------------

Dimensions

Length	58 mm
Width	34.9 mm
Height	52.5 mm

Classification

ECLASS 11	
ECLASS 8.1	27440603
ETIM 7.0	EC002567
ETIM 6.0	EC002567
ETIM 5.0	EC002567
ETIM 4.0	EC002567

Product compliance

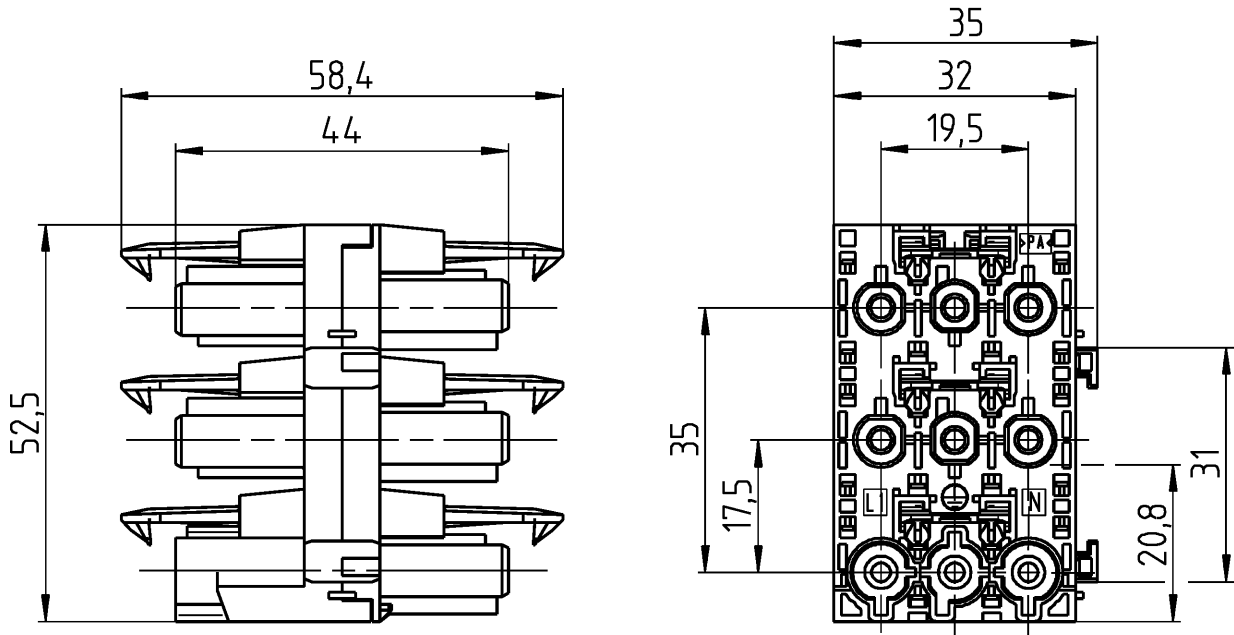
ROHS conformity status	Compliant/Exempted
ROHS exceptions	III-6(c)
REACH-SVHC conformity status	Duty-To-Declare
REACH-SVHC substances	Lead
REACH-SVHC CAS numbers	7439-92-1

Accessories

Commercial Art.No.:	Article-type description:	Description:
05.588.5753.0	Lock GST18 VERTEILER WS	Locking device for distributor GST18i3-5, retrofit part, white
05.588.5753.1	Locking slide GST18 VERTEILER SW	Locking device for distributor GST18i3-5, retrofit part, black
05.561.3653.0	cover cap GST18i3VS B WS	Cover piece for female GST18i3, white
05.561.3653.1	cover cap GST18i3VS B SW	Cover piece for female GST18i3, black
05.564.5353.0	cover cap GST18i3/4/5 SW	Cover piece 12 pole black for female parts GST18i3-6
05.564.5353.2	cover cap GST18i3/4/5 WS	Cover piece 12 pole white for female parts GST18i3-6
05.594.4250.0	cover cap ST18/3B + GST18i3 ST WS	
05.594.4253.0	cover cap ST18/3B + GST18i3 ST WS	

A
 Weitergabe sowie Vervielfältigung dieses Dokuments, Verwertung und Mitteilung seines Inhalts, sind verboten, soweit nicht ausdrücklich gestattet.
 The reproduction, distribution and utilization of this document as well as the communication of its contents to others without express authorization is prohibited.

B
 These dimensions will be especially checked at delivery
 Only inspection dimensions
 With /E marked dimensions are only valid for internal use



D
 Diese Maße werden bei Abnahme besonders geprüft
 Ausschließlich Prüfmaße
 Mit /E gekennzeichnete Maße sind nur für interne Zwecke gültig

Weitere Daten siehe Katalog
 /further data see catalog

Teilenummer /part number	Typ / type	Farbe / colour
92.030.0953.0	GST1813V 5P1 B V WS	weiß / white
92.030.0953.1	GST1813V 5P1 B V SW	schwarz / black

Tolerierung Size ISO 14405 (E) / Tolerance system Size ISO 14405 (E). (This ISO-standard describes the envelope principle. According to the envelope principle the deviations of form and parallelism are limited by the size tolerances). ja/yes Stoffverbots- und Deklarationsliste nach WN 5020.010 ist einzuhalten. Conformity with Wieland document WN 5020.010 e (list of prohibited / declarable hazardous substances) to be declared!

Freitoleranz nach General tolerance CAD - Zeichnung, keine manuellen Änderungen CAD - drawing, no manual modifications allowed 1. Verwendung: First Use: Blatt: 1 von 1 Sheet: of 1

Werkstoff / Material	Tag/Date	Name	Zeichnung Nr. / Drawing No.	Index
Maßstab / Scale	gezeichnet / drawn	geprüft / checked		
1:1	08.05.2019	Schiller	T 92.030.0953.0 13K	
Vol. mm³	Ofl./Srf. mm²	Normgepr. / Stand. check		

Ersatz für / Replacement for:		Type	Benennung/Title
		siehe Tabelle / see table	Verteiler
		mit Befestigungsmöglichkeit an separater Montageplatte / with interface to separate supporting plate	