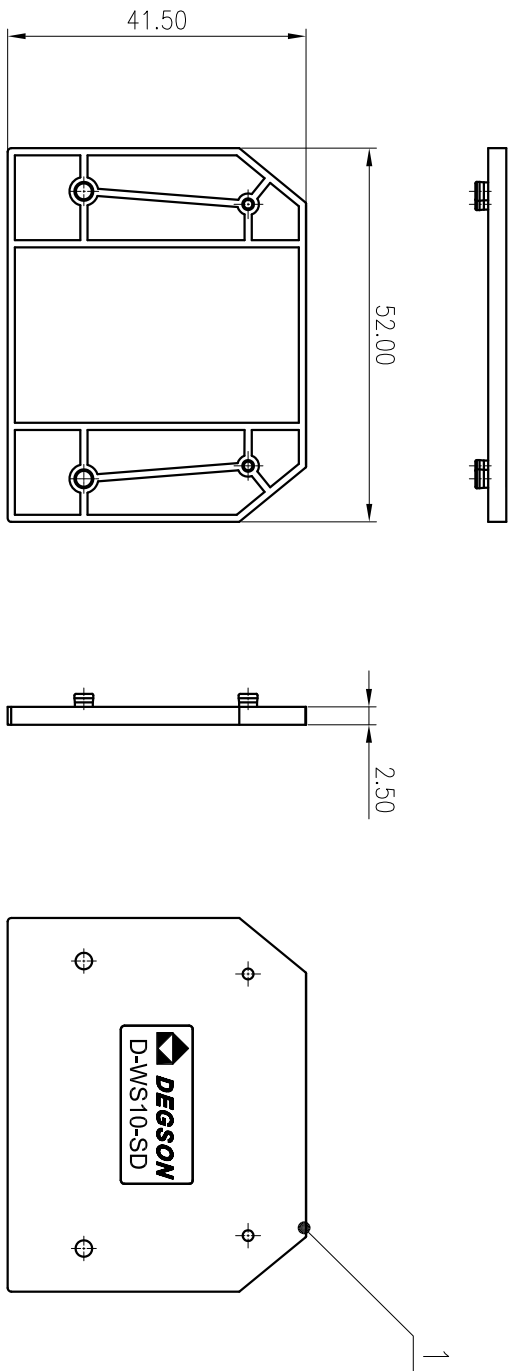


未注公差/General tolerances(mm)	
0	>3
~	>6
~	>10
~	>18
~	>30
~	>50
~	>80
~	>120
~	>180
~	>250
~	>315
~	>400
~	>500
~	>1000
±0.12	±0.18
±0.22	±0.26
±0.31	±0.37
±0.57	±0.80
±0.93	±1.05
±1.15	±1.50
±2.20	±2.50
±2'	±2'



ITEM	NAME OF PART	MATERIAL	NOTES
1	Cover	PA66	UL94V-0

使用温度范围/Operating temperature(°C) -40~+105  
 符合RoHS环保要求/Conform to RoHS Yes  
 标准颜色编号/Standard color number: /  
 PANTONE / RAL /

MATERIAL: / SURFACE: /

MAT NO.: /  
 STATUS: /  
 APPD: Li GL 2020.06.06  
 CHKD: Mao J 2020.06.06  
 DRFT: Wang Y 2020.06.06

NAME: **DEGSON**® 宁波高松电子有限公司  
 NINGBO DEGSON ELECTRICAL CO., LTD  
**D-WS10-SD-01P-11-00A(H)**

DRAWING NO.: D-WS10-SD-C01  
 TYPE: CUSTOMER DRAWING  
 SCALE: 1:1  
 REV T1  
 SHEET 1/1

REV	ECN	DESCRIPTION	DRFT	DATE
1				

A B C D

A B C D

1 2 3 4 5 6