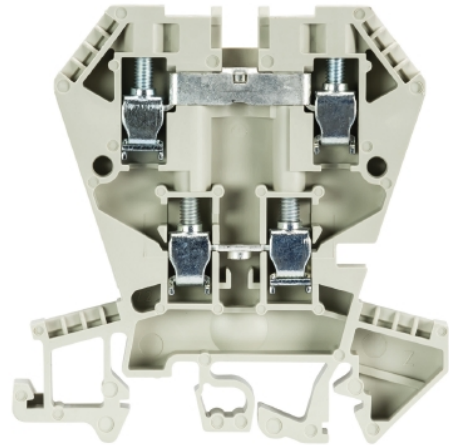


Data sheet

Commercial Art.No.: 57.404.7055.0

Multi-tier terminal WK 4E/U /V0

Multi-tier terminal block with screw connection for mounting on TS 35 and TS 32, nominal cross section 4 mm², width 6 mm, color gray



Commercial Art.No.	57.404.7055.0
EAN	4015573527362
Order Unit	100

Certificates / Approvals



CAN-Ex



ATEX



USA-Ex

Technical data

General

Nominal cross section	4 mm ²
Color	Grey
Number of levels	2
Number of clamp positions per level	2
Width/grid dimension	6 mm
Insulating housing	PA666
Inflammability class of insulation material acc. with UL94	V0
Explosion-tested version "Ex e"	No
Mounting method	DIN rail (top hat rail)/G-rail
Terminal blocks for electrical installations	No

Technical data

Rated current	32 A
Rated voltage	400 V
Rated impulse voltage	6 kV
Pollution degree	3
Closing plate required	yes
Type of insulation material	Thermoplastic
Length	61.6 mm

Connection Data

Connection type 1	screw connection
-------------------	------------------

Connection type 2	screw connection
Minimum cross section solid	0.5 mm ²
Maximum cross section solid	4 mm ²
Minimum cross section fine stranded	0.5 mm ²
Maximum cross section fine stranded	4 mm ²
Wire strip length	9 mm
Torque conductor mounting	0.5 Nm

Technical Data UL/CSA

Cross section UL	22-10 AWG
Voltage UL	300 V
Current factory wiring	20 A
Current field wiring	20 A
Cross section CSA	20-12 AWG
Voltage CSA	300 V
Current CSA	10 A

Classification

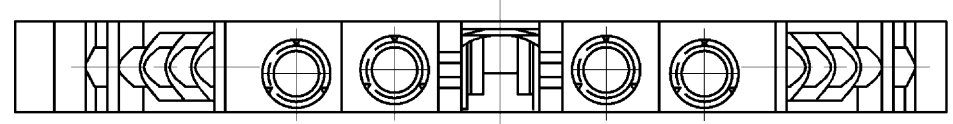
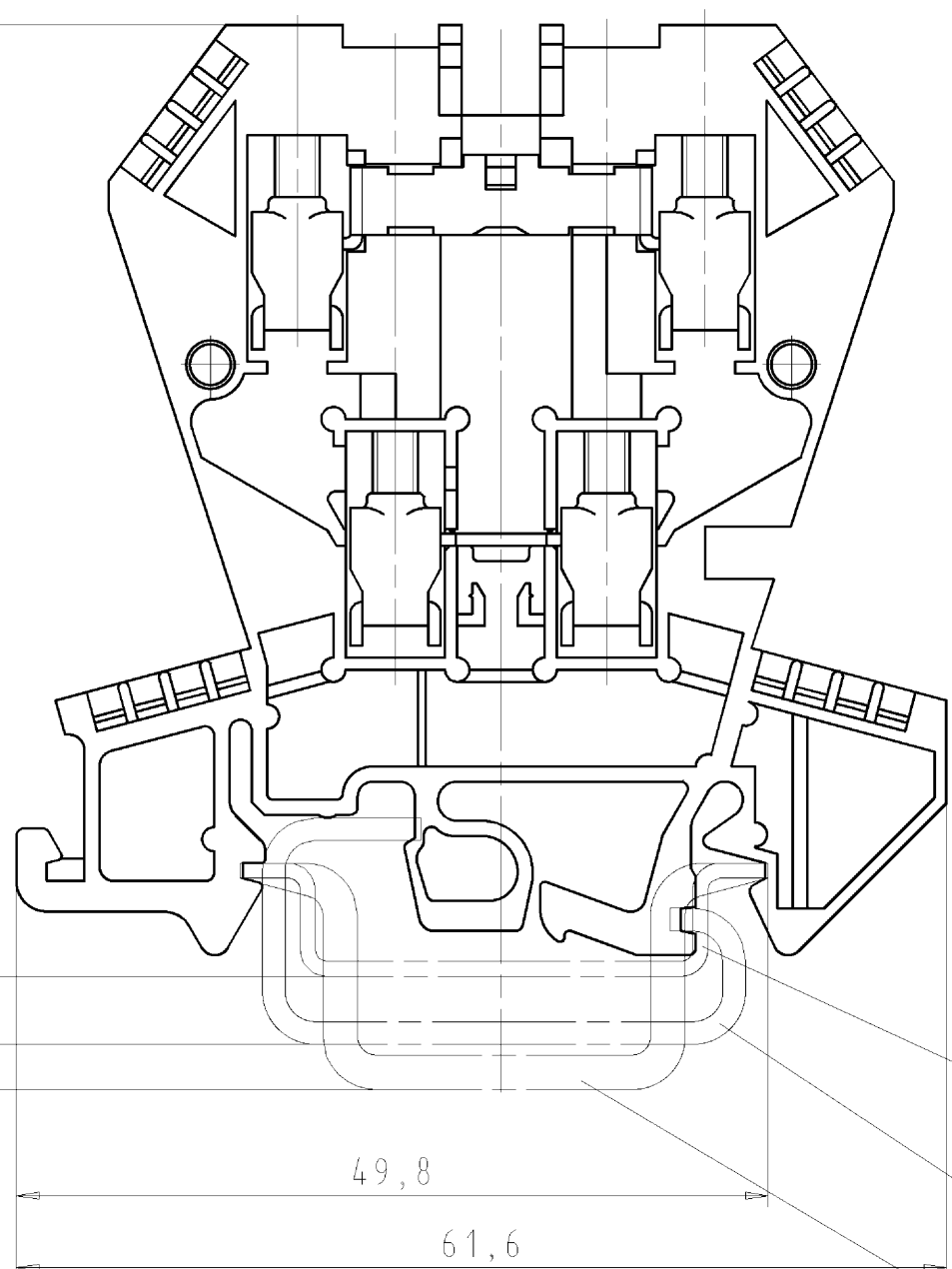
ECLASS 11	
ECLASS 8.1	27141120
ETIM 7.0	EC000897
ETIM 6.0	EC000897
ETIM 5.0	EC000897
ETIM 4.0	EC000897
ETIM 3.0	EC000897

Accessories

Commercial Art.No.:	Article-type description:	Description:
Z7.256.4227.0	Jumper bar IVBS WK4 E - 2	Jumper comp, insulated for DIN rail terminal blocks type WK ..., 2 - pole
Z7.256.4327.0	Jumper bar IVBS WK4 E - 3	Jumper comp, insulated for DIN rail terminal blocks type WK ..., 3 - pole
Z7.256.4427.0	Jumper bar IVBS WK4 E - 4	Jumper comp, insulated for DIN rail terminal blocks type WK ..., 4 - pole
Z7.256.4527.0	Jumper bar IVBS WK4 E - 5	Jumper comp, insulated for DIN rail terminal blocks type WK ..., 5 - pole
Z7.256.4627.0	Jumper bar IVBS WK4 E - 6	Jumper comp, insulated for DIN rail terminal blocks type WK ..., 6 - pole
Z7.256.4727.0	Jumper bar IVBS WK4 E - 7	Jumper comp, insulated for DIN rail terminal blocks type WK ..., 7 - pole
Z7.256.4827.0	Jumper bar IVBS WK4 E - 8	Jumper comp, insulated for DIN rail terminal blocks type WK ..., 8 - pole
Z7.256.4927.0	Jumper bar IVBS WK4 E - 9	Jumper comp, insulated for DIN rail terminal blocks type WK ..., 9 - pole
Z7.256.5027.0	Jumper bar IVBS WK4 E - 10	Jumper comp, insulated for DIN rail terminal blocks type WK ..., 10 - pole
Z7.256.5127.0	Jumper bar IVBS WK4 E - 11	Jumper comp, insulated for DIN rail terminal blocks type WK ..., 11 - pole
Z7.256.5227.0	Jumper bar IVBS WK4 E - 12	Jumper comp, insulated for DIN rail terminal blocks type WK ..., 12 - pole

98.190.0000.0	Mounting rail TS 32 UNPERF - l:2000mm	Mounting rail G 32, unslotted, Höhe 5,5 mm, length 2 m, material steel. galv. zinc-plated and dichromated
98.190.1000.0	Mounting rail TS 32 PERF 15mm - l:2000mm	Mounting rail G 32, slotted, Höhe 15 mm, length 2 m, material steel. galv. zinc-plated and dichromated
98.210.0000.0	Mounting rail TS 32 UNPERF AL - l:2000mm	Mounting rail G 32, unslotted, Höhe 15 mm, length 2 m, material Aluminium
98.220.0000.0	Mounting rail TS 32 UNPERF CU - l:2000mm	Mounting rail G 32, unslotted, Höhe 15 mm, length 2 m, material E copper
98.300.0000.0	Mounting rail TS 35x7,5 UNPERF - l:2000mm	Mounting rail TS 35, unslotted, size 7,5 mm, length 2 m, material steel. galv. zinc-plated and dichromated
98.300.1000.0	Mounting rail TS 35x7,5 PERF 15mm - l:2000mm	Mounting rail TS 35, slotted, size 7,5 mm, length 2 m, material steel. galv. zinc-plated and dichromated
98.300.1900.0	Mounting rail TS 35x7,5 PERF 25mm - l:2000mm	Mounting rail TS 35, slotted, size 7,5 mm, length 2 m, material steel. galv. zinc-plated and dichromated
98.360.0000.0	Mounting rail TS 35x15-2,3 UNPERF - l:2000mm	Mounting rail TS 35, unslotted, size 15 mm, length 2 m, material steel. galv. zinc-plated and dichromated
98.360.0004.0	Mounting rail TS 35x15-2,3 UNPERF FZN - l:2000mm	Mounting rail TS 35, unslotted, size 15 mm, length 2 m, material steel, hot galvanized
98.370.0000.0	Mounting rail TS 35x15 UNPERF - l:2000mm	Mounting rail TS 35, unslotted, size 15 mm, length 2 m, material steel. galv. zinc-plated and dichromated
98.370.1000.0	Mounting rail TS 35x15 PERF 15mm - l:2000mm	Mounting rail TS 35, slotted, size 15 mm, length 2 m, material steel. galv. zinc-plated and dichromated
98.380.0000.0	Mounting rail TS 35x15-2,3 UNPERF CU - l:2000mm	Mounting rail TS 35, unslotted, size 15 mm, length 2 m, material E copper
07.311.4055.0	End plate AP 4 E /V0	End plate for DIN rail terminal blocks type WK 4 E..., color: grey
07.311.5055.0	Partition TW 4 E /V0	Partition for DIN rail terminal blocks type WK 4 E..., color: grey
Z7.210.3227.0	Jumper bar 9215 - 2	Cross connector for DIN rail terminal blocks type WK 4 ..., 2-pole
Z7.210.3327.0	Jumper bar 9215 - 3	Cross connector for DIN rail terminal blocks type WK 4 ..., 3-pole
Z7.210.3427.0	Jumper bar 9215 - 4	Cross connector for DIN rail terminal blocks type WK 4 ..., 4-pole
Z7.210.3527.0	Jumper bar 9215 - 5	Cross connector for DIN rail terminal blocks type WK 4 ..., 5-pole
Z7.210.3627.0	Jumper bar 9215 - 6	Cross connector for DIN rail terminal blocks type WK 4 ..., 6-pole
Z7.255.2227.0	Jumper bar IVB WK4 E - 2	Jumper comp, insulated for DIN rail terminal blocks type WK ..., 2 - pole
Z7.255.2327.0	Jumper bar IVB WK4 E - 3	Jumper comp, insulated for DIN rail terminal blocks type WK ..., 3 - pole
Z7.255.2427.0	Jumper bar IVB WK4 E - 4	Jumper comp, insulated for DIN rail terminal blocks type WK ..., 4 - pole
Z7.255.2527.0	Jumper bar IVB WK4 E - 5	Jumper comp, insulated for DIN rail terminal blocks type WK ..., 5 - pole
Z7.255.2627.0	Jumper bar IVB WK4 E - 6	Jumper comp, insulated for DIN rail terminal blocks type WK ..., 6 - pole
Z7.255.2727.0	Jumper bar IVB WK4 E - 7	Jumper comp, insulated for DIN rail terminal blocks type WK ..., 7 - pole
Z7.255.2827.0	Jumper bar IVB WK4 E - 8	Jumper comp, insulated for DIN rail terminal blocks type WK ..., 8 - pole
Z7.255.2927.0	Jumper bar IVB WK4 E - 9	Jumper comp, insulated for DIN rail terminal blocks type WK ..., 9 - pole
Z7.255.3027.0	Jumper bar IVB WK4 E - 10	Jumper comp, insulated for DIN rail terminal blocks type WK ..., 10 - pole
Z7.255.3127.0	Jumper bar IVB WK4 E - 11	Jumper comp, insulated for DIN rail terminal blocks type WK ..., 11 - pole
Z7.255.3227.0	Jumper bar IVB WK4 E - 12	Jumper comp, insulated for DIN rail terminal blocks type WK ..., 12 - pole
Z7.271.2227.0	Insulated jumper bar IVB WK4 E/U- 2	Cross connector, insulated for DIN rail terminal blocks type WK ..., 2 - pole

Z7.271.2327.0	Insulated jumper bar IVB WK4 E/U- 3	Cross connector, insulated for DIN rail terminal blocks type WK ..., 3 - pole
Z7.271.2427.0	Insulated jumper bar IVB WK4 E/U- 4	Cross connector, insulated for DIN rail terminal blocks type WK ..., 4 - pole
Z7.271.2527.0	Insulated jumper bar IVB WK4 E/U- 5	Cross connector, insulated for DIN rail terminal blocks type WK ..., 5 - pole
Z7.271.2627.0	Insulated jumper bar IVB WK4 E/U- 6	Cross connector, insulated for DIN rail terminal blocks type WK ..., 6 - pole
Z7.271.3027.0	Insulated jumper bar IVB WK4 E/U-10	Cross connector, insulated for DIN rail terminal blocks type WK ..., 10 - pole
Z7.271.3227.0	Insulated jumper bar IVB WK4 E/U-12	Cross connector, insulated for DIN rail terminal blocks type WK ..., 12 - pole
98.300.1800.0	Mounting rail TS 35x7,5 PERF 18mm - l:2000mm	Mounting rail TS 35, slotted, size 7,5 mm, length 2 m, material steel. galv. zinc-plated and dichromated



- Hutschiene EN 60715-35x7,5
mounting rail EN 60715-35x7,5
- G-Schiene EN 60715-G 32
g-rail EN 60715-G 32
- Hutschiene EN 60715-35x15
mounting rail EN 60715-35x15

ⓑ # = ohne Kennzeichnung der Ex-Zulassung/
without marking the Ex-approval

Teile.-Nr. part-no.	Farbe colour	Type type
57.404.7055.0	grau/grey	WK4 E/U /VO
57.404.7055.1	schwarz/black	WK4 E/U /VO SCHWARZ
ⓑ 57.404.7055.2 #	weiß/white	WK4 E/U /VO WEISS
57.404.7055.4 #	braun/brown	WK4 E/U /VO BRAUN
ⓐ 57.404.7055.5 #	rot/red	WK4 E/U /VO ROT
57.404.7055.6	blau/blue	WK4 E/U /VO BLAU
ⓑ 57.404.7055.7 #	grün/green	WK4 E/U /VO GRÜN
57.404.7055.8 #	gelb/yellow	WK4 E/U /VO GELB
57.404.7055.9 #	orange/orange	WK4 E/U /VO ORANGE

Weitere Daten siehe Katalog
further data see catalog

Tolerierung Size ISO 14405/ⓐ/ Tolerance system Size ISO 14405/ⓐ. (This ISO-standard describes the envelope principle. According to the envelope principle the deviations of form and parallelism are limited by the size tolerances).		ja/yes <input checked="" type="checkbox"/> Stoffverbots- und Deklarationsliste nach UU-TOM-05/03 ist einzuhalten. Conformity with Wieland document UU-TOM-05/03 (list of prohibited / declarable hazardous substances) to be declared!	
Freitoleranz nach DIN ISO 2768 - m General tolerance		CAD - Zeichnung, keine manuellen Änderungen CAD - drawing, no manual modifications allowed	1. Verwendung: - First Use:
Blatt: 1 von 1 Sheet: 1 of 1		Zeichnung Nr./Drawing No. Index	
T 57.404.7055.0 01K b		Maße in mm/Dimensions are in mm	
Werkstoff/Material		2003 Tag/Date	Name
/		gezeichnet/drawn 15.05.	Schmitt
/ Maßstab/Scale		geprüft/checked	-
/ 2:1		Normgepr. Stand. check	-
/ Vol. mm³		Ersatz für/Replacement for: -	
/ Ofl./Surf. mm²		-	
b 29.01.2013/ a 09.11.2006/ Index Datum / Blatt Date / Sheet		Type Benennung/Tittle	
Änderung/Revision		WK 4 E/U	
wieland Elektrische Verbindungen		ETAGENKLEMME modular double-deck terminal	

Weitergabe sowie Vervielfältigung dieses Dokuments, Verwertung und Mitteilung seines Inhalts sind verboten, soweit nicht ausdrücklich gestattet. Die Reproduktion, Distribution und Nutzung dieses Dokuments, sowie die Kommunikation der Inhalte an Dritte ohne schriftliche Genehmigung ist ausdrücklich untersagt.

574047055001K_2 CADW3028_Treschan 2013-01-30T10:24:53 1.000