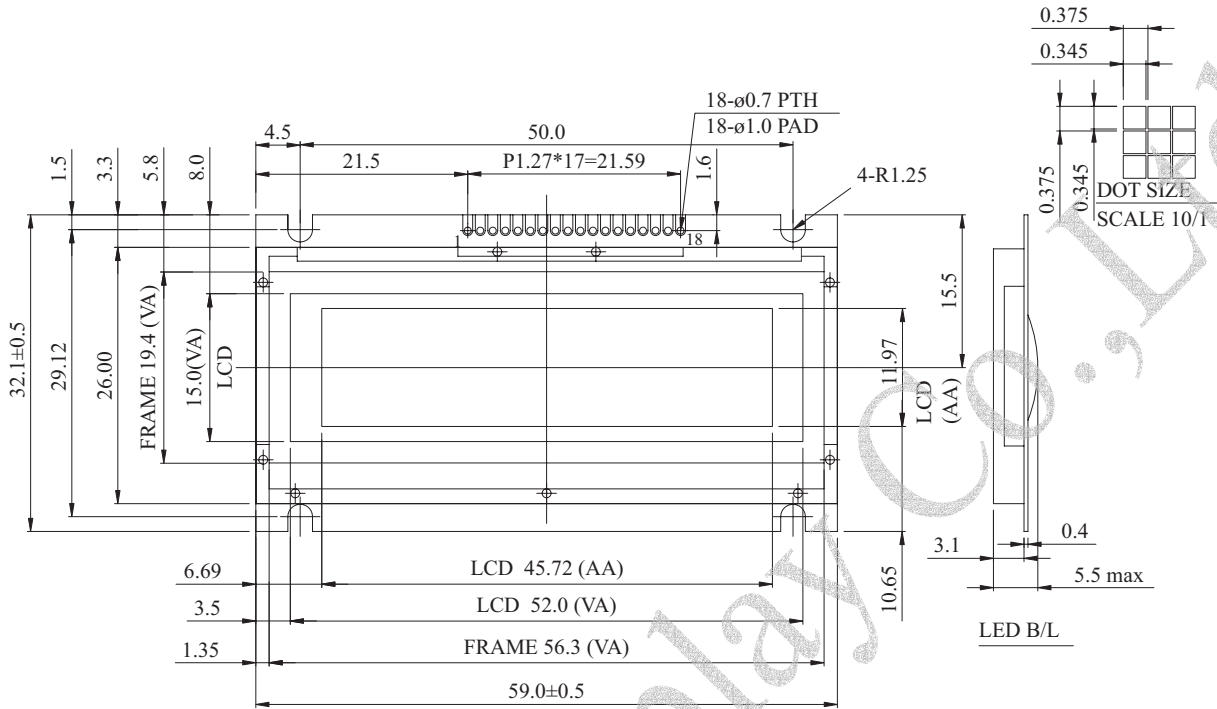


**WG12232K** Graphic 122x32 dots

**Dimension drawing**



**Feature**

- 1. Epson-SED1520, or equivalent
- 2. 1/32 duty cycle

**Mechanical Data**

Item	Standard Value	Unit
Module Dimension	59.0x32.1	mm
Viewing Area	52.0x15.0	mm
Mounting hole	50.0x29.12	mm
Dot Pitch	0.375x0.375	mm

Pin NO.	Symbol	Function
1	K	Power supply for B/L
2	VSS	Ground
3	VDD	Supply voltage for logic
4	VO	Operating voltage for LCD
5	AO	H: Date L: Intruction
6	E1	Enable chip1
7	E2	Enable chip2
8	DB0	Data bus line
9	DB1	Data bus line
10	DB2	Data bus line
11	DB3	Data bus line
12	DB4	Data bus line
13	DB5	Data bus line
14	DB6	Data bus line
15	DB7	Data bus line
16	R/W	H: D0~D7 are display date H: D0~D7 are display control date
17	Vee	Negative Voltage Output(Built-in)
18	A	Power supply for B/L

**Absolute Maximum Rating**

Item	Symbol	Standard Value			Unit
		min.	typ.	max.	
Power Supply	VDD-VSS	2.75	5	5.25	V
Input Voltage	VI	0	---	VDD	V

Note : VSS=0 Volt, VDD=5.0 Volt.

**Electronical Characteristics**

Item	Symbol	Condition	Standard Value			Unit
			min.	typ.	max.	
Input Voltage	VDD	VDD=+5V	4.5	5.0	5.5	V
Supply Current	IDD	VDD=5V	---	1.0	1.4	mA
Recommended LC Driving Voltage for Normal Temp. Version module	VDD-V0	-20°C	5.3	5.5	5.7	V
		0°C	5.1	5.3	5.5	
		25°C	4.7	4.9	5.1	
		50°C	4.3	4.6	4.9	
		70°C	4.1	4.4	4.7	
LED Forward Voltage	VF	25°C	---	4.2	4.6	V
LED Forward Current	IF	25°C	---	40	---	mA
EL Power Supply Current	IEL	Vel=110VAC;400Hz	---	---	---	mA

Graphic type