

Data sheet

Commercial Art.No.: 46.051.5054.1

Device connector RST16i5/4S B1 M03 SW

RST16i5/4 device connector M20,2, 4 pole, female, screw connection, application 250/400V with PE, 16A, coding color black



Commercial Art.No.	46.051.5054.1
EAN	4049088289583
Order Unit	1

Certificates / Approvals



LR

RINA



Technical data

General

Rated current	16 A
Rated voltage	250 V / 400 V
Pollution degree	3
Rated impulse voltage	4 kV
Lockable	self-locking (unlocking by hand)
Color of coding/ contact carrier	black
Marking of poles	1, 2, 3, PE

Connection Data

Connection cross section solid mm ² max.	2.5 mm ²
Connection cross section solid mm ² min.	0.25 mm ²
Connection cross section fine stranded mm ² max.	2.5 mm ²
Connection cross section fine stranded mm ² min.	0.25 mm ²
Terminations per pole	1
Wire strip length	8 mm

Model

Model	female
Connection type	screw connection
Connecting thread metric	M20,2
Angle of plug	straight
Degree of protection (IP)	IP66/68 (3m;2h) /IP69
Thickness of housings (electrical device) 2	0.5 mm
Thickness of housings (electrical device)	5 mm

Material

Housing material	Polyamide
halogen free	yes
Contact material	CuZn
Fire load	0.083 kWh
Insulation components continuous temperature	100 °C
Surface finish	Silver-plated

Dimensions

Length	41.6 mm
Width	24 mm
Height	24 mm

Classification

ECLASS 11	
ECLASS 8.1	27440602
ETIM 7.0	EC002566
ETIM 6.0	EC002566
ETIM 5.0	EC002566
ETIM 4.0	EC002566

Note

Note	RST® terminals with screw clamping allow the connection of conductors without special preparation (without ferrules) according to EN 60999-1.; Positioning realised with flattened thread
------	---

Product compliance

ROHS conformity status	Compliant/Exempted
ROHS exceptions	III-6(c)
REACH-SVHC conformity status	Duty-To-Declare
REACH-SVHC substances	Lead
REACH-SVHC CAS numbers	7439-92-1

Fits with

Commercial Art.No.:	Article-type description:	Description:
46.052.4554.1	Connector RST16I5/4S S1 ZT6 SW	RST16i5/4 connector, 4 pole, male, screw connection, application 250/400V with PE, 16A, for cable diameters 7.1-13mm, coding color black, color of housing black
46.052.4154.1	Connector RST16I5/4S S1 ZT5 SW	RST16i5/4 connector, 4 pole, male, screw connection, application 250/400V with PE, 16A, for cable diameters 10-14.5mm, coding color black, color of housing black

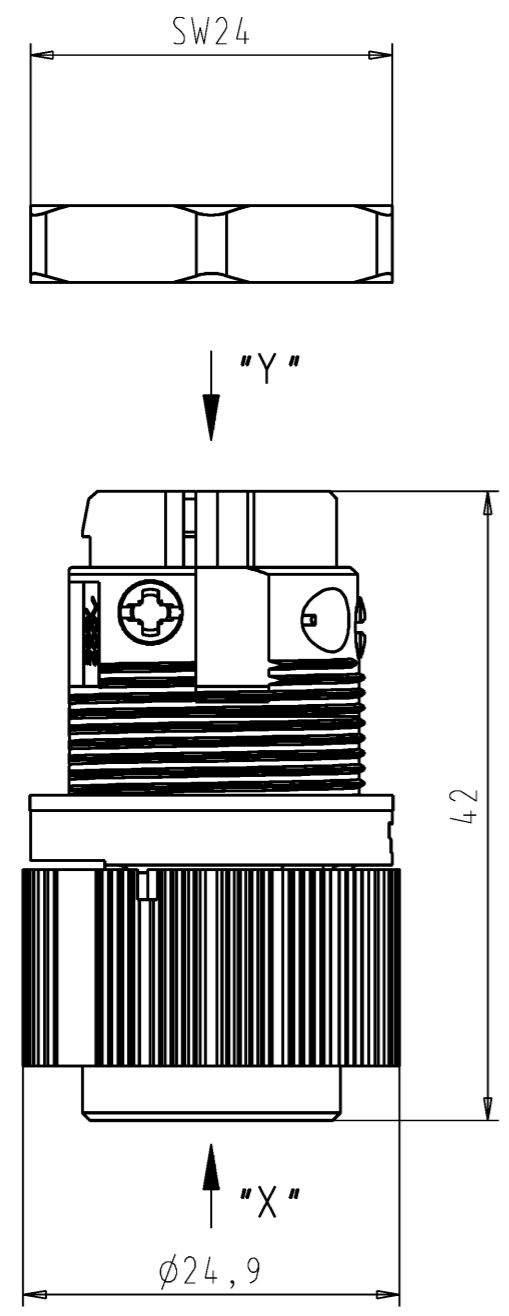
A
 Weitergabe sowie Vervielfältigung dieses Dokuments, Verwertung und Mitteilung seines Inhalts sind verboten, soweit nicht ausdrücklich gestattet. The reproduction, distribution and utilization of this document as well as the communication of its contents to others without express authorization is prohibited.

B
 These dimensions will be especially checked at delivery
 Only inspection dimensions
 With /E marked dimensions are only valid for internal use

C
 Diese Maße werden bei Abnahme besonders geprüft
 Ausschließlich Prüfmaße
 Mit /E gekennzeichnete Maße sind nur für interne Zwecke gültig

F

Auslieferungszustand
 delivery condition

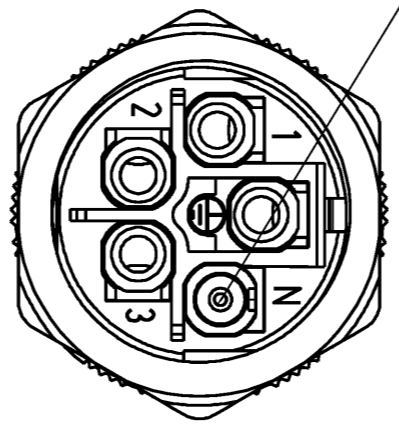


"X"

46.051.5054.0/1

"Y"

Pol nicht montiert
 pol not mounted

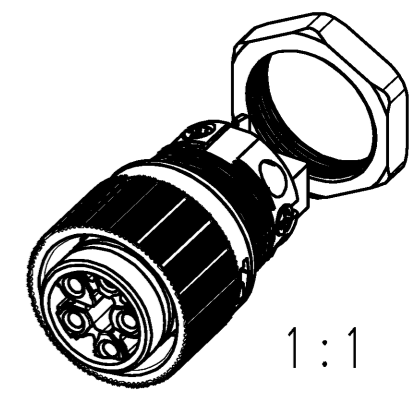
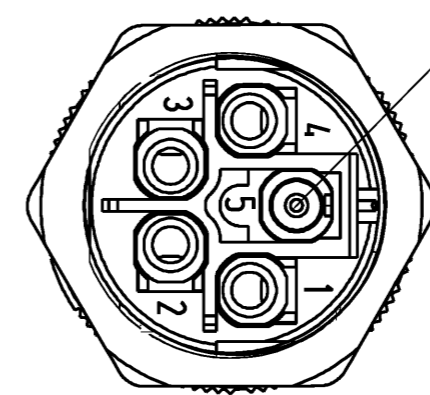


"X"

46.051.5051.4

"Y"

Pol nicht montiert
 pol not mounted



Weitere Daten siehe Katalog
 further data see catalog

Teile - Nr. part - no.	Typ type	Farbe colour
46.051.5054.0	RST1615/4S B1 M03 GL	lichtgrau/light grey RAL 7035
46.051.5054.1	RST1615/4S B1 M03 SW	schwarz/black RAL 9005
46.051.5051.4	RST1615/4S B1 M03 L BR	signalbraun/signal brown RAL 8002

Tolerierung Size ISO 14405 © / Tolerance system Size ISO 14405 ©. (This ISO-standard describes the envelope principle. According to the envelope principle the deviations of form and parallelism are limited by the size tolerances). ja/yes Stoffverbots- und Deklarationsliste nach WN 5020.010 ist einzuhalten. Conformity with Wieland document WN 5020.010 e (list of prohibited / declarable hazardous substances) to be declared!

Freitoleranz nach General tolerance CAD - Zeichnung, keine manuellen Änderungen CAD - drawing, no manual modifications allowed 1. Verwendung: First Use: Blatt: 1 von 1 Sheet: 1 of 1

Werkstoff / Material		Tag/Date	Name	Zeichnung Nr. / Drawing No.		Index
/	Maßstab / Scale	gezeichnet/drawn	17.11.2015	Treschan	T 46.051.5054.0 01K	a
/	2:1	geprüft/checked				
/	Vol. mm ³ Dfl./Srf. mm ²	Normgepr. Stand. check				
Ersatz für / Replacement for:		Type		Benennung/Title		
a	10.04.2019 / Datum / Blatt Date / Sheet	www.wieland-electric.com		RST16...	BUCHSENTEIL_GA_4P FEMALE 4P	
Änderung / Revision						