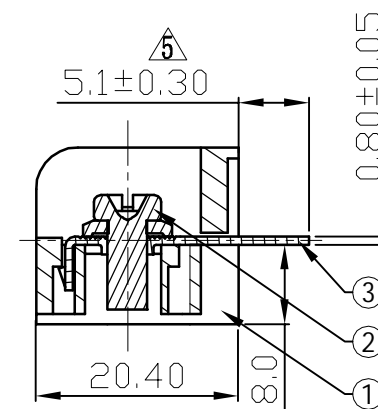
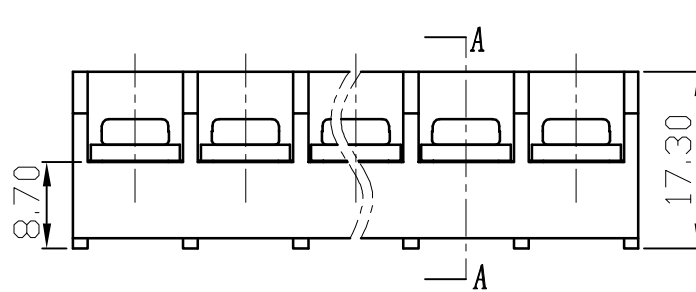
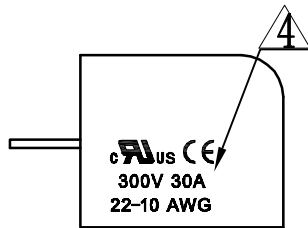
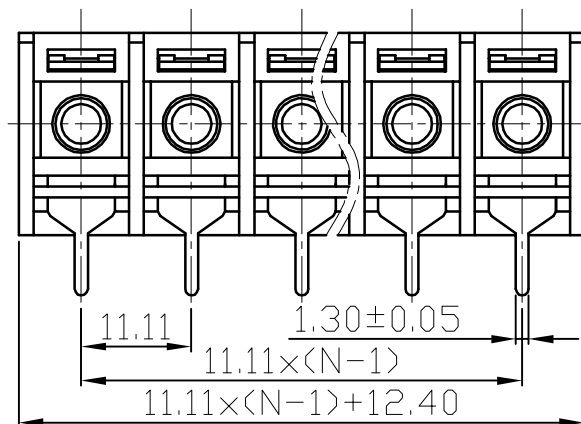
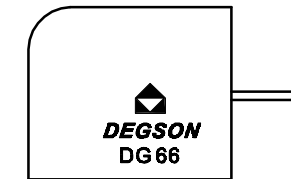


REVISION RECORD					
REV	ECD	DESCRIPTION	DRFT	DATE	
△		螺丝料号由 S000000520 变更到 S000000580	DZJ	06/29/05	
△		品脚尺寸由 5.00±0.10 变更到 5.00±0.20	DZJ	06/29/05	
△		产品名称由 DG66B 变更为 DG66R	CSX	02/17/06	
△		增加 UL 刻字	CSX	04/18/07	
△		品名、料号增加环保标识“(H)”	YeJ	12/08/07	
△		按实物 5.0±0.3 改为 5.1±0.3	LJH	01/02/09	



Section A-A



Notes:

- Pitch: 11.11mm, Poles: 2-12P
- Rated voltage/current: UL 300V/30A  
IEC 450V/41A
- Operation temperatures: -40°C ~ +105°C
- Withstanding Voltage: AC2000V/1min
- Insulation Resistance: 5000MΩ/DC1000V
- Wire Range: 22~10AWG, 6mm<sup>2</sup>
- Max. Torque Value: M4, 12.24kgf.cm
- Undimensioned Tolerances:

Pitch range in mm			Nominal dimension range in mm					
to	over	over	to	over	over	over	over	
6	10	24	30	60	100	150		—
±0.10	±0.15	±0.25	±0.2	±0.3	±0.5	±0.7	±1.0	0.05/10

3	DG66 level pin header	5014B00030 (H)	XX	Brass	SnCe
2	M4*8 (9*9) big cover and bright screws	S000000580 (H)	XX	Steel	Ni plated
1	DG66R-B Housing	5014A0YXXA (H)	1	PA66	UL94V-0
ITEM	NAME OF PART	NO. OF PART	Q'TY	MATERIAL	NOTES
DETAILED LISTS		DF TO WSJ	DATE 03/19/04"		
TOLERANCES EXCEPT AS NOTED		CHKD	DATE		
MM		MFD	DATE		
.0 ±		APPVL	DATE		
.00 ±		MATERIAL :			
.000 ±		G.E :			
ANGLES ± 1°		FINISH:			
THIRD ANGLE PROJECTION		SCALE : 1:1			
NAME				DEGSON® 宁波高正电子有限公司 DEGSON ELECTRONICS CO., LTD	
DRAWING NO. DG66R-E01				SIZE	REV
/PART NO.				A3	T5
DO NOT SCALE DRAWING				SHEET 1	OF 1