

## Data sheet

Commercial Art.No.: 25.857.0453.0

PCB pin header 8213 SUFK / 4 TOP

PCB pin header with tension spring connection, 4 poles, printed version, max. cross section: 2.5 mm<sup>2</sup>, pitch: 5.08 mm, type of packing: carton, color: grey



Commercial Art.No.	25.857.0453.0
EAN	4015573562714
Order Unit	50

Certificates / Approvals



## Technical data

### General

Modular spacing	5.08 mm
Connection type	spring clamp connection
Soldering process	None
Packaging	Carton
Number of poles	4
Marking	yes
Fastening	None
Mating direction towards connector	180°

### Technical data

Nominal cross section	2.5 mm <sup>2</sup>
Rated current	12 A
Overvoltage Category I	1000 V
Overvoltage Category II	400 V
Overvoltage Category III	250 V
Rated impulse voltage	4 kV
Wire strip length	11 mm

### Connection Data

Minimum cross section solid	0.14 mm <sup>2</sup>
Maximum cross section solid	2.5 mm <sup>2</sup>
Minimum cross section fine stranded	0.14 mm <sup>2</sup>
Maximum cross section fine stranded	2.5 mm <sup>2</sup>
Wire strip length	11 mm

### Technical Data UL/CSA

Cross section UL	22-12 AWG
Voltage UL	300 V
Current field wiring	12 A
Current factory wiring	12 A
Cross section CSA	22-12 AWG
Voltage CSA	300 V
Current CSA	12 A

#### Other

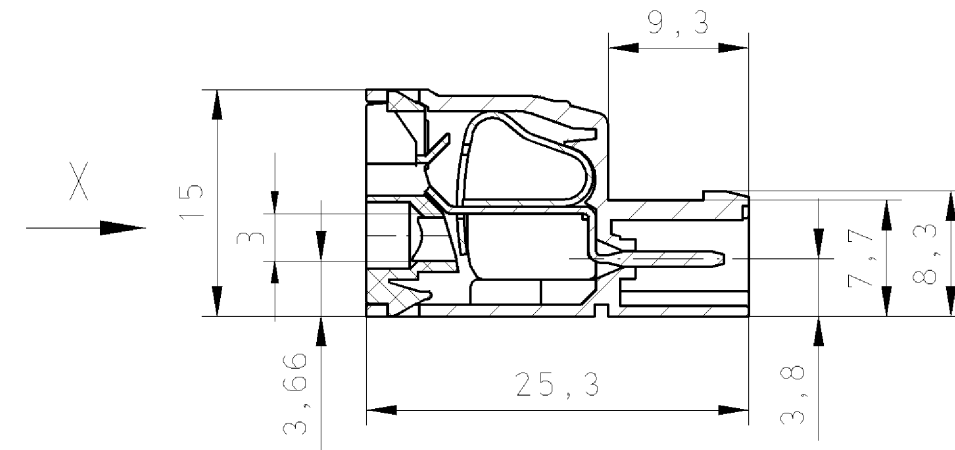
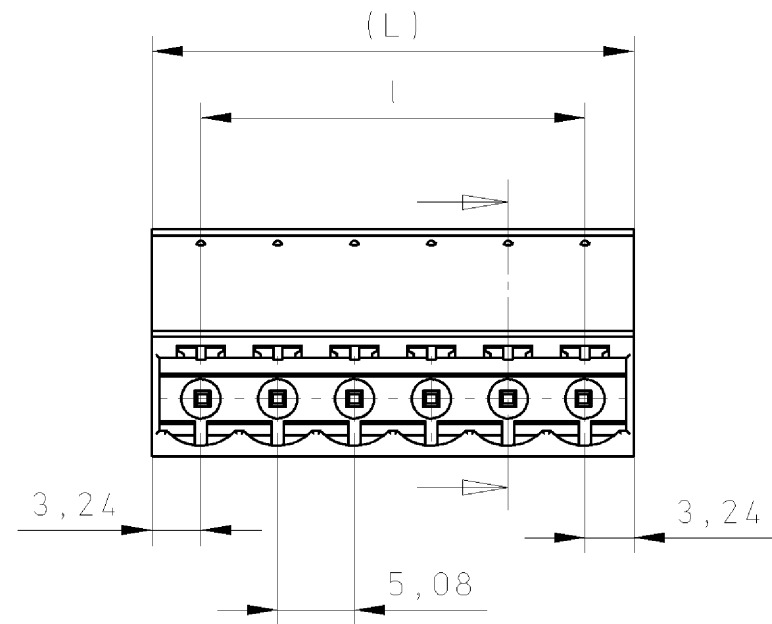
Type of insulation material	Thermoplastic
Color	Grey
Height	15 mm
Length	20.32 mm
Depth	25.3 mm
Material attachment screw	None
Material contact base	Steel
Material contact surface	Sn

#### Classification

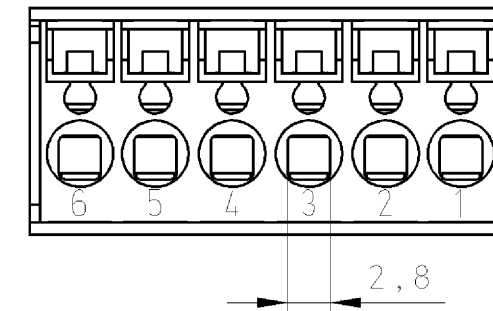
ECLASS 11	
ECLASS 8.1	27440402
ETIM 7.0	EC002637
ETIM 6.0	EC002637
ETIM 5.0	EC002637
ETIM 4.0	EC002637

#### Fits with

Commercial Art.No.:	Article-type description:	Description:
25.840.3453.0	PCB connector 8213 BFK / 4 TOP OB	PCB female connector with tension spring connection, 4 poles, max. cross section: 2.5 mm <sup>2</sup> , pitch: 5.08 mm, type of packing: carton, color: grey
25.840.0453.0	PCB connector 8213 BFK / 4 TOP	PCB female connector with tension spring connection, 4 poles, printed version, max. cross section: 2.5 mm <sup>2</sup> , pitch: 5.08 mm, type of packing: carton, color: grey



Ansicht "X"  
view "X"



gezeichnete Ausführung: 6-polig  
drawn version: 6-poles

Teile - Nr. part - no.	Polzahl pole	(L)	l	Typ type
25.857.0253.0	2	11,56	5,08	8213 SUFK/ 2
25.857.0353.0	3	16,64	10,16	8213 SUFK/ 3
25.857.0453.0	4	21,72	15,24	8213 SUFK/ 4
25.857.0553.0	5	26,80	20,32	8213 SUFK/ 5
25.857.0653.0	6	31,88	25,40	8213 SUFK/ 6
25.857.0753.0	7	36,96	30,48	8213 SUFK/ 7
25.857.0853.0	8	42,04	35,56	8213 SUFK/ 8
25.857.0953.0	9	47,12	40,64	8213 SUFK/ 9
25.857.1053.0	10	52,20	45,72	8213 SUFK/10
25.857.1153.0	11	57,28	50,80	8213 SUFK/11
25.857.1253.0	12	62,36	55,88	8213 SUFK/12
25.857.1353.0	13	67,44	60,96	8213 SUFK/13
25.857.1453.0	14	72,52	66,04	8213 SUFK/14
25.857.1553.0	15	77,60	71,12	8213 SUFK/15
25.857.1653.0	16	82,68	76,20	8213 SUFK/16
25.857.1753.0	17	87,76	81,28	8213 SUFK/17
25.857.1853.0	18	92,84	86,36	8213 SUFK/18
25.857.1953.0	19	97,92	91,44	8213 SUFK/19
25.857.2053.0	20	103,00	96,52	8213 SUFK/20
25.857.2153.0	21	108,08	101,60	8213 SUFK/21
25.857.2253.0	22	113,16	106,68	8213 SUFK/22
25.857.2353.0	23	118,24	111,76	8213 SUFK/23
25.857.2453.0	24	123,32	116,84	8213 SUFK/24

Weitere Daten siehe Katalog  
further data see catalog

Tolerierung nach DIN 7167/Tolerance system acc. to DIN 7167. (This DIN-standard describes the envelope principle. According to the envelope principle the deviations of form and parallelism are limited by the size tolerances).				ja/yes <input checked="" type="checkbox"/> Stoffverbots- und Deklarationsliste nach UU-TQM-05/03 ist einzuhalten. Conformity with Wieland document UU-TQM-05/03 (list of prohibited / declarable hazardous substances) to be declared!			
Freitoleranz nach General tolerance		CAD - Zeichnung, keine manuellen Änderungen CAD - drawing, no manual modifications allowed		1. Verwendung: First Use:		Blatt: 1 von 1 Sheet: of 1	
/		Werkstoff/Material Farbe/colour: grau/grey		2008 Tag/Date Name		Zeichnung Nr./Drawing No.	
/		Bedruckung: schwarz printing: black		gezeichnet drawn 25.02. Treschan		T 25.857.0253.0 01K	
/		Maßstab/Scale 2:1		geprüft checked -		Index	
/		Vol. mm <sup>3</sup> Ofl./Surf. mm <sup>2</sup>		Nicht gepr. Stand. check -		Maße in mm/Dimensions are in mm	
/		Vol. mm <sup>3</sup> Ofl./Surf. mm <sup>2</sup>		Ersatz für/Replacement for: -			
/		wieland		Type		Benennung/Title LP_header	
/		Elektrische Verbindungen				LP_STIFTLISTE	
Index Datum / Blatt Date / Sheet						mit Federkraftanschluß, Rastermaß: 5,08mm with spring clamp connection, pitch: 5,08mm	
Änderung/Revision							

These dimensions will be especially checked at delivery  
Only inspection dimensions  
Mit/with circled dimensions are only valid for internal use

Diese Maße werden bei Abnahme besonders geprüft  
Ausschließlich Prüfmaße  
Mit/with rektanguläre Maße sind nur für interne Zwecke gültig

Weitergabe sowie Vervielfältigung dieses Dokuments, Verwertung und Mitteilung seines Inhalts sind verboten, soweit nicht ausdrücklich gestattet.  
The reproduction, distribution and utilization of this document as well as the communication of its contents to others without express authorization is prohibited.

258570253001K\_4\_CADW1044\_treschan.2008-02-25T11:13:33 1.000

QU-PEM-08/91