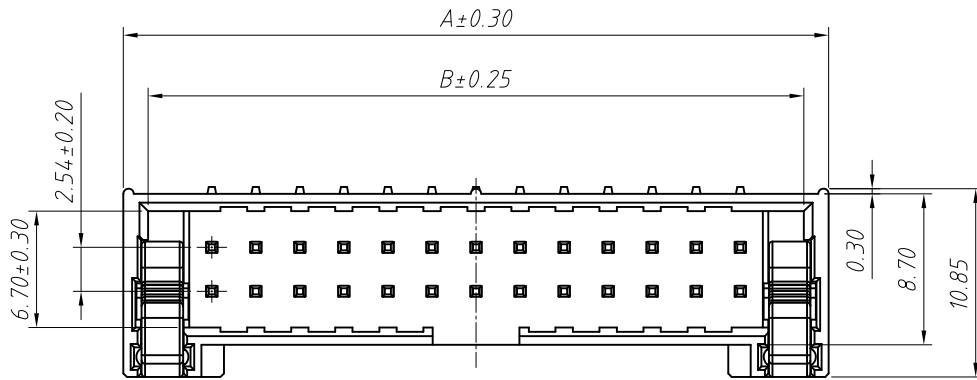


1 RoHS Compliance

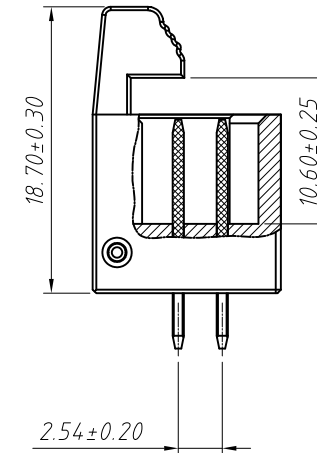
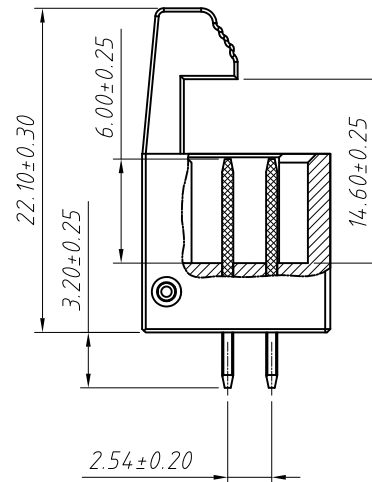
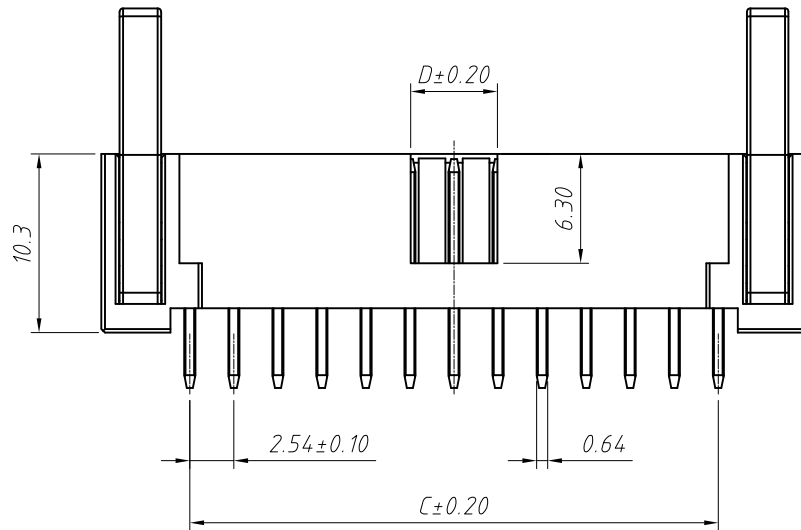


| PINS | A | B | C | D |
|------|-------|-------|-------|------|
| 6 | 15.28 | 12.42 | 5.08 | 2.30 |
| 8 | 17.82 | 14.96 | 7.62 | 2.30 |
| 10 | 20.36 | 17.50 | 10.16 | 5.00 |
| 12 | 22.90 | 20.04 | 12.70 | 5.00 |
| 14 | 25.44 | 22.58 | 15.24 | 5.00 |
| 16 | 27.98 | 25.12 | 17.78 | 5.00 |
| 20 | 33.06 | 30.20 | 22.86 | 5.00 |
| 24 | 37.14 | 35.28 | 27.94 | 5.00 |
| 26 | 40.68 | 37.82 | 30.48 | 5.00 |
| 30 | 45.76 | 42.90 | 35.56 | 5.00 |
| 34 | 50.84 | 47.98 | 40.64 | 5.00 |
| 40 | 71.16 | 55.60 | 48.26 | 5.00 |
| 50 | 71.16 | 68.30 | 60.96 | 5.00 |
| 60 | 83.86 | 81.00 | 73.66 | 5.00 |
| 64 | 88.94 | 86.08 | 78.74 | 5.00 |

Material:
Housing: PBT, UL 94 V-0
Contact: Brass
Plating: Au or Sn Over Ni

Electrical Characteristics:
Rated Current: 3.0AMP
Contact Resistance: 20mΩ Max
Withstand Voltage: 500V AC/DC
Insulator Resistance: 1000MΩ Min

Mechanical
Operating Temperature: -40°C ~ +105°C
Max. Processing Temp: 180°C for 30-60 seconds (200°C for 10 seconds)

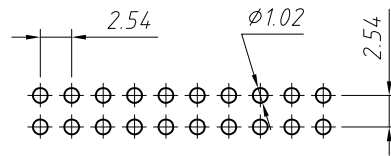


Order Information:
L-KLS1-202F-XX-S-B-D-A

L: RoHS
Box Header Series
202F: 2.54mm Pitch
XX-No. of 06 ~ 64 pin
Type: S-Straight pin
R-Right Angle Pin T-SMT
Color: B-Black G-Gray
Latch Type: D=Long Latch
D1=Short Latch
Material: A=PBT B=PA6T

D=Long Latch

D1=Short Latch



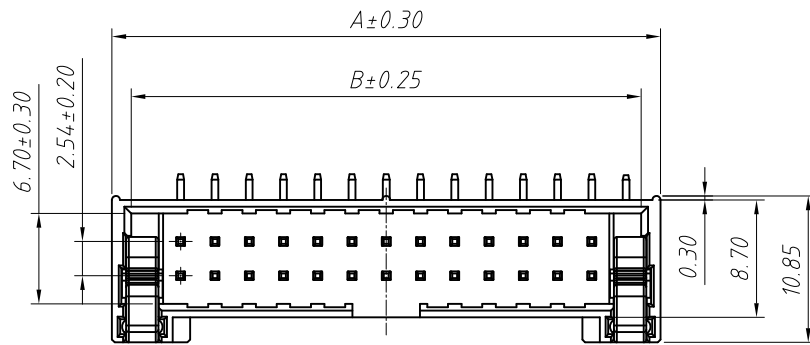
Recommended P.C.B Layout (Top Side)
(PCB BOARD TOLERANCE ±0.05)

| ANGLE TOLERANCE | PROJECTION | Description: |
|-------------------|------------|-----------------------------------|
| ±3° | | 2.54mm Pitch Box Header Connector |
| GENERAL TOLERANCE | UNITS | mm |
| x.x ±0.30 | SHEET SIZE | A4 |
| x.xx ±0.20 | Draw: | Daniel 2018-07-10 |
| x.xxx ±0.10 | Check: | Daniel 2018-07-10 |



NingBo KLS ELECTRONIC CO., L TD.

RoHS Compliance



| PINS | A | B | C | D |
|------|-------|-------|-------|------|
| 6 | 15.28 | 12.42 | 5.08 | 2.30 |
| 8 | 17.82 | 14.96 | 7.62 | 2.30 |
| 10 | 20.36 | 17.50 | 10.16 | 5.00 |
| 12 | 22.90 | 20.04 | 12.70 | 5.00 |
| 14 | 25.44 | 22.58 | 15.24 | 5.00 |
| 16 | 27.98 | 25.12 | 17.78 | 5.00 |
| 20 | 33.06 | 30.20 | 22.86 | 5.00 |
| 24 | 37.14 | 35.28 | 27.94 | 5.00 |
| 26 | 40.68 | 37.82 | 30.48 | 5.00 |
| 30 | 45.76 | 42.90 | 35.56 | 5.00 |
| 34 | 50.84 | 47.98 | 40.64 | 5.00 |
| 40 | 71.16 | 55.60 | 48.26 | 5.00 |
| 50 | 71.16 | 68.30 | 60.96 | 5.00 |
| 60 | 83.86 | 81.00 | 73.66 | 5.00 |
| 64 | 88.94 | 86.08 | 78.74 | 5.00 |

Material:

Housing: PBT, UL 94V-0

Contact: Brass

Plating: Au or Sn Over Ni

Electrical Characteristics:

Rated Current: 3.0AMP

Contact Resistance: 20mΩ Max

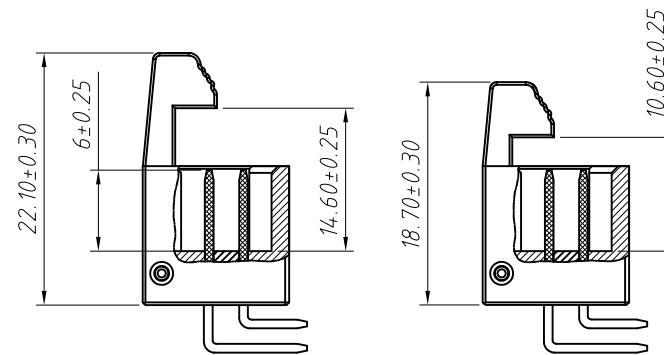
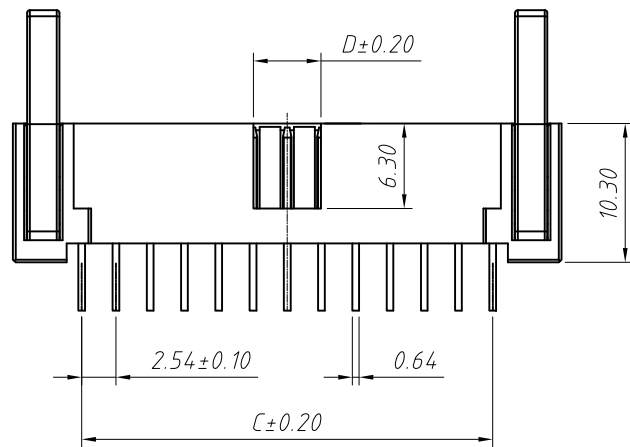
Withstand Voltage: 500V AC/DC

Insulator Resistance: 1000MΩ Min

Mechanical

Operating Temperature: -40°C ~ +105°C

Max. Processing Temp: 180°C for 30-60 seconds (200°C for 10 seconds)

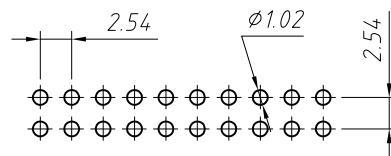
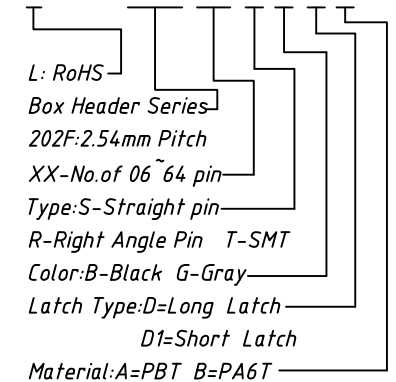


D=Long Latch

D1=Short Latch

Order Information:

L-KLS1-202F-XX-R-B-D-A



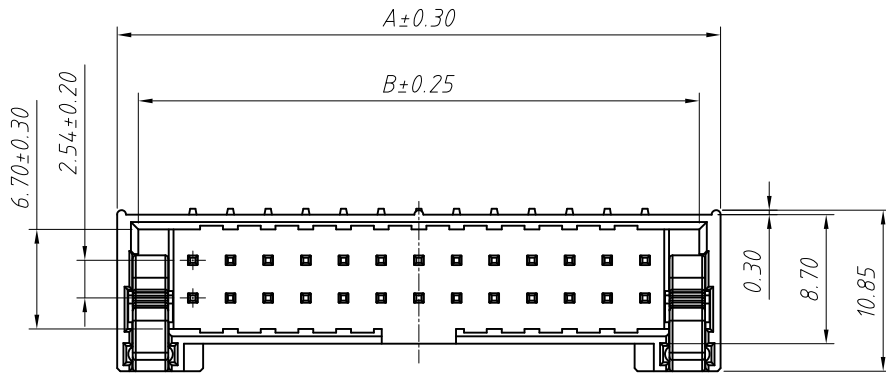
Recommended P.C.B Layout (Top Side)
(PCB BOARD TOLERANCE ±0.05)

| ANGLE TOLERANCE | PROJECTION | Description: | | |
|-------------------|------------|-----------------------------------|------------|------------------------|
| ±3° | | 2.54mm Pitch Box Header Connector | | |
| GENERAL TOLERANCE | UNITS | mm | KLS P/N: | L-KLS1-202F-XX-R-B-D-A |
| x.x ±0.30 | SHEET SIZE | A4 | | |
| x.xx ±0.20 | Draw: | Daniel | 2018-07-10 | |
| x.xxx ±0.10 | Check: | Daniel | 2018-07-10 | |



NingBo KLS ELECTRONIC CO.,LTD.

1 RoHS Compliance

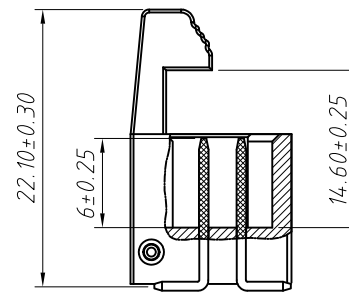
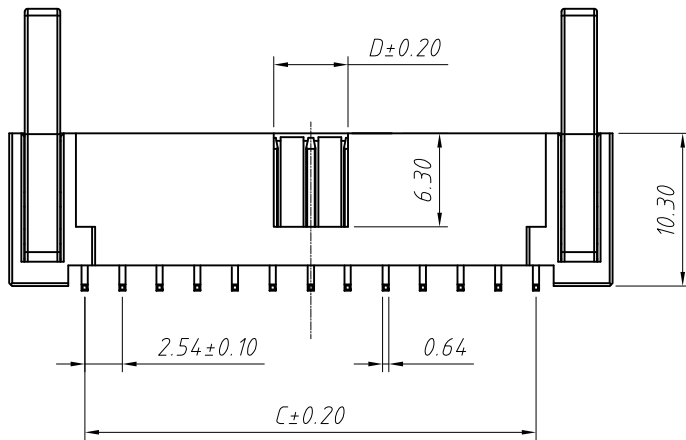


| PINS | A | B | C | D |
|------|-------|-------|-------|------|
| 6 | 15.28 | 12.42 | 5.08 | 2.30 |
| 8 | 17.82 | 14.96 | 7.62 | 2.30 |
| 10 | 20.36 | 17.50 | 10.16 | 5.00 |
| 12 | 22.90 | 20.04 | 12.70 | 5.00 |
| 14 | 25.44 | 22.58 | 15.24 | 5.00 |
| 16 | 27.98 | 25.12 | 17.78 | 5.00 |
| 20 | 33.06 | 30.20 | 22.86 | 5.00 |
| 24 | 37.14 | 35.28 | 27.94 | 5.00 |
| 26 | 40.68 | 37.82 | 30.48 | 5.00 |
| 30 | 45.76 | 42.90 | 35.56 | 5.00 |
| 34 | 50.84 | 47.98 | 40.64 | 5.00 |
| 40 | 71.16 | 55.60 | 48.26 | 5.00 |
| 50 | 71.16 | 68.30 | 60.96 | 5.00 |
| 60 | 83.86 | 81.00 | 73.66 | 5.00 |
| 64 | 88.94 | 86.08 | 78.74 | 5.00 |

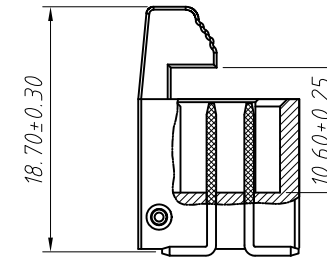
Material:
Housing:PBT,UL94V-0
Contact:Brass
Plating:Au or Sn Over Ni

Electrical Characteristics:
Rated Current: 3.0AMP
Contact Resistance: 20mΩ Max
Withstand Voltage: 500V AC/DC
Insulator Resistance: 1000MΩ Min

Mechanical
Operating Temperature: -40°C ~ +105°C
Max.Processing Temp:180°C for 30-60 seconds (200°C for 10 seconds)

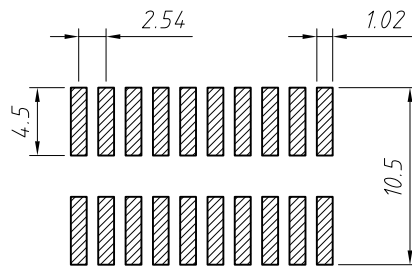


D=Long Latch



D1=Short Latch

Order Information:
L-KLS1-202F-XX-T-B-D-A-T
L: RoHS
Box Header Series
202F:2.54mm Pitch
XX-No.of 06 ~ 64 pin
Type:S-Straight pin
R-Right Angle Pin T-SMT
Color:B-Black G-Gray
Latch Type:D=Long Latch
D1=Short Latch
Material:A=PBT B=PA6T
Packing:
T=Tube P=Tube+Cap R=Reel+Cap



Recommended P.C.B Layout (Top Side)
(PCB BOARD TOLERANCE±0.05)

| ANGLE TOLERANCE | PROJECTION | Description: |
|-------------------|------------|-----------------------------------|
| ±3° | | 2.54mm Pitch Box Header Connector |
| GENERAL TOLERANCE | UNITS | mm |
| x.x ±0.30 | SHEET SIZE | A4 |
| x.xx ±0.20 | Draw: | Daniel 2018-07-10 |
| x.xxx ±0.10 | Check: | Daniel 2018-07-10 |



NingBo KLS ELECTRONIC CO.,L TD.