

## Data sheet

Commercial Art.No.: 25.397.3453.0

PCB pin header 8213 S / 4 S1 OB

PCB pin header, connection method depends on used socket part , 4 poles, pitch:  
5.08 mm, type of packing: carton, color: grey



Commercial Art.No.	25.397.3453.0
EAN	4015573321472
Order Unit	50

Certificates / Approvals



## Technical data

### General

Modular spacing	5.08 mm
Soldering process	Wave soldering
Packaging	Carton
Number of poles	4
Number of levels	1
Marking	No
Fastening	None
Mating direction towards (circuit) board	45°

### Technical data

Rated current	12 A
Overvoltage Category I	1000 V
Overvoltage Category II	400 V
Overvoltage Category III	250 V
Rated impulse voltage	4 kV

### Technical Data UL/CSA

Voltage UL	300 V
Current field wiring	15 A
Current factory wiring	15 A
Voltage CSA	300 V
Current CSA	15 A

### Other

Type of insulation material	Thermoplastic
Color	Grey
Height	14.6 mm

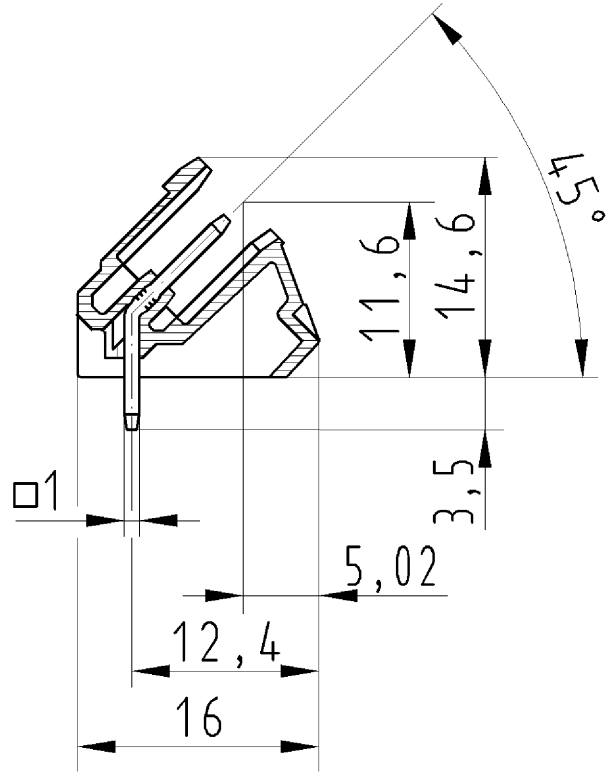
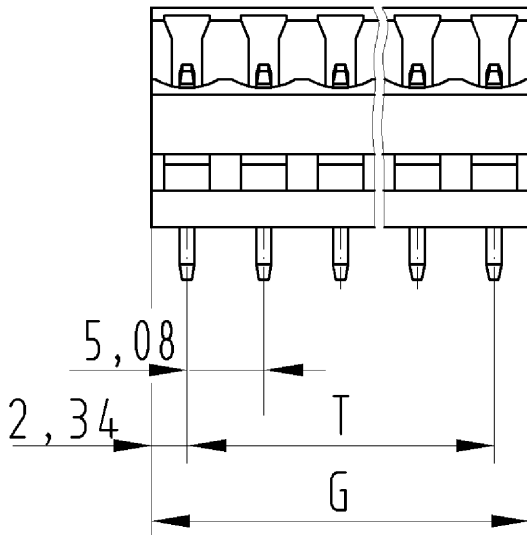
Length	19.92 mm
Depth	16 mm
Material contact base	CuZn
Material contact surface	Sn

**Classification**

ECLASS 11	
ECLASS 8.1	27440402
ETIM 7.0	EC002637
ETIM 6.0	EC002637
ETIM 5.0	EC002637
ETIM 4.0	EC002637

**Product compliance**

ROHS conformity status	Compliant
REACH-SVHC conformity status	Compliant



für folgende Tabellen-Zchnng.:  
25.397.3253.0 8213 S/...S1

LP.STIFTLEISTE  
25.397.3253.0 10W  
12.11.2007 SCJ  
M 2:1