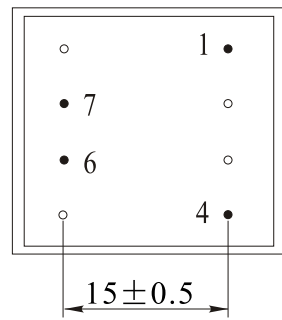
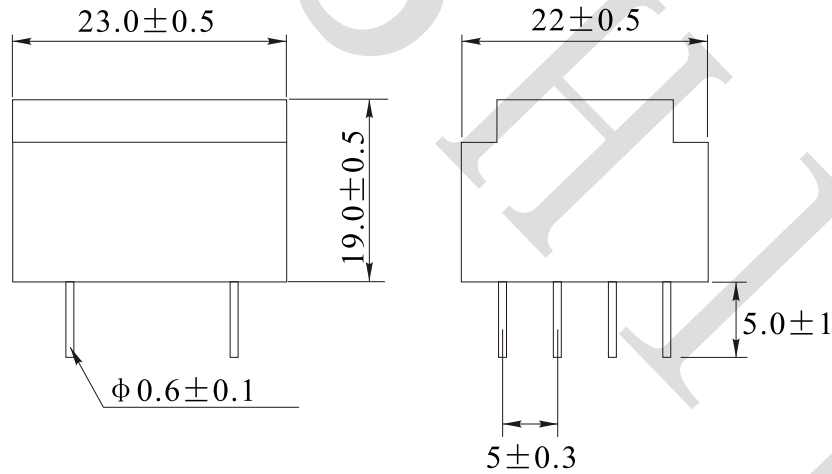


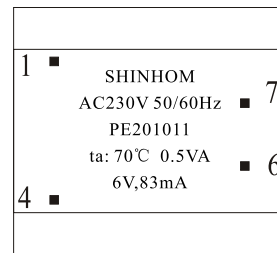
| Rev. | Description | Date       |
|------|-------------|------------|
| A0   | New release | 2022.09.13 |
|      |             |            |
|      |             |            |

### 1. PHYSICAL CHARACTERISTICS (mm)



Bottom view

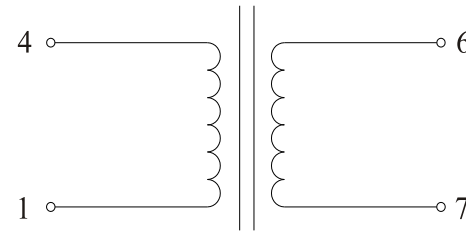
#### Top marking



#### NOTES:

Temp 20°C 48%RH  
RoHS Compliant

### 2. ELECTRONICAL SCHEMATIC



### 3. ELECTRONICAL SPECIFICATIONS

Pri voltage: 230V,50Hz-60Hz

Sec load voltage: 6.0V±0.5V@83mA

Noload votlage: 9.0V±0.5V

Output Power: 0.5VA

Hi-Pot: 3500V,50Hz,1mA,10S Pri to Sec

#### Note:

- Solderability: leads shall meet MIL-STD-202, Method 208D for solderability.
- Flammability: UL94V-0
- ASTM oxygen index: >28%

|               |                   |            |            |
|---------------|-------------------|------------|------------|
| NAME:         | Power Transformer |            |            |
| CUSTOMER P/N: | BV202 0154        | DATE:      | 2022-09-13 |
| SHINHOM P/N:  | PE201011          | REV: A0    | PAGE       |
| DRAWN BY      | CHECKED BY        | APPROVE BY |            |



**SHINHOM**  
SHAANXISHINHOM ENTERPRISE CO LTD

The Document property belong to SHINHOM & is not allowed to be duplicated without authorization