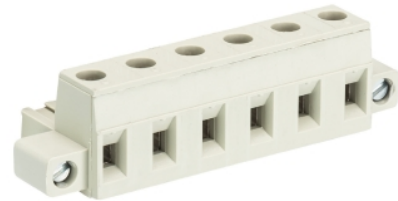


Data sheet

Commercial Art.No.: 25.324.4353.0

PCB connector 8413 B / 3 F

PCB female connector with screw connection with rising cage clamp system, 3 poles, printed version, max. cross section: 2.5 mm², pitch: 7.62 mm, type of packing: carton, color: grey



Commercial Art.No.	25.324.4353.0
EAN	4015573335653
Order Unit	100

Certificates / Approvals



Technical data

General

Modular spacing	7.62 mm
Connection type	screw connection
Soldering process	None
Packaging	Carton
Number of poles	3
Marking	yes
Fastening	Flange
Mating direction towards connector	180°

Technical data

Nominal cross section	2.5 mm ²
Rated current	12 A
Overvoltage Category I	1000 V
Overvoltage Category II	690 V
Overvoltage Category III	400 V
Rated impulse voltage	4 kV
Wire strip length	6 mm

Connection Data

Minimum cross section solid	0.14 mm ²
Maximum cross section solid	2.5 mm ²
Minimum cross section fine stranded	0.14 mm ²
Maximum cross section fine stranded	2.5 mm ²
Wire strip length	6 mm

Technical Data UL/CSA

Cross section UL	22-12 AWG
------------------	-----------

Voltage UL	300 V
Current field wiring	15 A
Current factory wiring	15 A
Cross section CSA	22-12 AWG
Voltage CSA	300 V
Current CSA	15 A

Other

Type of insulation material	Thermoplastic
Color	Grey
Height	15 mm
Length	20.74 mm
Depth	18.2 mm
Material attachment screw	CuSn/Steel
Material contact base	CuSn
Material contact surface	Sn

Classification

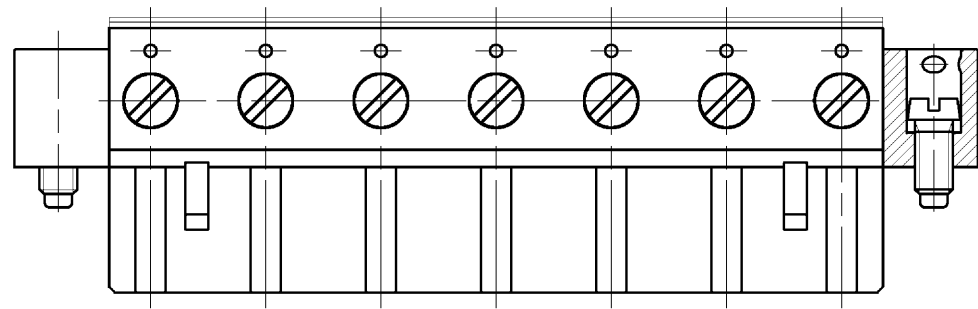
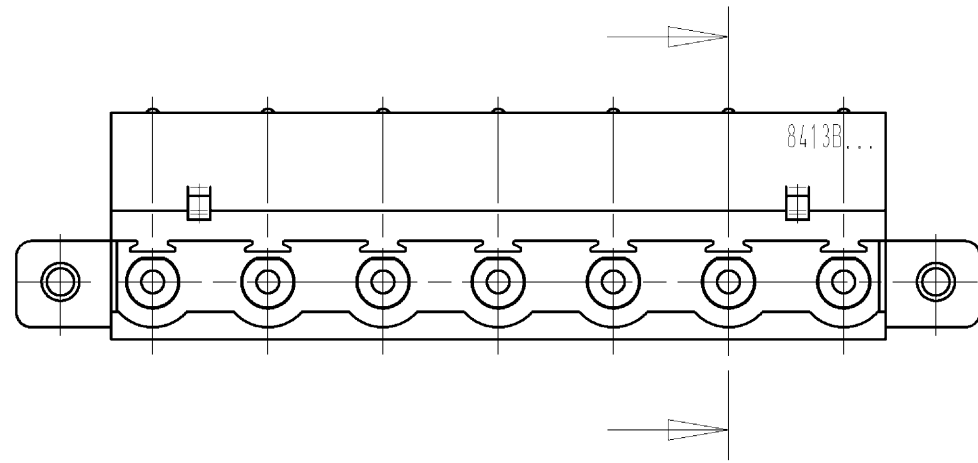
ECLASS 11	
ECLASS 8.1	27440402
ETIM 7.0	EC002637
ETIM 6.0	EC002637
ETIM 5.0	EC002637
ETIM 4.0	EC002637

Product compliance

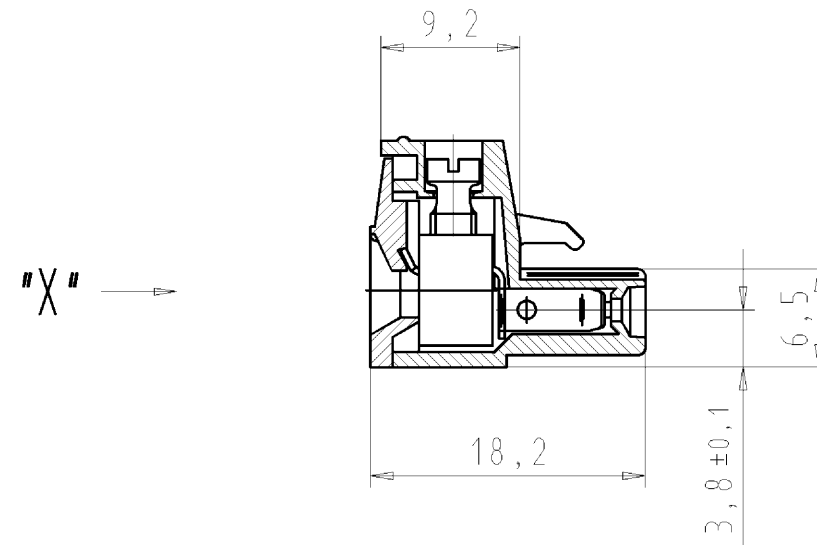
ROHS conformity status	Compliant/Exempted
ROHS exceptions	III-6(c)
REACH-SVHC conformity status	Duty-To-Declare
REACH-SVHC substances	Lead
REACH-SVHC CAS numbers	7439-92-1

Fits with

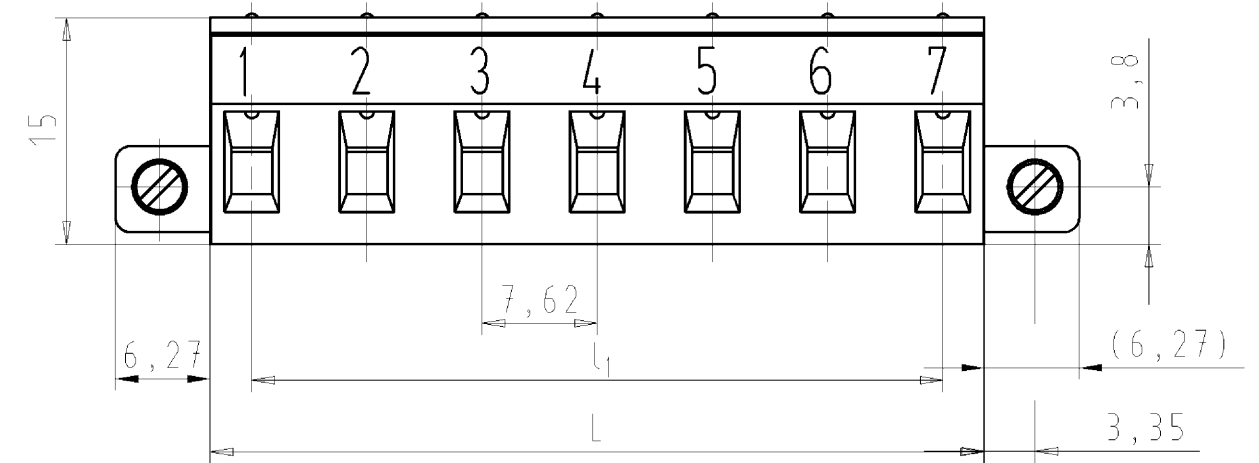
Commercial Art.No.:	Article-type description:	Description:
25.398.2353.0	PCB pin header 8413 S / 3 WF OB	PCB pin header with pin header, connection method depends on used socket part , 3 poles, pitch: 7.62 mm, type of packing: carton, color: grey
25.398.6353.0	PCB pin header 8413 S / 3 GF OB	PCB pin header with pin header, connection method depends on used socket part , 3 poles, pitch: 7.62 mm, type of packing: carton, color: grey



gezeichnete Ausführung
7-polig
 drawn version
7 poles



Ansicht "X"
 view "X"



Weitere Daten siehe Katalog
 further data see catalog

Teile-Nr. part-no.	Pol-Z pole	L ^{+0,4} -0,3	l ₁	Typ type
25.324.4253.F	2	13,0	7,5	8413 B/ 2 F
25.324.4353.F	3	20,5	15,0	8413 B/ 3 F
25.324.4453.F	4	28,0	22,5	8413 B/ 4 F
25.324.4553.F	5	35,5	30,0	8413 B/ 5 F
25.324.4653.F	6	43,0	37,5	8413 B/ 6 F
25.324.4753.F	7	50,5	45,0	8413 B/ 7 F
25.324.4853.F	8	58,0	52,5	8413 B/ 8 F
25.324.4953.F	9	65,5	60,0	8413 B/ 9 F
25.324.5053.F	10	73,0	67,5	8413 B/10 F
25.324.5153.F	11	80,5	75,0	8413 B/11 F
25.324.5253.F	12	88,0	82,5	8413 B/12 F

Farbe/colour	Bedruckung/print	F
grau/grey	schwarz/black	0
schwarz/black	weiß/white	1
grün/green	schwarz/black	7

Tolerierung Size ISO 14405/Tolerance system Size ISO 14405. (This ISO-standard describes the envelope principle. According to the envelope principle the deviations of form and parallelism are limited by the size tolerances).		ja/yes <input checked="" type="checkbox"/> Stoffverbots- und Deklarationsliste nach UU-TOM-05/03 ist einzuhalten. Conformity with Wieland document UU-TOM-05/03 (list of prohibited / declarable hazardous substances) to be declared!	
Freitoleranz nach General tolerance		CAD - Zeichnung, keine manuellen Änderungen CAD - drawing, no manual modifications allowed	
Werkstoff/Material		2012 gezeichnet drawn 13.08. geprüft checked Normgepr. Stand. check	Tag/Date Name Schmitt
Maßstab/Scale 2:1		Zeichnung Nr./Drawing No. T 25.324.4253.0 01K	
Vol. mm³ Ofl./Surf. mm²		Ersatz für/Replacement for: -	
wieland Elektrische Verbindungen		Benennung/Title pluggable PCB terminal LP_STECKKLEMME mit Steck- und Schraubanschluß Raster 7,62 with plug in and screw connection pitch 7,62	
Index Datum / Blatt Date / Sheet	Änderung/Revision	Blatt: 1 von 1 Sheet: 1 of 1	

These dimensions will be especially checked at delivery
 Only inspection dimensions
 With ±E marked dimensions are only valid for internal use

Diese Maße werden bei Abnahme besonders geprüft
 Ausschließliche Prüfmaße
 Mit ±E gekennzeichnete Maße sind nur für interne Zwecke gültig

Weitergabe sowie Vervielfältigung dieses Dokuments, Verwertung und Mitteilung seines Inhalts sind verboten, soweit nicht ausdrücklich gestattet.
 The reproduction, distribution and utilization of this document as well as the communication of its contents to others without express authorization is prohibited.

253244253001K_2 CADW2035 Schmitt: 2012-08-14T08:08:25 1.000