

Data sheet

Commercial Art.No.: 25.857.3553.0

PCB pin header 8213 SUFK / 5 TOP OB

PCB pin header with tension spring connection, 5 poles, max. cross section: 2.5 mm², pitch: 5.08 mm, type of packing: carton, color: grey



Commercial Art.No.	25.857.3553.0
EAN	4015573562820
Order Unit	50

Certificates / Approvals



Technical data

General

Modular spacing	5.08 mm
Connection type	spring clamp connection
Soldering process	None
Packaging	Carton
Number of poles	5
Marking	No
Fastening	None
Mating direction towards connector	180°

Technical data

Nominal cross section	2.5 mm ²
Rated current	12 A
Overvoltage Category I	1000 V
Overvoltage Category II	400 V
Overvoltage Category III	250 V
Rated impulse voltage	4 kV
Wire strip length	11 mm

Connection Data

Minimum cross section solid	0.14 mm ²
Maximum cross section solid	2.5 mm ²
Minimum cross section fine stranded	0.14 mm ²
Maximum cross section fine stranded	2.5 mm ²
Wire strip length	11 mm

Technical Data UL/CSA

Cross section UL	22-12 AWG
Voltage UL	300 V
Current field wiring	12 A
Current factory wiring	12 A
Cross section CSA	22-12 AWG
Voltage CSA	300 V
Current CSA	12 A

Other

Type of insulation material	Thermoplastic
Color	Grey
Height	15 mm
Length	25.4 mm
Depth	25.3 mm
Material attachment screw	None
Material contact base	Steel
Material contact surface	Sn

Classification

ECLASS 11	
ECLASS 8.1	27440402
ETIM 7.0	EC002637
ETIM 6.0	EC002637
ETIM 5.0	EC002637
ETIM 4.0	EC002637

Product compliance

ROHS conformity status	Compliant
REACH-SVHC conformity status	Compliant

Fits with

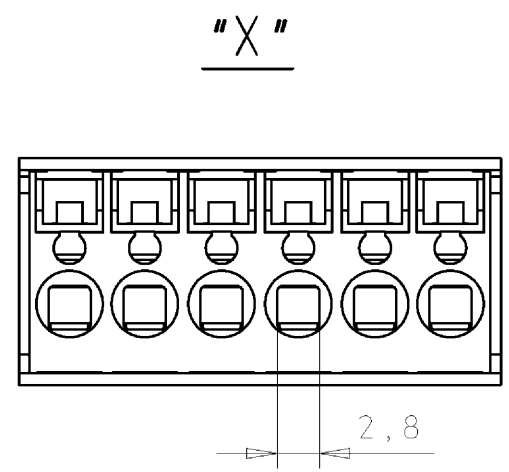
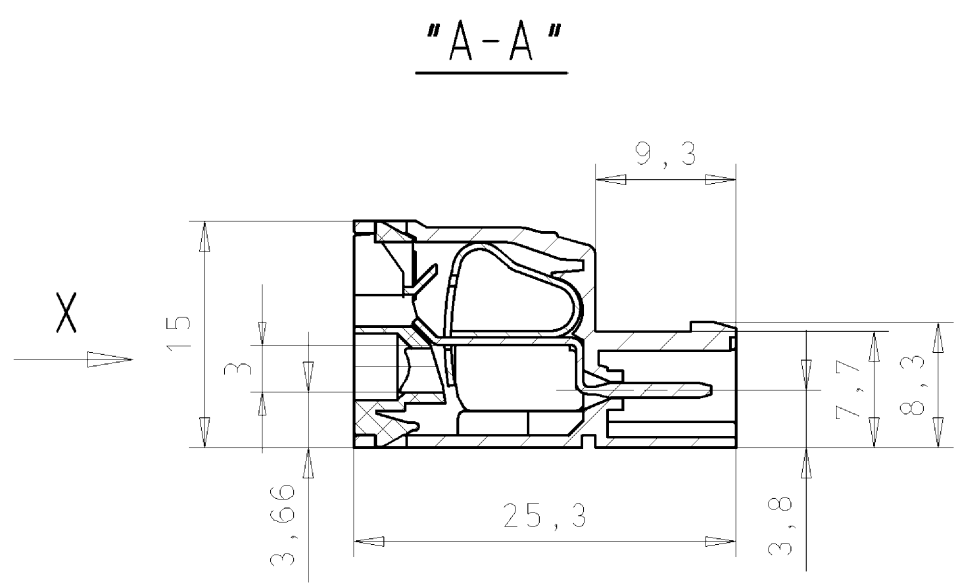
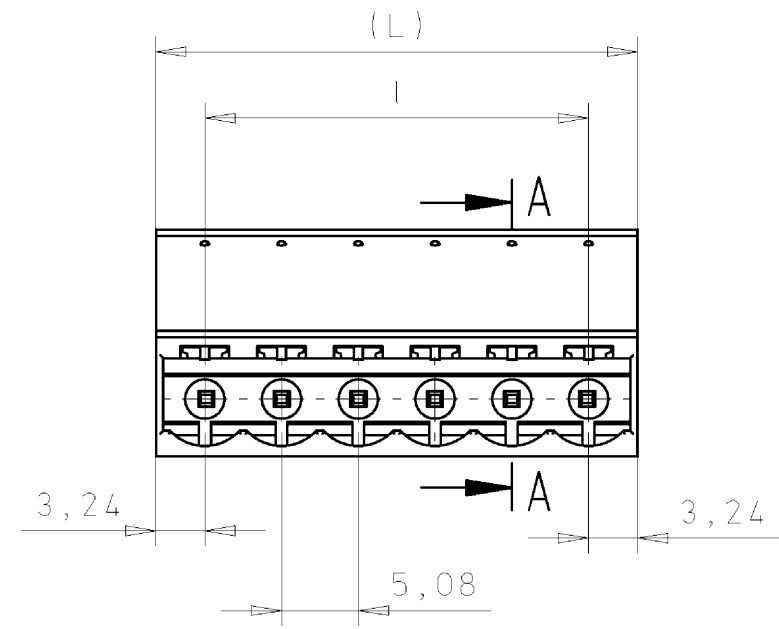
Commercial Art.No.:	Article-type description:	Description:
25.840.3553.0	PCB connector 8213 BFK / 5 TOP OB	PCB female connector with tension spring connection, 5 poles, max. cross section: 2.5 mm ² , pitch: 5.08 mm, type of packing: carton, color: grey
25.840.0553.0	PCB connector 8213 BFK / 5 TOP	PCB female connector with tension spring connection, 5 poles, printed version, max. cross section: 2.5 mm ² , pitch: 5.08 mm, type of packing: carton, color: grey

These dimensions will be especially checked at delivery
 Only inspection dimensions
 With /E marked dimensions are only valid for internal use

Diese Maße werden bei Abnahme besonders geprüft
 Ausschließlich Prüfmaße
 Mit /E gekennzeichnete Maße sind nur für interne Zwecke gültig

○

F



gezeichnete Ausführung: 6-polig
 drawn version: 6-poles

Teile - Nr. part - no.	Polzahl poles	(L)	l	Typ type
25.857.3253.0	2	11,56	5,08	8213 SUFK/ 2 OB
25.857.3353.0	3	16,64	10,16	8213 SUFK/ 3 OB
25.857.3453.0	4	21,72	15,24	8213 SUFK/ 4 OB
25.857.3553.0	5	26,80	20,32	8213 SUFK/ 5 OB
25.857.3653.0	6	31,88	25,40	8213 SUFK/ 6 OB
25.857.3753.0	7	36,96	30,48	8213 SUFK/ 7 OB
25.857.3853.0	8	42,04	35,56	8213 SUFK/ 8 OB
25.857.3953.0	9	47,12	40,64	8213 SUFK/ 9 OB
25.857.4053.0	10	52,20	45,72	8213 SUFK/10 OB
25.857.4153.0	11	57,28	50,80	8213 SUFK/11 OB
25.857.4253.0	12	62,36	55,88	8213 SUFK/12 OB
25.857.4353.0	13	67,44	60,96	8213 SUFK/13 OB
25.857.4453.0	14	72,52	66,04	8213 SUFK/14 OB
25.857.4553.0	15	77,60	71,12	8213 SUFK/15 OB
25.857.4653.0	16	82,68	76,20	8213 SUFK/16 OB
25.857.4753.0	17	87,76	81,28	8213 SUFK/17 OB
25.857.4853.0	18	92,84	86,36	8213 SUFK/18 OB
25.857.4953.0	19	97,92	91,44	8213 SUFK/19 OB
25.857.5053.0	20	103,00	96,52	8213 SUFK/20 OB
25.857.5153.0	21	108,08	101,60	8213 SUFK/21 OB
25.857.5253.0	22	113,16	106,68	8213 SUFK/22 OB
25.857.5353.0	23	118,24	111,76	8213 SUFK/23 OB
25.857.5453.0	24	123,32	116,84	8213 SUFK/24 OB

Weitere Daten siehe Katalog
 further data see catalog

Tolerierung Size ISO 14405/Tolerance system Size ISO 14405. (This ISO-standard describes the envelope principle. According to the envelope principle the deviations of form and parallelism are limited by the size tolerances).		ja/yes <input checked="" type="checkbox"/> Stoffverbots- und Deklarationsliste nach UU-TOM-05/03 ist einzuhalten. Conformity with Wieland document UU-TOM-05/03 (list of prohibited / declarable hazardous substances) to be declared!	
Freitoleranz nach DIN ISO 2768 - m General tolerance		CAD - Zeichnung, keine manuellen Änderungen CAD - drawing, no manual modifications allowed	1. Verwendung: - First Use:
Blatt: 1 von 1 Sheet: 1 of 1		Zeichnung Nr./Drawing No. Index	
/ Werkstoff/Material Farbe/colour: grau/grey		2008 gezeichnet drawn	Tag/Date 25.02.
/ Maßstab/Scale 2:1		Bedruckung: schwarz printing: black	Name Treschan
/ Vol. mm³		Of./Surf. mm²	Ersatz für/Replacement for: -
/ wieland Elektrische Verbindungen		Type	Benennung/Titel LP_header LP_STIFTLISTE
Index Datum / Blatt Date / Sheet		mit Federkraftanschluß, Rastermaß: 5,08mm with spring clamp connection, pitch: 5,08mm	
Änderung/Revision			

Weitergabe sowie Vervielfältigung dieses Dokuments, Verwertung und Mitteilung seines Inhalts sind verboten, soweit nicht ausdrücklich gestattet.
 The reproduction, distribution and utilization of this document as well as the communication of its contents to others without express authorization is prohibited.

258573253001K_2 CADW2036 treschan 2012-12-06 12:51:30 1.000