

DETAILS

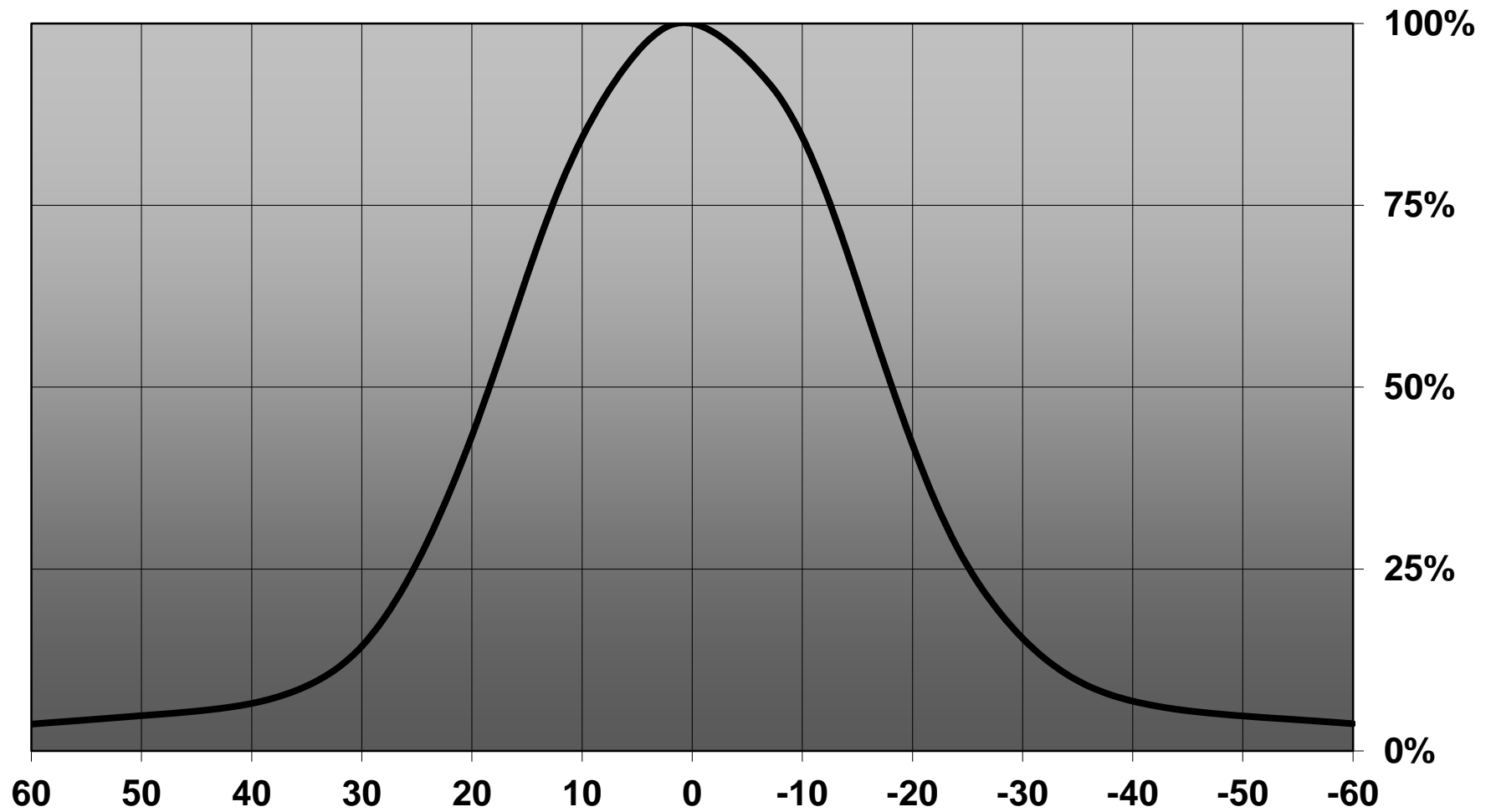
Product Number	FA11902_TINA3-W
Family	Tina3
Type	Assembly
Color	white
Diameter	16,1 mm
Height	7,3 mm
Style	round
Optic Material	PMMA
Holder Material	
Fastening	tape, pin
Status	production ready
ROHS Compliant	Yes
Date Updated	20/12/2016



OPTICAL PROPERTIES

LED	Viewing	Light	Effi-		Connector
	Angle	Beam	ciency	cd/lm	
XM-L	43 deg	Wide	94 %	1.000	-
XM-L HVW	sim: 50	Wide	89 %	-	-
XT-E	30 deg	Wide	92 %	2.300	-
XM-L2	38 deg	Wide	91 %	-	-
XP-G2	32 deg	Wide	89 %	2.000	-
XP-L	34 deg	Wide	89 %	1.570	-
XP-L HI	31 deg	Wide	91 %	2.000	-
NS9x383	48 deg	Wide	90 %	1.100	-
Oslo SSL 80	sim: 20	Wide	-	-	-

Relative intensity of FA11902_TINA3-W_(XM-L2)



D

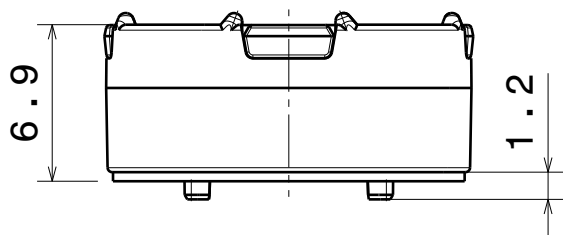
C

B

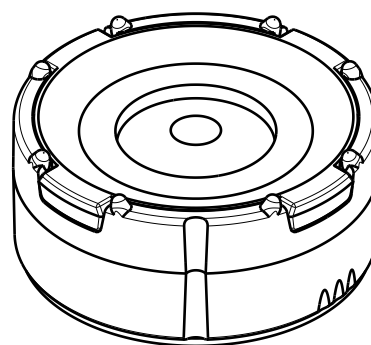
A

4

4

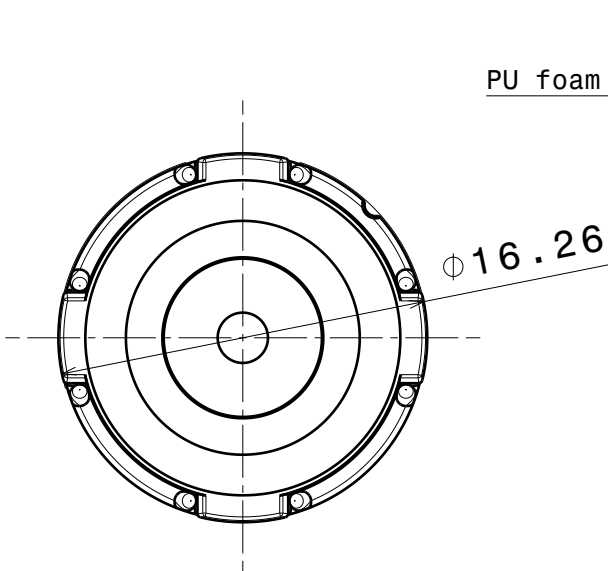


Front view

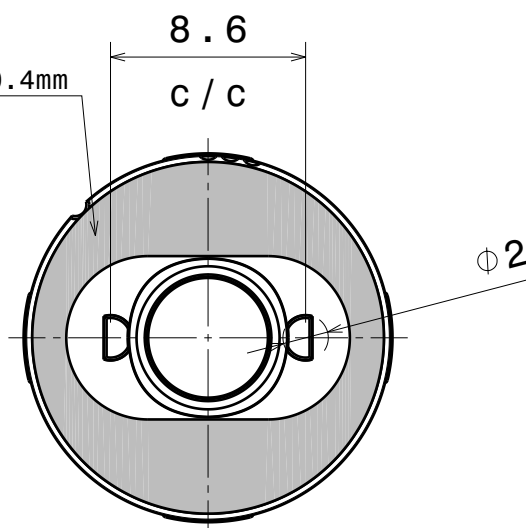
Isometric view
Scale: 3:1

3

3



Top view



Bottom view

2

2

INDEX	PART NO	DESCRIPTION	MATERIAL	COLOUR
1	F11823	TINA3-HLD-PIN-TAPE-XP	PC	white
2	F11865	TINA3-W	PMMA	

Tolerances if not otherwise shown
According to DIN ISO 2768-1
Linear measures:
Up to 30mm class M, otherwise class C.
According to DIN ISO 2768-2
Form and position: class L

LEDiL

Ledil Oy
Salorankatu 10
FIN 24240 SALO
Finland

THIRD ANGLE PROJECTION:



DRAWING TITLE

FA11902_TINA3-W

This drawing is the property
of LEDiL Oy. It may not be
reproduced, copied or
communicated without a written
agreement with LEDiL Oy.

SIZE PART NUMBER

A4

FA11902

SCALE	3:1	WEIGHT	1,4 g	SHEET	1/1
-------	-----	--------	-------	-------	-----

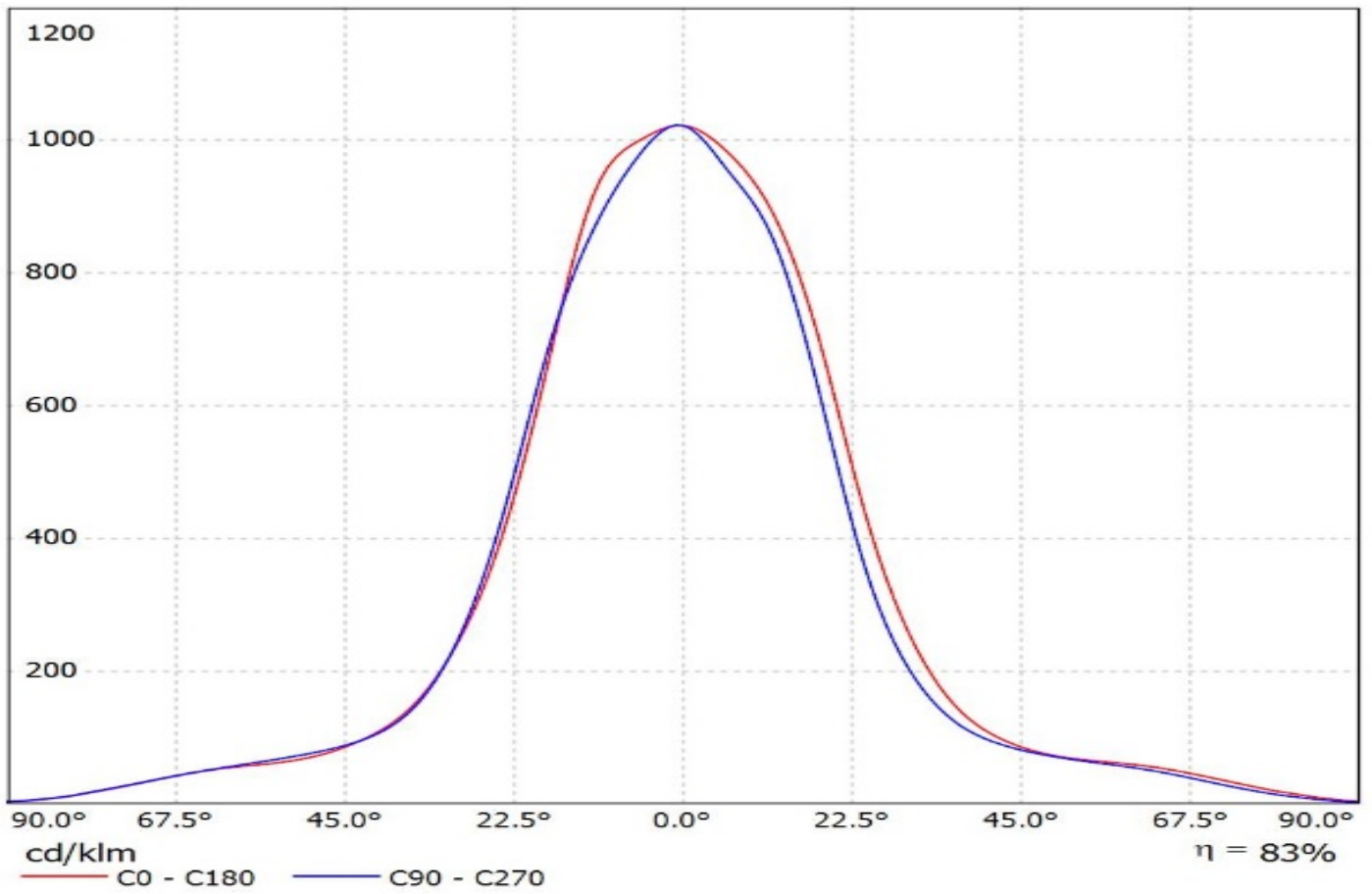
D

A

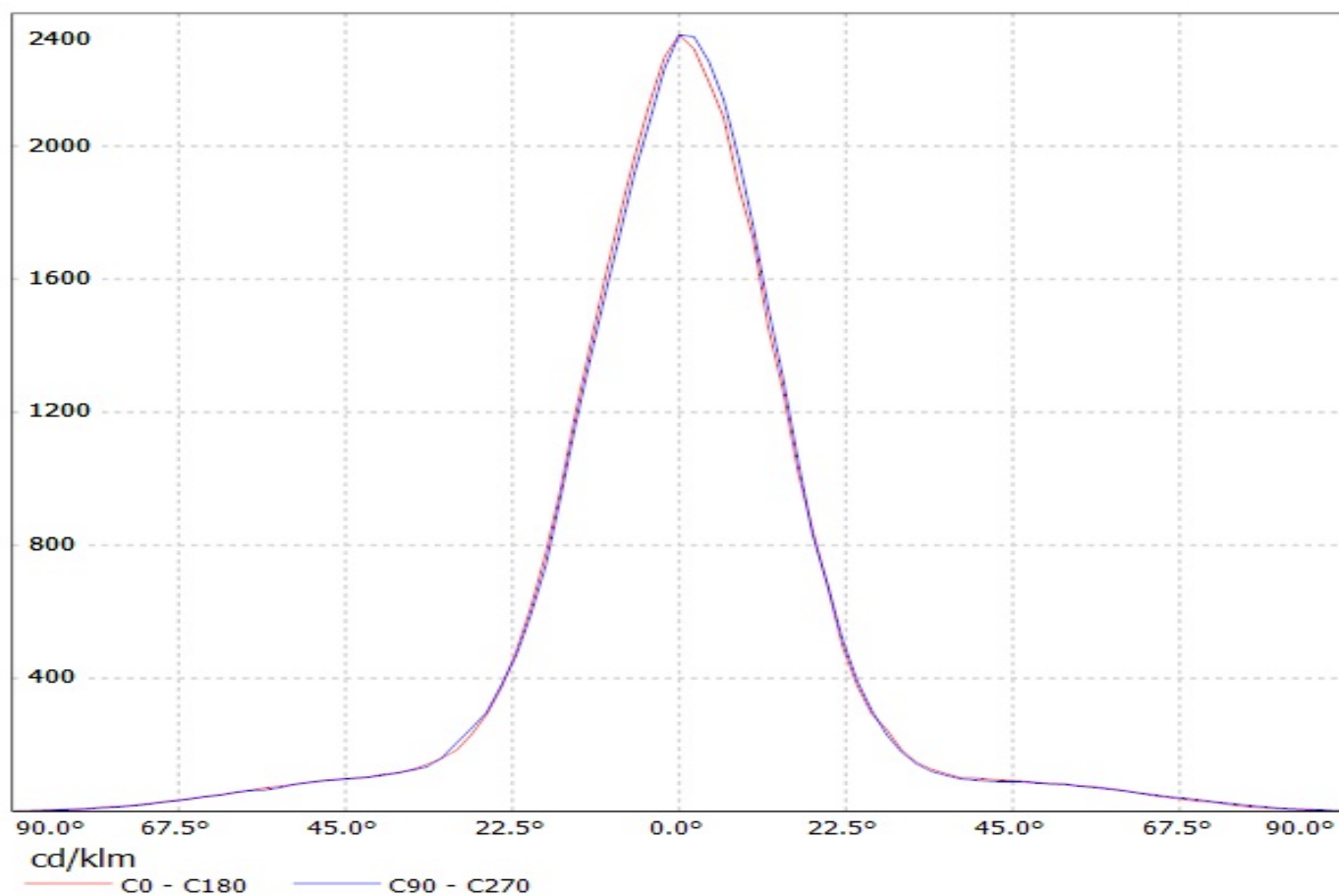
1

1

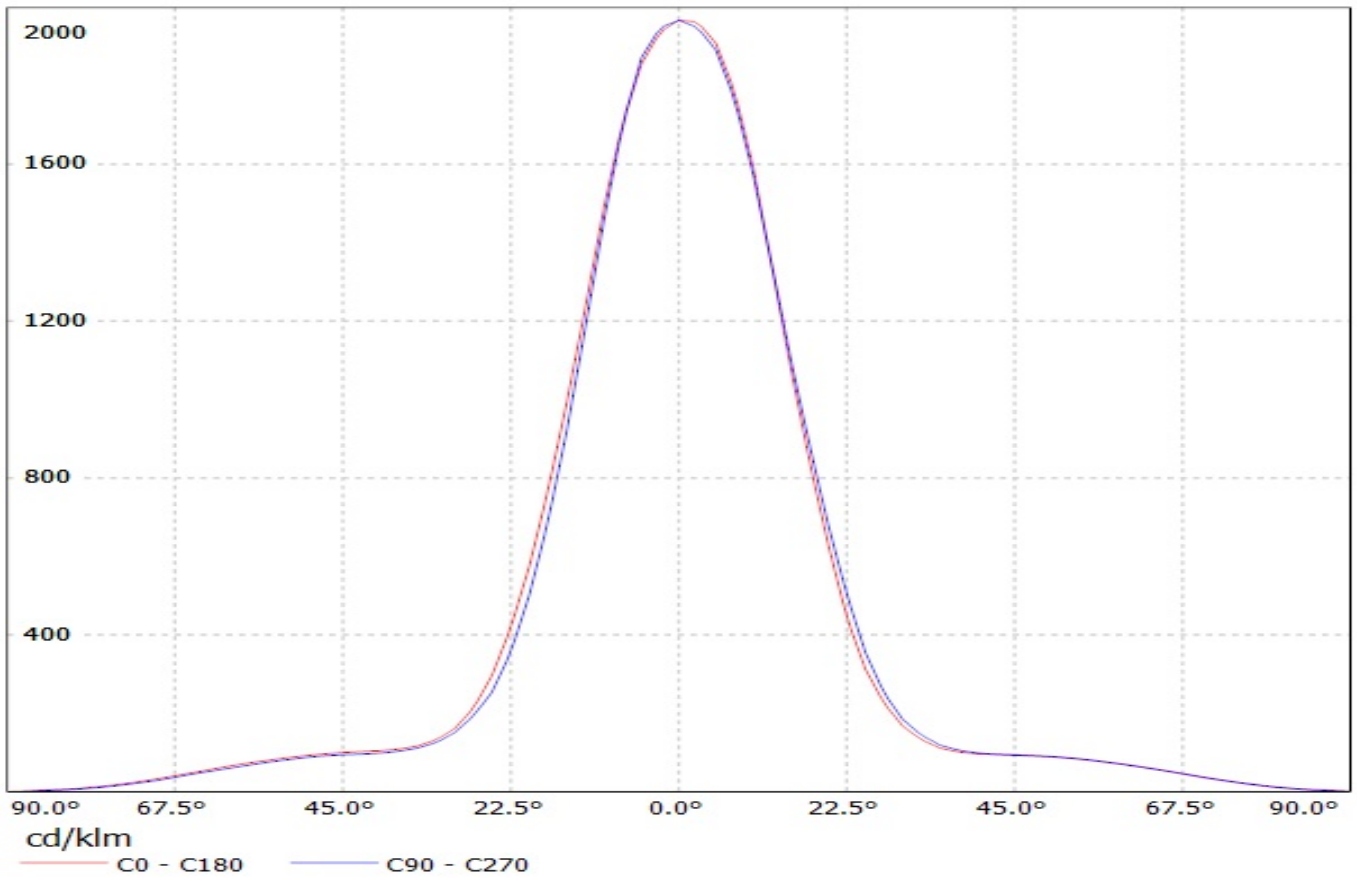
Luminaire: Ledil Oy
Lamps: 1 x FA11902_TINA3-W_(XM-L)



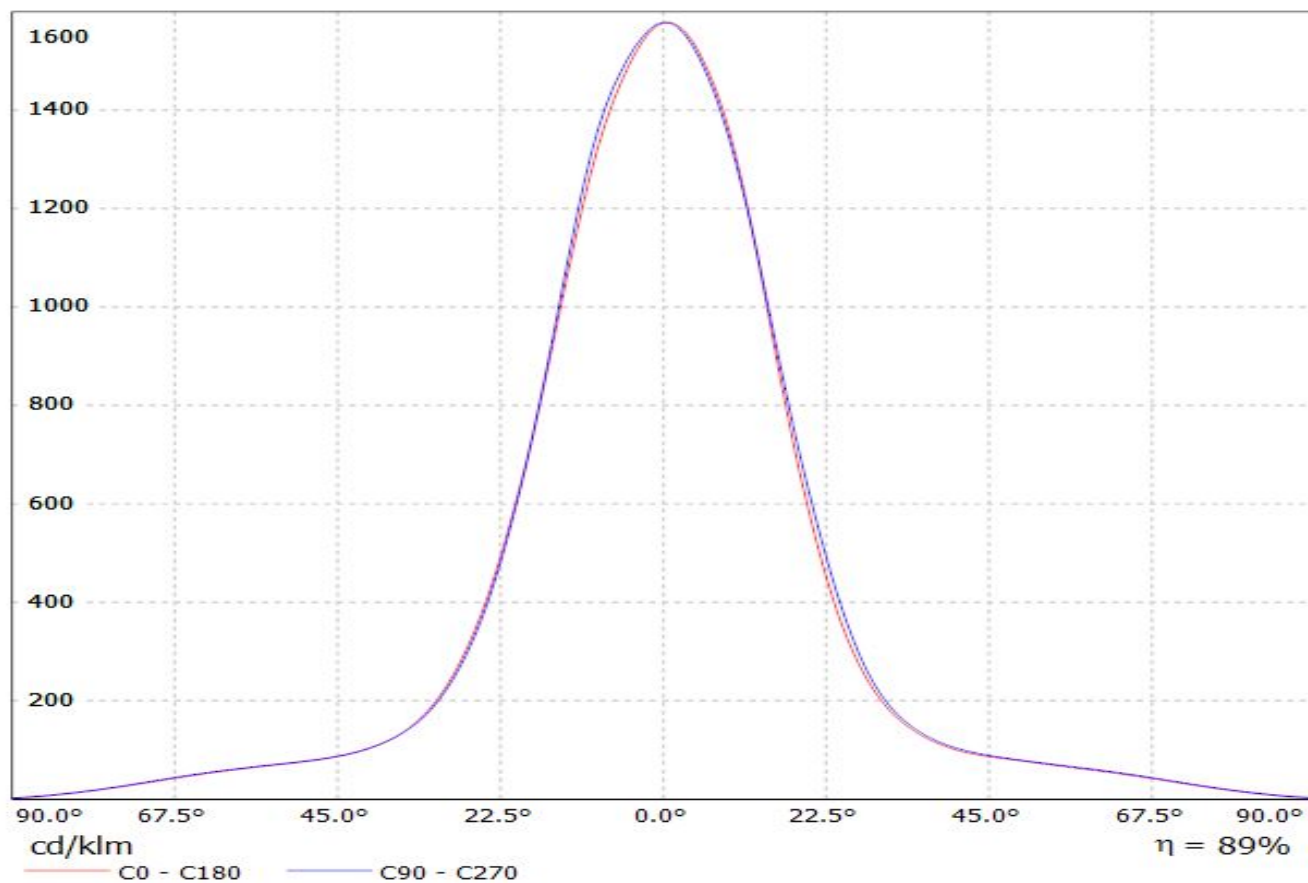
Luminaire: Ledil Oy FA11902_TINA3-W (cree XT-E 98lm @ 250mA) Efficiency=92%
Lamps: 1 x Cree XT-E 98lm @ 250mA



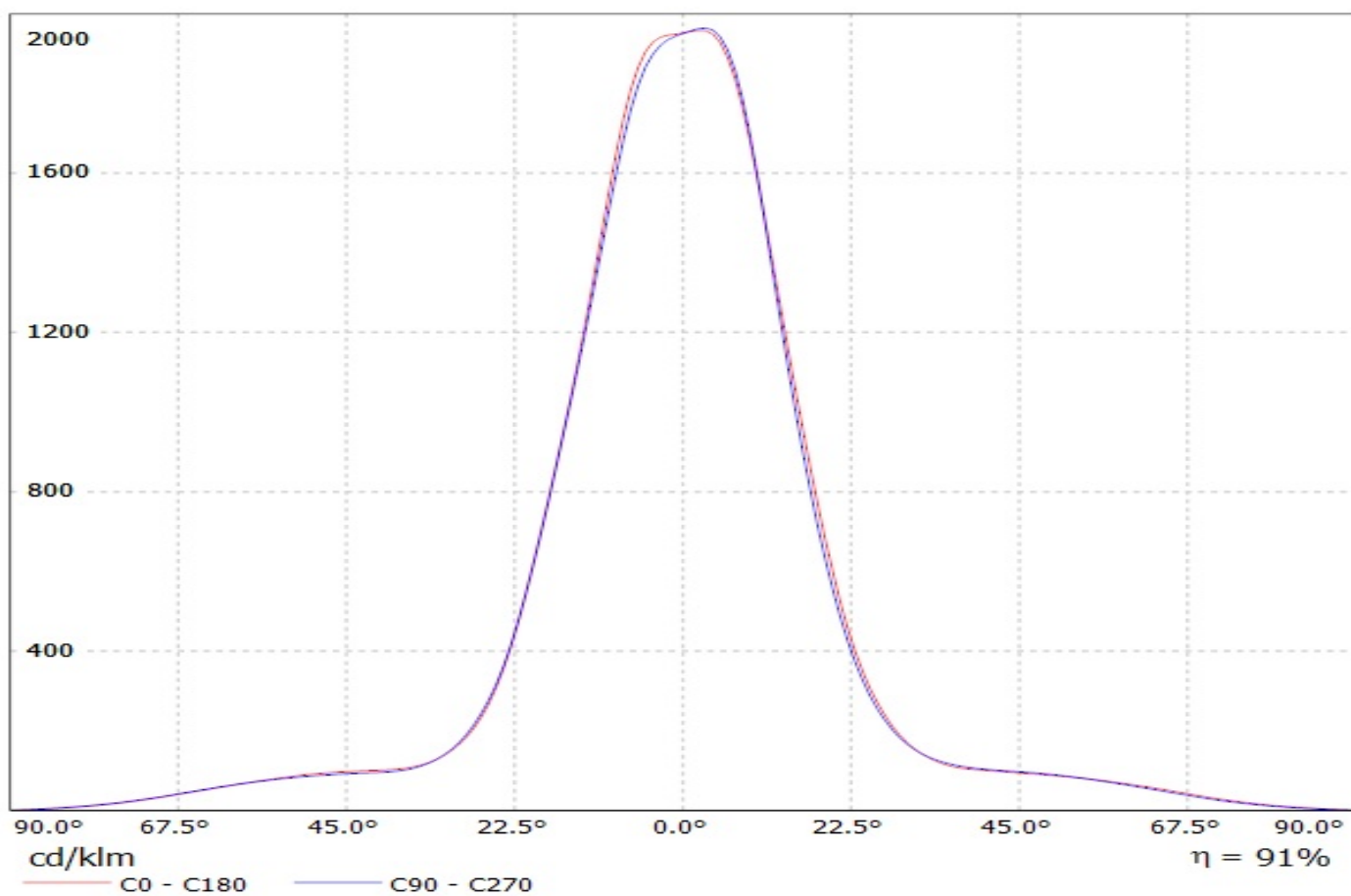
Luminaire: LEDil Oy FA11902_TINA3-W_(XP-G2) Efficiency=89%
Lamps: 1 x Cree XP-E2 (XPGBWT-L1-0000-00FE4) 101lm @ 250mA CCT=6600K P=0.7W I=250mA



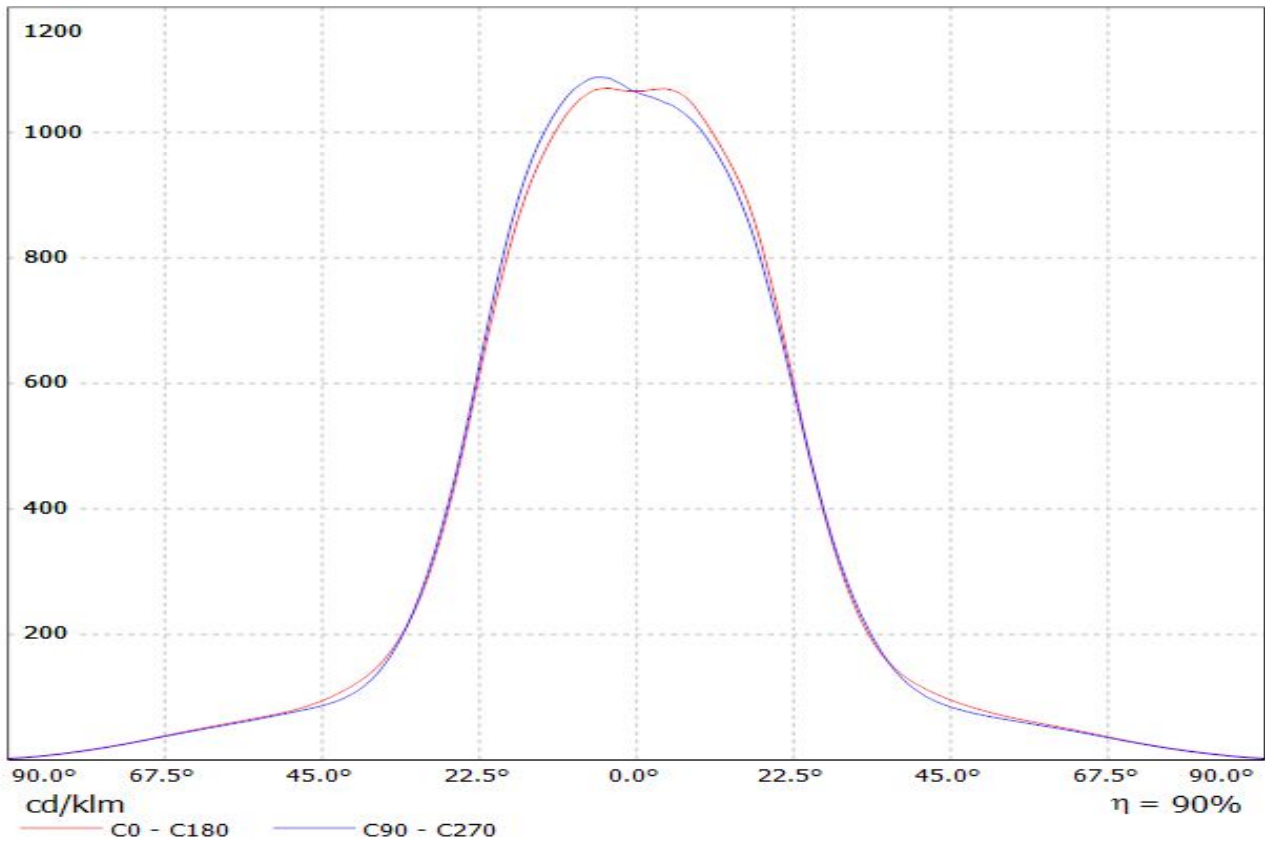
Luminaire: LEDiL Oy FA11902_TINA3-W_(XP-L) Eff.89.1%
Lamps: 1 x Cree_XP-L_127.813lm@250mA_P=0.73723W_I=249.9mA



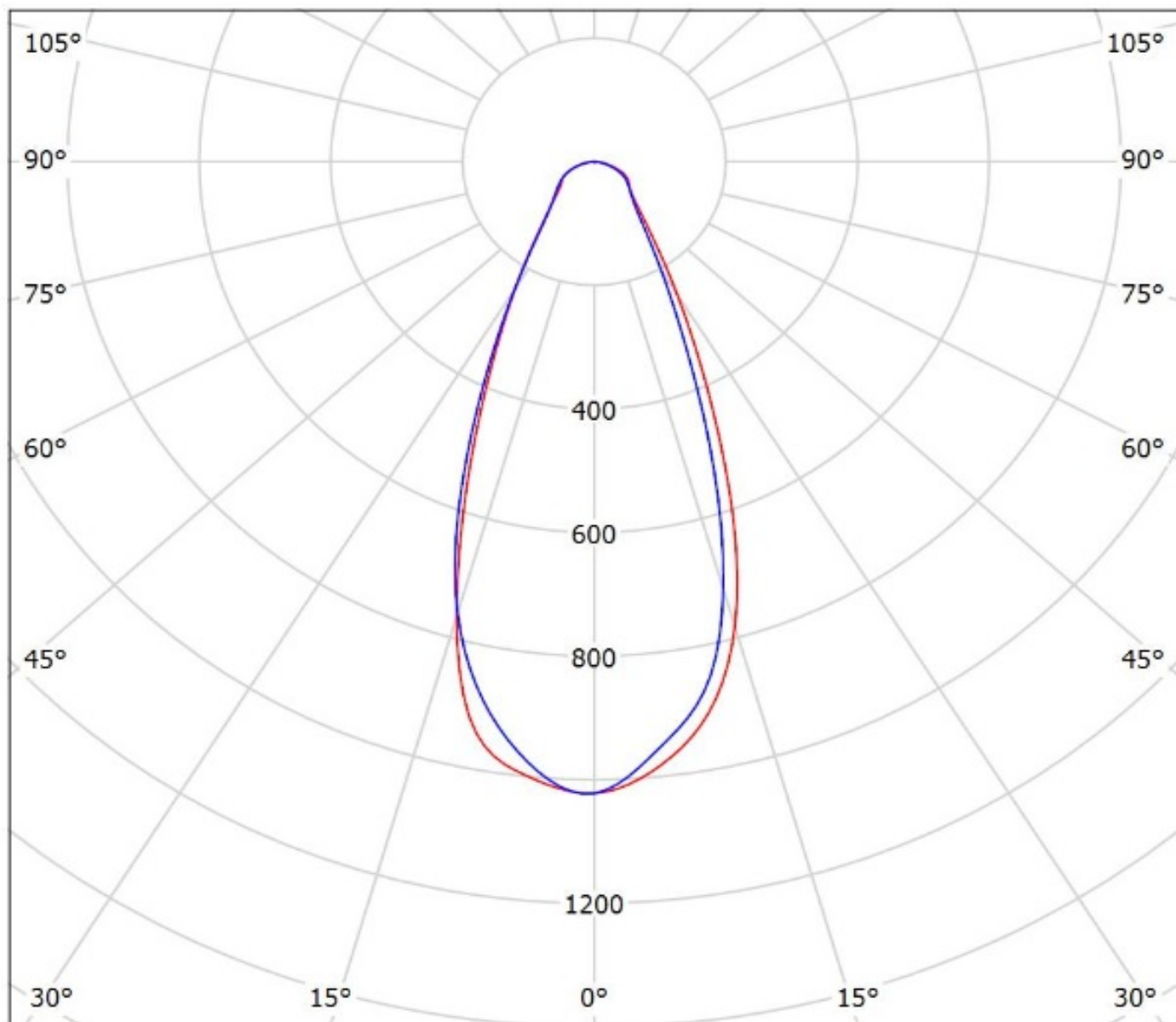
Luminaire: LEDiL Oy FA11902_TINA3-W_(XP-L_HI)
Lamps: 1 x Cree_XP-L_HI_113.703lm@250mA_P=0.743328W_I=0.2499A



Luminaire: LEDiL Oy FA11902_TINA3-W_(NS9x383) Eff. 89,6%
Lamps: 1 x Nichia NS9x383 (105lm@250mA)



Luminaire: Ledil Oy
Lamps: 1 x FA11902_TINA3-W_(XM-L)

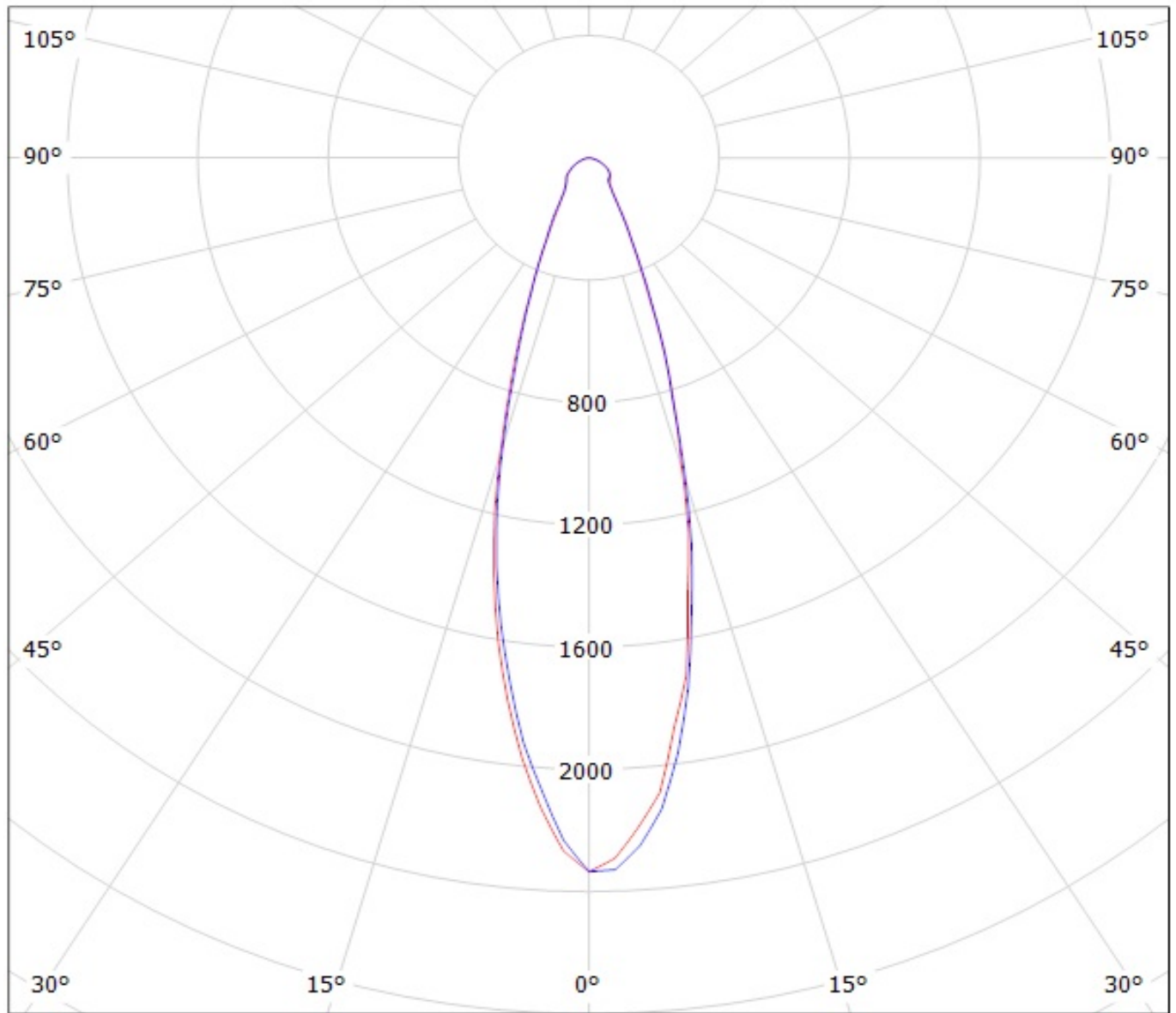


cd/klm

— C0 - C180 — C90 - C270

$\eta = 83\%$

Luminaire: Ledil Oy FA11902_TINA3-W (cree XT-E 98lm @ 250mA) Efficiency=92%
Lamps: 1 x Cree XT-E 98lm @ 250mA



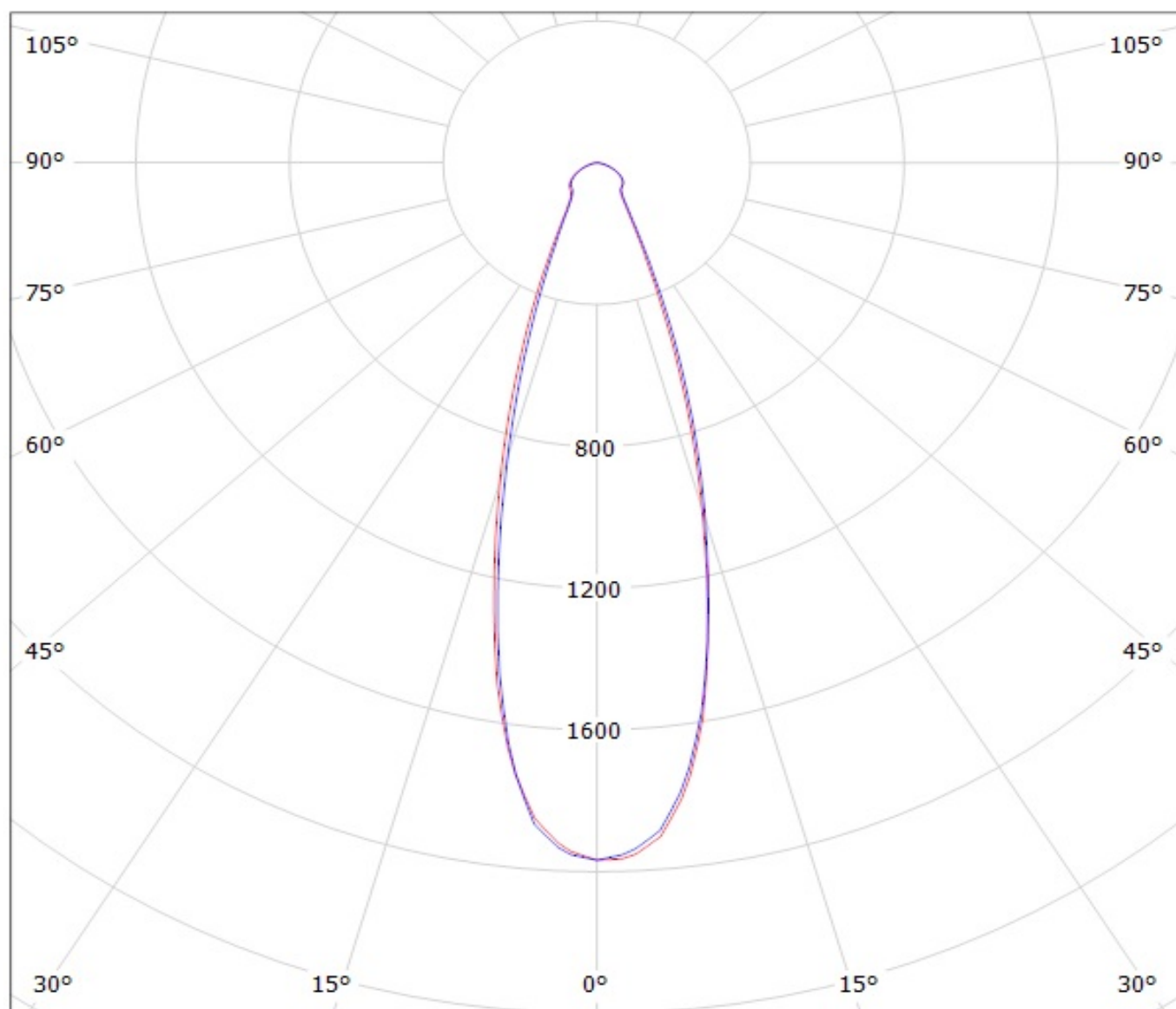
cd/klm

— C0 - C180

— C90 - C270

Luminaire: LEDil Oy FA11902_TINA3-W_(XP-G2) Efficiency=89%

Lamps: 1 x Cree XP-E2 (XPGBWT-L1-0000-00FE4) 101lm @ 250mA CCT=6600K P=0.7W I=250mA

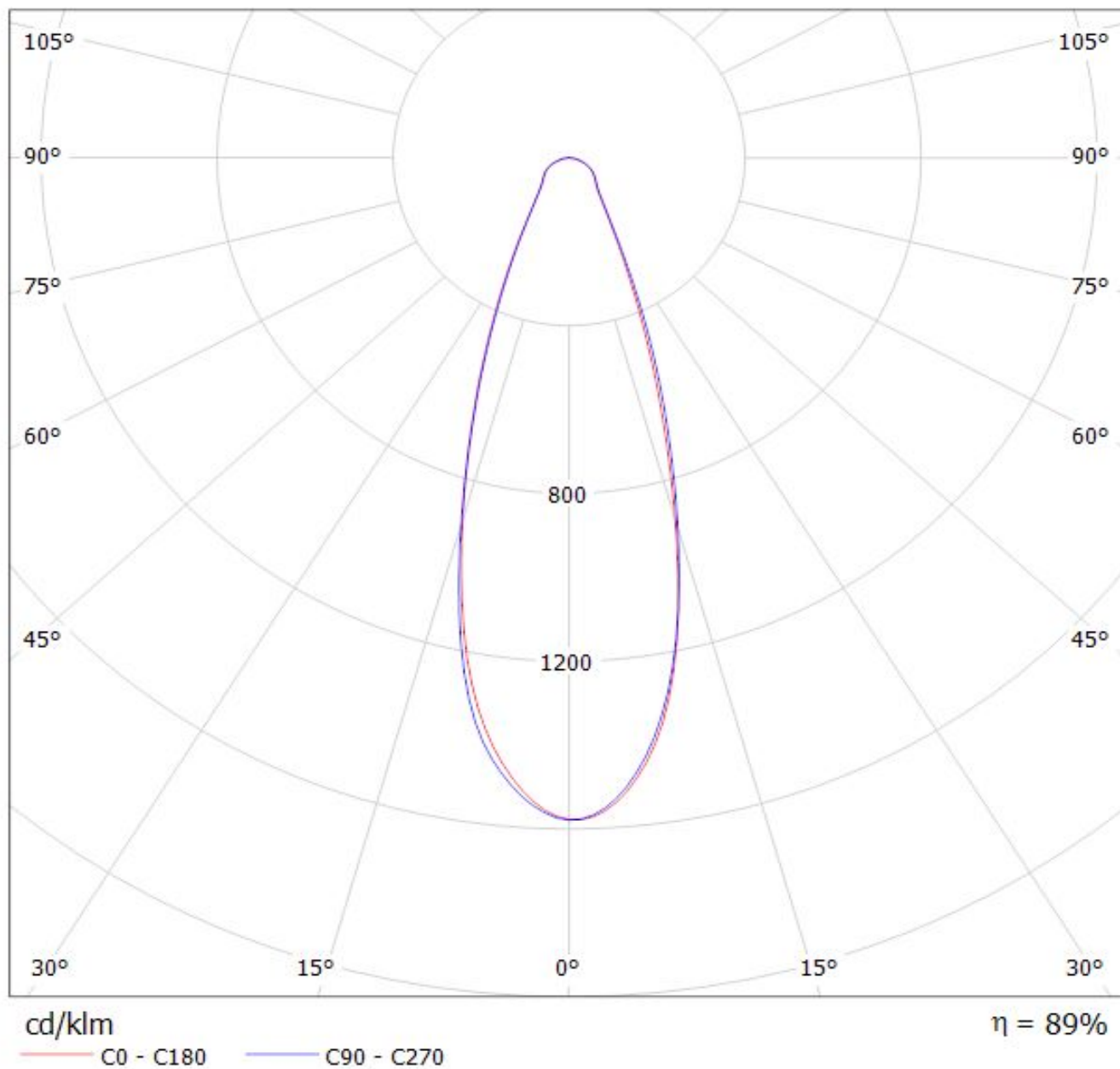


cd/klm

— C0 - C180

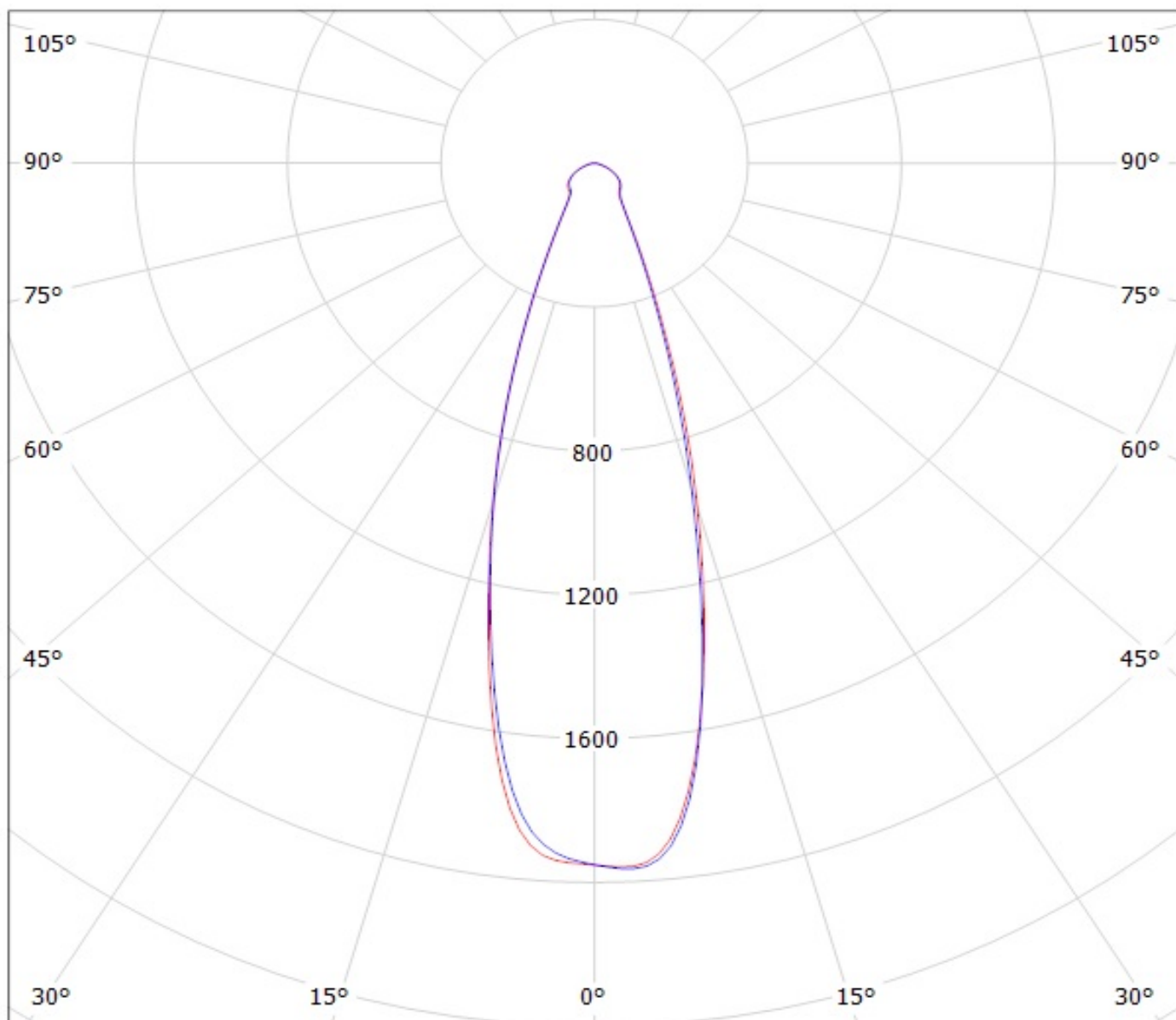
— C90 - C270

Luminaire: LEDiL Oy FA11902_TINA3-W_(XP-L) Eff.89.1%
Lamps: 1 x Cree_XP-L_127.813lm@250mA_P=0.73723W_I=249.9mA



Luminaire: LEDiL Oy FA11902_TINA3-W_(XP-L_HI)

Lamps: 1 x Cree_XP-L_HI_113.703lm@250mA_P=0.743328W_I=0.2499A



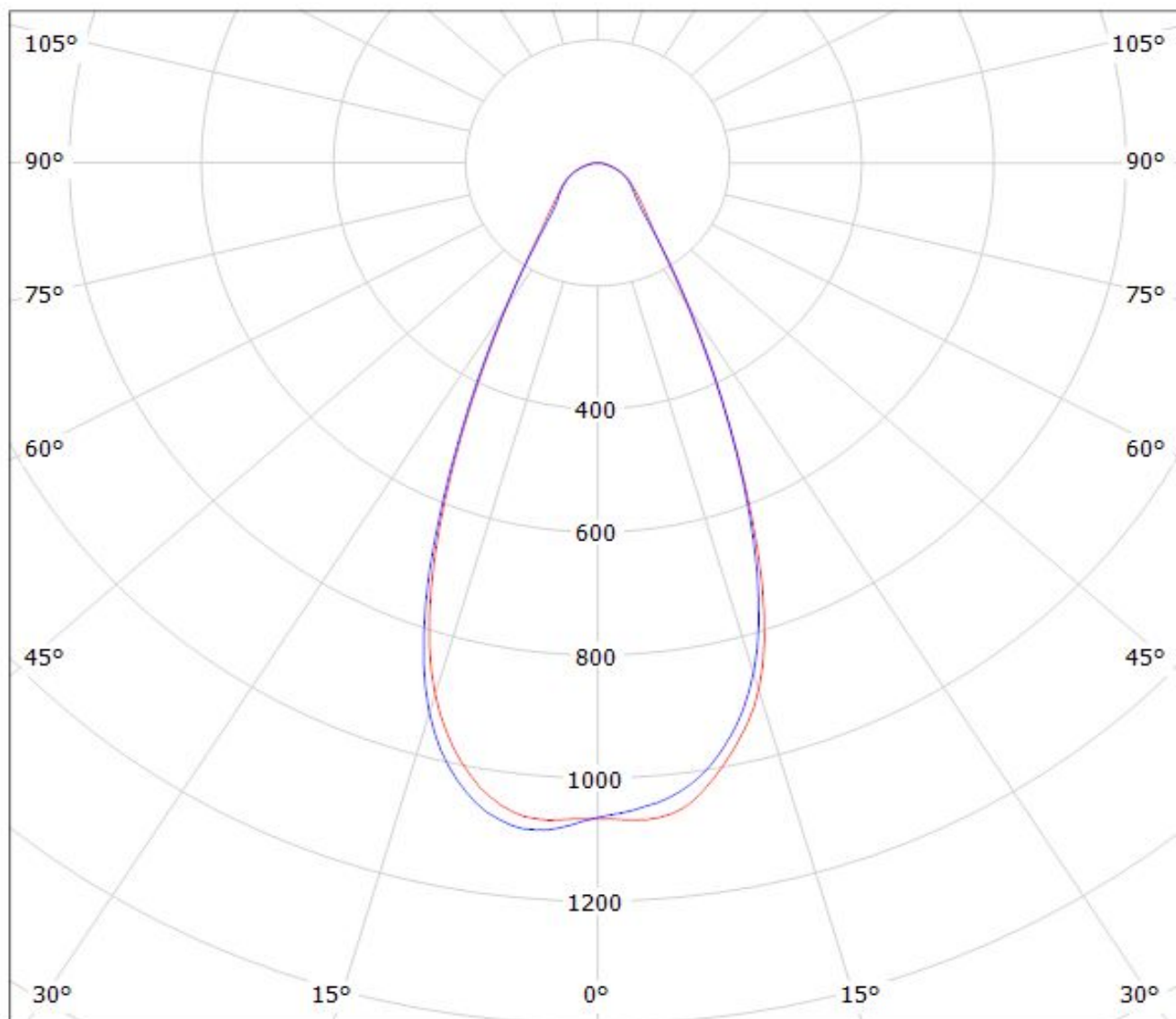
cd/klm

— C0 - C180

— C90 - C270

$\eta = 91\%$

Luminaire: LEDiL Oy FA11902_TINA3-W_(NS9x383) Eff. 89,6%
Lamps: 1 x Nichia NS9x383 (105lm@250mA)



cd/klm

— C0 - C180 — C90 - C270

$\eta = 90\%$

NOTE: The typical divergence will be changed by different color, chip size and chip position tolerance. The typical total divergence is the full angle measured where the luminous intensity is half of the peak value.