

## Data sheet

Commercial Art.No.: 25.332.4253.0

PCB pin header 8113 S / 12 W OB

PCB pin header, connection method depends on used socket part , 12 poles, pitch: 5 mm, type of packing: carton, color: grey



Commercial Art.No.	25.332.4253.0
EAN	4015573187153
Order Unit	50

Certificates / Approvals



## Technical data

### General

Modular spacing	5 mm
Soldering process	Wave soldering
Packaging	Carton
Number of poles	12
Number of levels	1
Marking	No
Fastening	None
Mating direction towards (circuit) board	180°

### Technical data

Rated current	12 A
Overvoltage Category I	1000 V
Overvoltage Category II	400 V
Overvoltage Category III	250 V
Rated impulse voltage	4 kV

### Technical Data UL/CSA

Voltage UL	300 V
Current field wiring	15 A
Current factory wiring	15 A
Voltage CSA	300 V
Current CSA	15 A

### Other

Type of insulation material	Thermoplastic
Color	Grey
Height	8.4 mm
Length	61.4 mm

Depth	12 mm
Material contact base	CuZn
Material contact surface	Sn

#### Classification

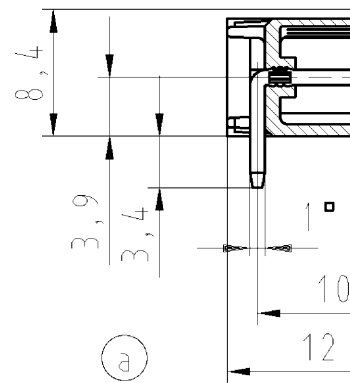
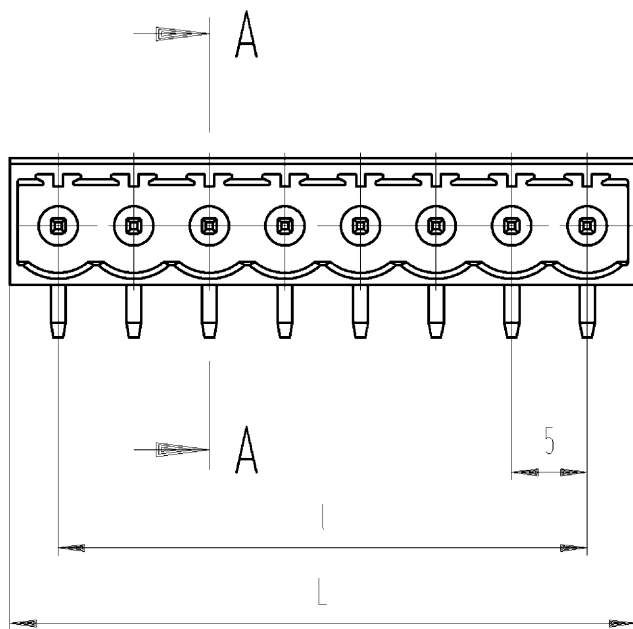
ECLASS 11	
ECLASS 8.1	27440402
ETIM 7.0	EC002637
ETIM 6.0	EC002637
ETIM 5.0	EC002637
ETIM 4.0	EC002637

#### Product compliance

ROHS conformity status	Compliant
REACH-SVHC conformity status	Compliant

#### Fits with

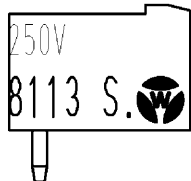
Commercial Art.No.:	Article-type description:	Description:
25.220.4253.0	PCB connector 8113 B / 12 TOP OB	PCB female connector with front/top screw connection, 12 poles, max. cross section: 2.5 mm <sup>2</sup> , pitch: 5 mm, type of packing: carton, color: grey
25.220.1253.0	PCB connector 8113 B / 12 TOP	PCB female connector with front/top screw connection, 12 poles, printed version, max. cross section: 2.5 mm <sup>2</sup> , pitch: 5 mm, type of packing: carton, color: grey
01.060.4253.0	PCB connector 8113 BK / 12 OB	PCB female connector with Crimp connection, 12 poles, max. cross section: 2.5 mm <sup>2</sup> , pitch: 5 mm, type of packing: carton, color: grey
01.060.1253.0	PCB connector 8113 BK / 12	PCB female connector with Crimp connection, 12 poles, printed version, max. cross section: 2.5 mm <sup>2</sup> , pitch: 5 mm, type of packing: carton, color: grey
25.320.4253.0	PCB connector 8113 B / 12 OB	PCB female connector with screw connection with rising cage clamp system, 12 poles, max. cross section: 2.5 mm <sup>2</sup> , pitch: 5 mm, type of packing: carton, color: grey
25.325.4253.0	PCB connector 8113 B / 12 VR OB	PCB female connector with screw connection with rising cage clamp system, 12 poles, max. cross section: 2.5 mm <sup>2</sup> , pitch: 5 mm, type of packing: carton, color: grey
25.325.1253.0	PCB connector 8113 B / 12 VR	PCB female connector with screw connection with rising cage clamp system, 12 poles, printed version, max. cross section: 2.5 mm <sup>2</sup> , pitch: 5 mm, type of packing: carton, color: grey
25.326.4253.0	PCB connector 8113 B / 12 VL OB	PCB female connector with screw connection with rising cage clamp system, 12 poles, max. cross section: 2.5 mm <sup>2</sup> , pitch: 5 mm, type of packing: carton, color: grey
25.326.1253.0	PCB connector 8113 B / 12 VL	PCB female connector with screw connection with rising cage clamp system, 12 poles, printed version, max. cross section: 2.5 mm <sup>2</sup> , pitch: 5 mm, type of packing: carton, color: grey
25.820.4253.0	PCB connector 8113 BFK /12 TOP OB	PCB female connector with tension spring connection, 12 poles, max. cross section: 2.5 mm <sup>2</sup> , pitch: 5 mm, type of packing: carton, color: grey
25.820.1253.0	PCB connector 8113 BFK /12 TOP	PCB female connector with tension spring connection, 12 poles, printed version, max. cross section: 2.5 mm <sup>2</sup> , pitch: 5 mm, type of packing: carton, color: grey



Wiedergabe sowie Vervielfältigung dieses Dokuments, Verändern, Ergänzen und Mitteilung seiner Inhalte sind verboten, soweit nicht ausdrücklich anders frei.  
The reproduction, distribution and utilization of this document as well as the communication of its contents to others without express authorization is prohibited.

These dimensions will be especially checked at delivery  
Only inspection dimensions  
With /E marked dimensions are only valid for internal use

Diese Maße werden bei Abnahme besonders geprüft  
Ausschließlich Prüfmaße  
Mit /E gekennzeichnete Maße sind nur für interne Zwecke gültig



gezeichnete Ausführung 8-polig  
drawn version 8 poles

Weitere Daten siehe Katalog  
further data see catalog

Farbe colour	.F
grau grey	.0
schwarz black	.1
grün green	.7

Art.-Nr. Part no.	Pol.-Z. pole	L	l	Typ type	Art.-Nr. part no.	Pol.-Z. pole	L	l	Typ type
25.332.3253.0	2	11,4	5	8113 S/ 2W OB	25.332.4353.0	13	66,4	60	8113 S/13W OB
25.332.3353.0	3	16,4	10	8113 S/ 3W OB	25.332.4453.0	14	71,4	65	8113 S/14W OB
25.332.3453.0	4	21,4	15	8113 S/ 4W OB	25.332.4553.0	15	76,4	70	8113 S/15W OB
25.332.3553.0	5	26,4	20	8113 S/ 5W OB	25.332.4653.0	16	81,4	75	8113 S/16W OB
25.332.3653.0	6	31,4	25	8113 S/ 6W OB	25.332.4753.0	17	86,4	80	8113 S/17W OB
25.332.3753.0	7	36,4	30	8113 S/ 7W OB	25.332.4853.0	18	91,4	85	8113 S/18W OB
25.332.3853.0	8	41,4	35	8113 S/ 8W OB	25.332.4953.0	19	96,4	90	8113 S/19W OB
25.332.3953.0	9	46,4	40	8113 S/ 9W OB	25.332.5053.0	20	101,4	95	8113 S/20W OB
25.332.4053.0	10	51,4	45	8113 S/10W OB	25.332.5153.0	21	106,4	100	8113 S/21W OB
25.332.4153.0	11	56,4	50	8113 S/11W OB	25.332.5253.0	22	111,4	105	8113 S/22W OB
25.332.4253.0	12	61,4	55	8113 S/12W OB	25.332.5353.0	23	116,4	110	8113 S/23W OB
					25.332.5453.0	24	121,4	115	8113 S/24W OB

Zulässige Abweichungen nach DIN 7167/Permissible deviations acc. to DIN 7167.  
(This DIN-standard describes the envelope principle. According to the envelope principle the deviations of form and parallelism are limited by the size tolerances).

ja/yes  Stoffverbots- und Deklarationsliste nach UU-TQM-05/03 ist einzuhalten.  
Conformity with Wieland document UU-TQM-05/03 (list of prohibited / declarable hazardous substances) to be declared!

Freitoleranz nach General tolerance CAD - Zeichnung, keine manuellen Änderungen CAD - drawing, no manual modifications allowed I.Verwendung: - First Use: Blatt: 1 von 1 Sheet: 1 of 1

Werkstoff/Material	2005	Tag/Date	Name	Zeichnung Nr./Drawing No.	Index
Maßstab/Scale 2:1	gezeichnet drawn	27.07.	Schmitt J.		
	geprüft checked	-	-		
	Normgepr. Stand., check	-	-		
Maße in mm/Dimensions are in mm					

Vol.	mm <sup>3</sup>	Dfl./Surf.	mm <sup>2</sup>	Ersatz für/Replacement for: -	
wieland		Type	Benennung/Tittle		
Elektrische Verbindungen		LP_GEAUSESTIFTLEISTE			
Rastermaß 5 / pitch 5		PCB header			