



Constant Current Driver

Model: RC36WYYY
RC40WYYY



Model	Output Current	Input Current	Input Power	Output Power Range	PF	Efficiency	Output Voltage	No load Voltage
RC36W600	600mA	0.22	43W	27-36W	0.95	88%	45-60V	75V
RC36W650	650mA	0.22	39W	23.4-32.5W	0.95	88%	36-50V	65V
RC36W700	700mA	0.22	42W	25.2-35W	0.95	88%	36-50V	65V
RC36W750	750mA	0.22	45W	27-37.5W	0.95	88%	36-50V	65V
RC36W800	800mA	0.22	40W	21.6-33.6W	0.95	88%	27-42V	55V
RC36W850	850mA	0.22	42W	22.95-35.7W	0.95	88%	27-42V	55V
RC36W900	900mA	0.22	43W	24.3-36W	0.95	88%	27-40V	55V
RC36W1050	1050mA	0.22	37W	19.95-31.5W	0.95	88%	19-30V	45V
RC40W900	900mA	0.25	46W	24.3-37.8W	0.95	88%	27-42V	55V
RC40W950	950mA	0.25	47W	25.65-39.9W	0.95	88%	27-42V	55V
RC40W1000	1000mA	0.25	48W	27-40W	0.95	88%	27-40V	55V
RC40W1050	1050mA	0.25	49W	28.35-42W	0.95	88%	24-40V	55V

* Test result @230V, 50Hz, Full Load.

1. Parameters

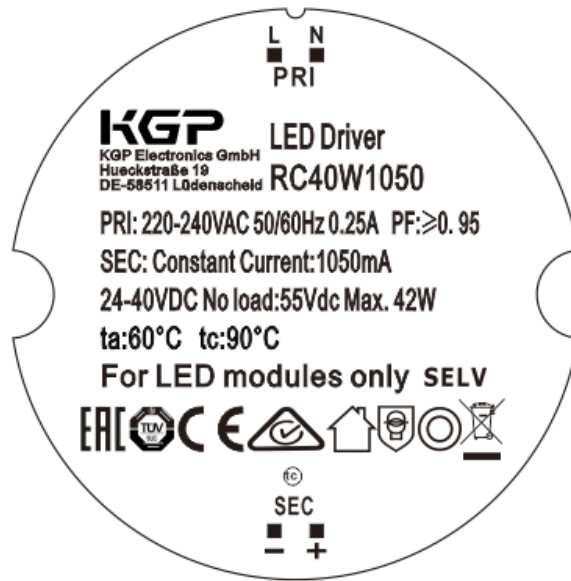
category	Item	Technical Norm
Features	Output Type	Constant Current
	IP Grade	IP44
	Insulation Class	Class II
Input	Rated Input Voltage	220-240VAC
	Range of Input Voltage	198-264VAC
	Frequency	50/60Hz
	Input Current	≤0.25A (198VAC, full load)
	Input Power	≤ 50W (230VAC, full load)
	Power Factor	≥0.95 (230VAC, full load)
	THD	≤15% (230VAC, full load)
	No-load Power Consumption	≤0.5W @230VAC
	Inrush Current	≤36A/420us (230VAC, Full-load)
Connected quantity of 16A Breaker	6pcs/type B ; 10pcs/type C @ 230Vac	
Output	Current Accuracy	±5%

	Max. Output Power	42W
	Started Delay Time	≤0.5S (230VAC, full load)
	Current Ripple	±5% (Imax-Imin) / (Imax+Imin)
Protection	Short Circuit Protection	Auto Recovery
	Overload Protection	Auto Recovery
	No-load Protection	Auto Recovery
	Insulation voltage	I/P to O/P , 3.75KVac/1min
	Insulation resistance	>100M ohm @ 500VDC
	Leakage current	I/P to O/P < 250 μ A
Environment	Ta/Operation Temperature	-20....+60°C
	Ts/Storage Temperature	-25....+85°C
	Tc/Enclosure Temperature	90°C
	Humidity	10%....90%RH
	Atmosphere	86-108KPa
Construction	Connection Method	Direct Lead
	Installation	Build-in
	PRI Wire preparation	0.5-1.5□
	SEC Wire preparation	0.5-1.5□
	Dimension	Φ70*25mm(R*H)
Standards	Certification	TUV、CE、 SAA
	Safety Standards	EN61347-1:2015,EN61347-2-13:2014/A1:2017,E N62493:2015, AS/NZS IEC61347.2.13:2013, AS/NZS 61347.1:2016
	EMC Standards	EN55015:2013/A1:2015,EN61000-3-2:2014,EN61 000-3-3:2013,EN61547:2009
	Performance	EN62384
	Surge	L-N/2KV
Others	RoHS	complied to 2011/65/EU
	Life Time	50,000h @60°C (Ta) / @90°C (Tc)
	Warranty	5years , F.R. < 10000ppm

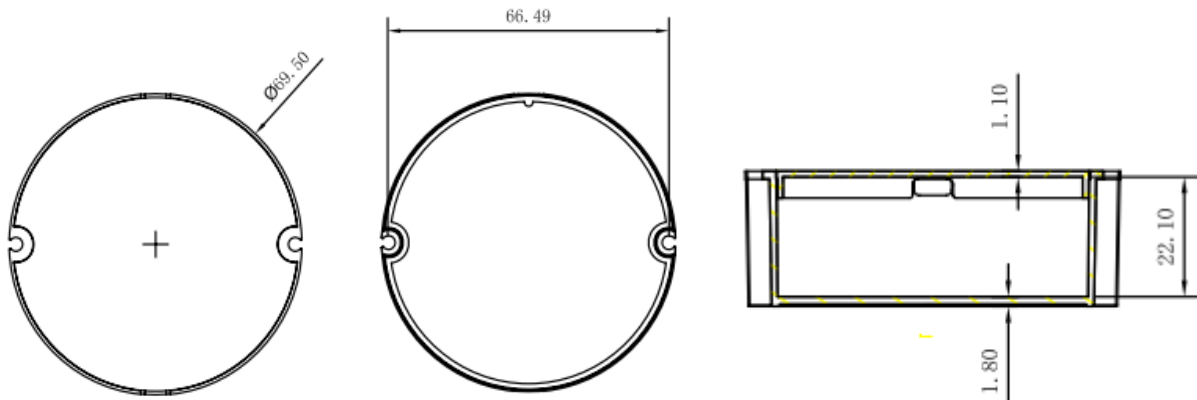
Remark

1. All Parameters, if not specified, are measured at 230VAC/50Hz and 25°C ambient temperature.
2. LED Driver is a component of the luminaires , Luminaires and wire layout will affect the EMC, please check the EMC with end products again.

2. Label (For example)

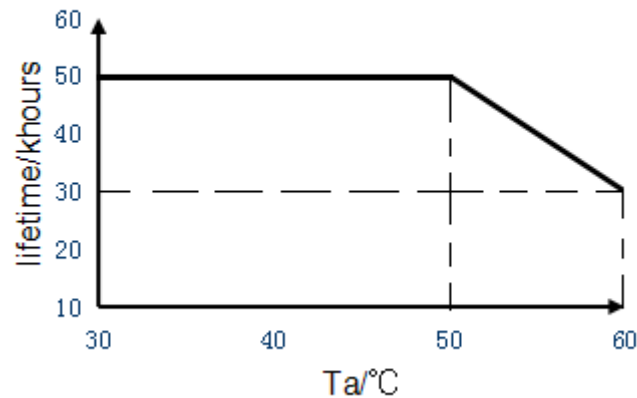


3. Dimension (Unit: mm)



4. Lifetime VS. Ta

Lifetime vs. Ta



5. Packing information

Carton L*W*H(mm)	Pcs/Carton	Net weight/ Pcs(kg)	Net weight/ Carton(kg)	Gross weight / Carton(kg)
450*240*200	130	T.B.D	T.B.D	T.B.D

6. Wiring Diagram

