

REV.	DESCRIPTION	DRAWN	CHECKED	APPROVED
A	NEW RELEASE	LJH 05/09/05'		

NOTES:

1.SPECIFICATIONS

- .CURRENT RATING: 0.5A/pin Max.
- .VOLTAGE RATING: 30V(DC)
- .DIELECTRIC WITHSTANDING VOLTAGE: 100VAC 1 minute.
- .CONTACT RESISTANCE: 50mΩ Max.
- .INSULATION RESISTANCE: 100MΩ Min.
- .TEMPERATURE RANGE: -20°C+70°C

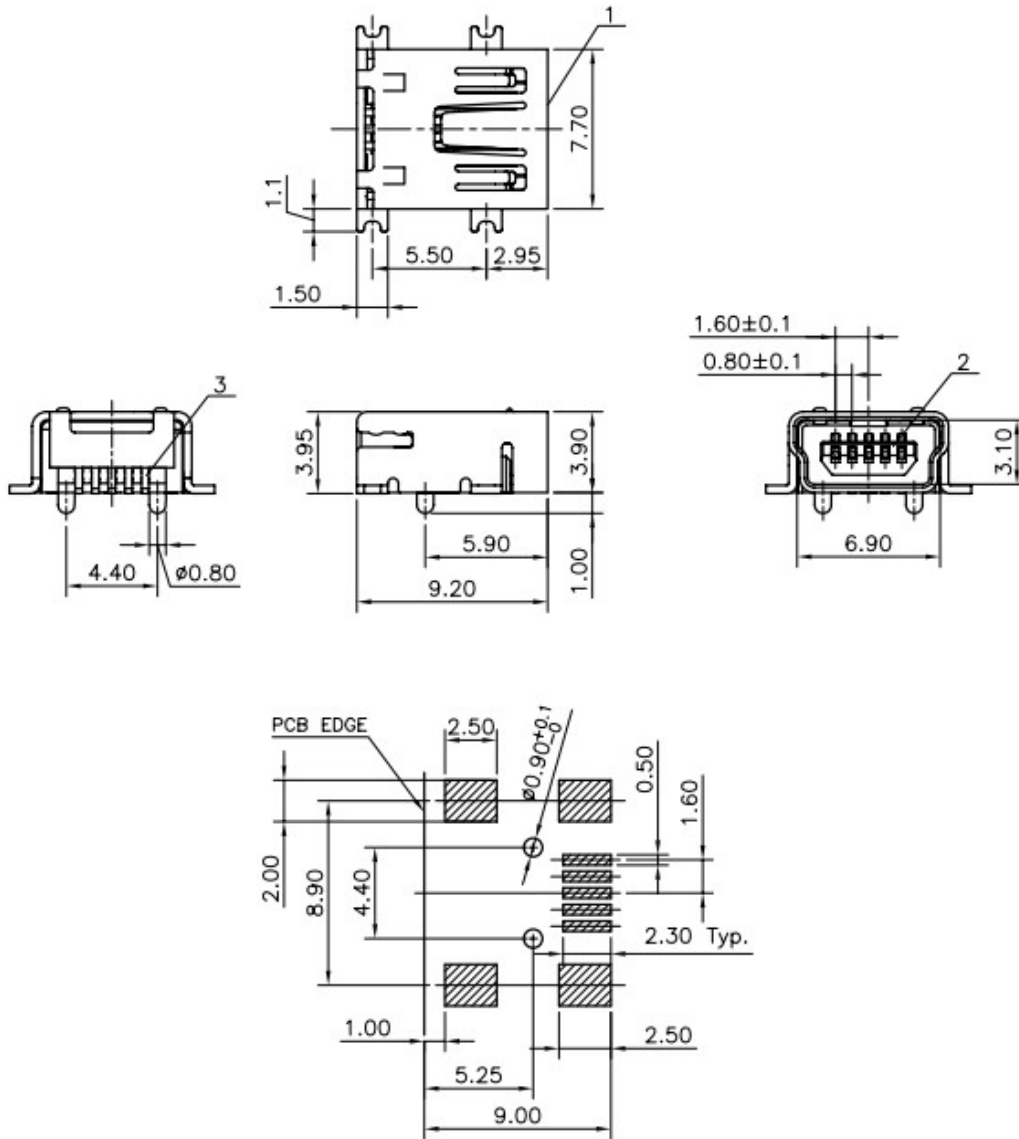
2.MATERIALS

- .HOUSING: High temperature plastic,UL 94 V-0.
- .SHELL: Copper alloy.
- .CONTACT: Copper alloy.

3.PRODUCT NUMBER CODE:

DS1104 - X X X

- Contact plating
- 0: Selective gold flash
- C: Selective 3u" gold
- 3: Selective 30u" gold
- Shell plating
- 6: Tin
- N: Nickel
- 8: Full gold
- Color of housing
- B: BLACK
- Products series
- DS1104



RECOMMEND PCB LAYOUT(TOLERANCE ±0.05)

GENERAL TOLERANCE		ANGLE TOLERANCE	
X.	±0.60	X.	±5°
.X	±0.38	.X	±3°
.XX	±0.25	.XX	±2°

PROJECTION	TITLE
UNITS	MINI USB B TYPE
SHEET SIZE	5PIN FEMALE SMT TYPE
	SERIES DS1104 SERIES
USBM-1J 1104	

3	CONTACT		COPPER ALLOY	SEE NOTES
2	HOUSING		THERMOPLASTIC	UL 94 V-0
1	SHELL		COPPER ALLOY	SEE NOTES
ITEM	PART NAME	PART NO.	MATERILAS	FINISHED

DRAWING TYPE	CUSTOMER
SCALE	1:1
DRAWING NO.	SHEET 1 OF 1
	C-DS1104-XXX