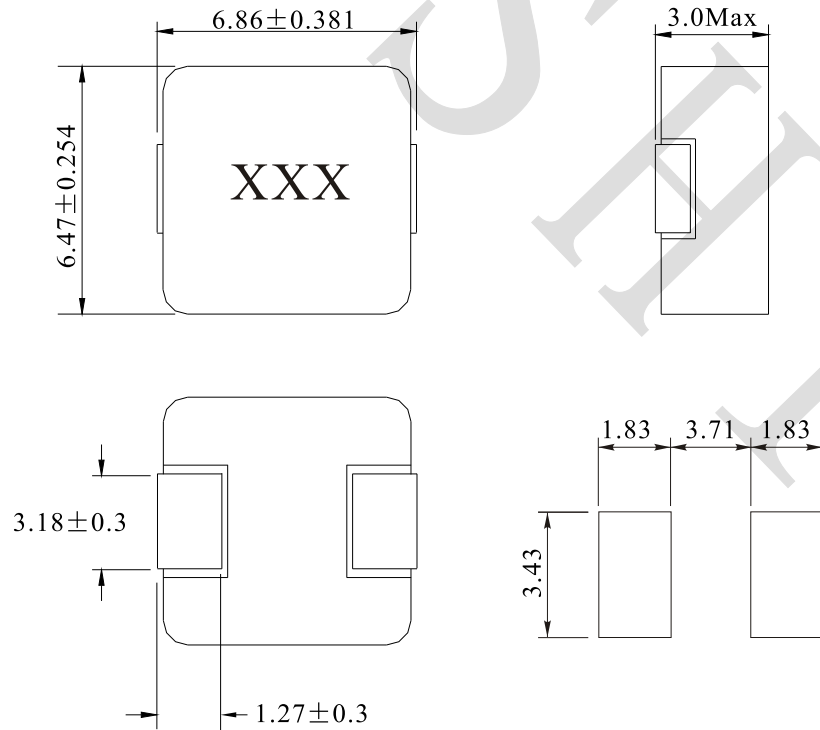
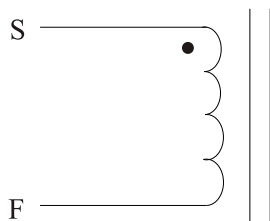


Rev.	Description	Date
A0	New release	2021.06.29

1. PHYSICAL CHARACTERISTICS(mm)



2. ELECTRONICAL SCHEMATIC



3. ELECTRONICAL SPECIFICATIONS

Inductance: 4.7uH ±20%@100KHz,0.25V

Rated current: 5.5A Max(temperature rise 40°CMax)

Saturation current: 10A Max(L drop 20%Max)

DCR: 40mΩ Max

Operating temperature: -55°C to +125°C

Test Instrument:

L: HP4284A

RDC: HM2540

Note:

- 1.Solderability:leads shall meet MIL-STD-202, Method 208D for solderability.
- 2.Flammability: UL94V-0
- 3.ASTM oxygen index: >28%

NAME:	High current inductors		
CUSTOMER P/N:	IHLP2525CZER4R7M01	DATE:	2021-06-29
SHINHOM P/N:	LPM0630-4R7M-5.5A	REV: A0	PAGE
DRAWN BY	CHECKED BY	APPROVE BY	



SHINHOM

SHAANXISHINHOM ENTERPRISE CO LTD

The Document property belong to SHINHOM & is not allowed to be duplicated without authorization