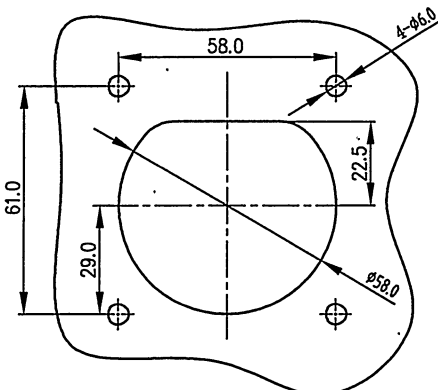
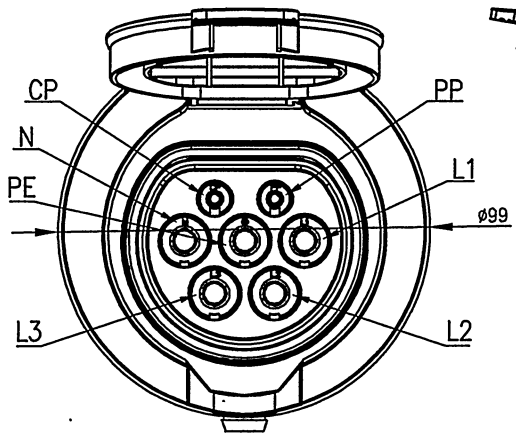


REVISION RECORD				
REV	ECN	DESCRIPTION	DRFT	DATE

H  
G  
F  
E  
D  
C  
B  
A

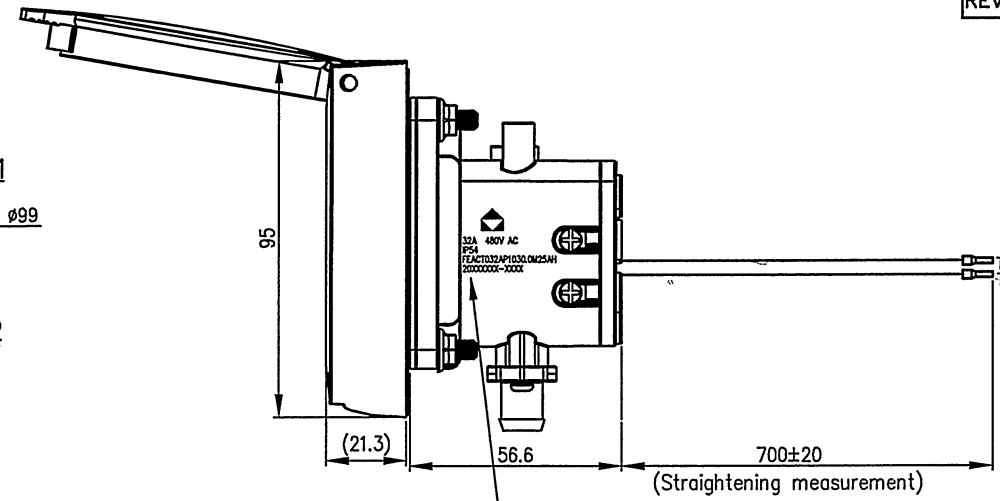


Installation plate dimension

Technical data	
Rated voltage	480V AC
Rated current	32A
Temperature range	-30°C~+50°C
Insulate resistance	>5MΩ,500V DC 1min
Withstanding Voltage	L, N and PE 2500V AC 1min
	L and N 2500V AC 1min
Ingress protection rating	IP54
Mechanical Working Life (Mating Cycles)	10,000 Times
Standartd	IEC 62196-2:2016
Flame Class	UL 94V-0

Connection Mode:

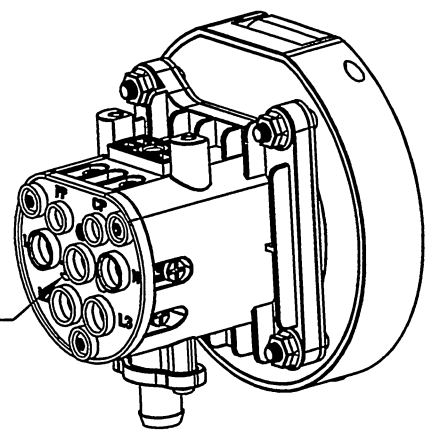
L1	(6mm <sup>2</sup> )	---	L1
L2	(6mm <sup>2</sup> )	---	L2
L3	(6mm <sup>2</sup> )	---	L3
N	(6mm <sup>2</sup> )	---	N
PE	(6mm <sup>2</sup> )	---	PE
PP	(0.75mm <sup>2</sup> )	---	PP
CP	(0.75mm <sup>2</sup> )	---	CP
NTC	White	---	T1
	White	---	T2



Laser Printing:

32A 480V AC  
IP54  
FEACT032AP1030.0M25AH  
20XXXXXX-XXXX

Temperature sensor clip hole for NTC sensor



Attention:  
The Thermistor is placed beside of L1  
The Thermistor is NTC  
(Specification :T= 25°C Resistance = 10±1% Kohm)  
The resistance decreases with increasing temperature

Size Measure Range	. XX	. X	PART NO.:	NINGBO DEGSON ELECTRICAL CO., LTD	
≤6	±0.05	±0.10	APPD: ZX 2019.10.16	NAME: Socket-Outlet (32A AC three-phase )	
6~30	±0.10	±0.20	CHKD: DT 2019.10.16	FEAC-T-032A-P1-03-0.0M-25A(H)	
30~120	±0.15	±0.30	DRFT: LLL 2019-10-16	TITLE: Customer Drawing	REV DO-1
120~400	±0.20	±0.50		DRAWING NO.:	SHEET 1/1
400~1000	±0.30	±0.80		MM (INCH)	SCALE 2:5
1000~2000	±0.50	±1.20		DO NOT SCALE DRAWING	
Angle Measure Range	. XX	. X	THIRD ANGLE PROJECTION		
	±0.5°	±1.0°			