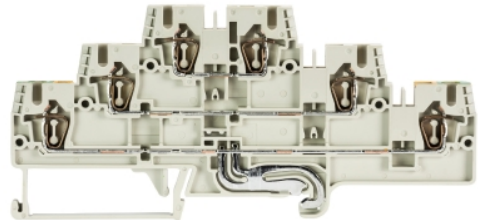


Data sheet

Commercial Art.No.: 56.703.3355.0

Multi-tier terminal WKFN 2,5 E3/D/D/SL/35

Duo Feed-through terminal with tension spring connection for mounting on TS 35, nominal cross section: 2.5 mm², width: 5 mm, color: grey



Commercial Art.No.	56.703.3355.0
EAN	4015573747609
Order Unit	50

Certificates / Approvals



Technical data

General

Nominal cross section	2.5 mm ²
Color	Grey
Number of levels	3
Number of clamp positions per level	2
Width/grid dimension	5 mm
Insulating housing	PA666
Inflammability class of insulation material acc. with UL94	V0
Explosion-tested version "Ex e"	No
Mounting method	DIN rail (top hat rail) 35/7.5 mm
Terminal blocks for electrical installations	No

Technical data

Rated current	24 A
Rated voltage	500 V
Rated impulse voltage	6 kV
Pollution degree	3
Closing plate required	yes
Type of insulation material	Thermoplastic
Length	123.1 mm

Connection Data

Connection type 1	spring clamp connection
Connection type 2	spring clamp connection
Minimum cross section solid	0.13 mm ²
Maximum cross section solid	4 mm ²
Minimum cross section fine stranded	0.13 mm ²
Maximum cross section fine stranded	2.5 mm ²
Wire strip length	11 mm

Technical Data UL/CSA

Cross section UL	22-12 AWG
Voltage UL	600 V
Cross section CSA	24-12 AWG
Voltage CSA	600 V
Current CSA	24 A

Classification

ECLASS 11	
ECLASS 8.1	27141120
ETIM 7.0	EC000897
ETIM 6.0	EC000897
ETIM 5.0	EC000897
ETIM 4.0	EC000897
ETIM 3.0	EC000897

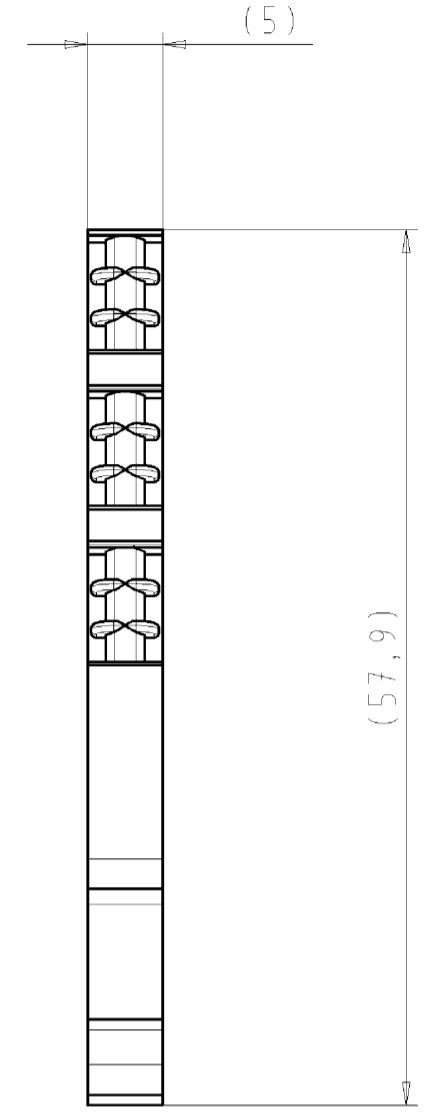
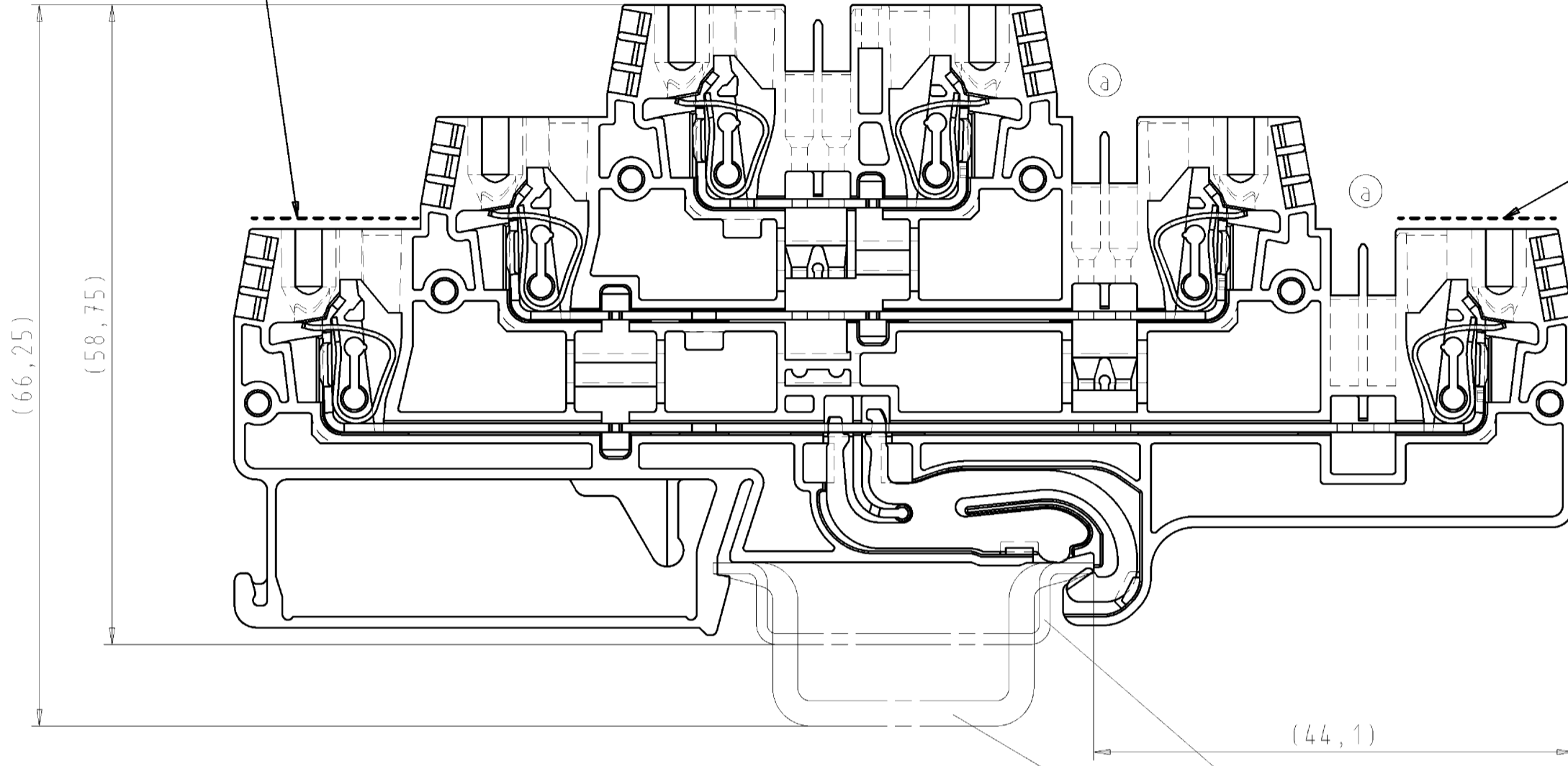
Accessories

Commercial Art.No.:	Article-type description:	Description:
Z7.261.1127.0	Jumper bar IVB WKF-V	Vertical cross connector for multi-tier DIN rail terminal blocks type WKF...E..., 1 -pole
Z7.280.6227.0	Jumper bar IVBWKF 2,5- 2	Cross connector, insulated for DIN rail terminal blocks type WKF..., 2 -pole
Z7.280.6327.0	Jumper bar IVBWKF 2,5- 3	Cross connector, insulated for DIN rail terminal blocks type WKF..., 3 -pole
Z7.280.6427.0	Jumper bar IVBWKF 2,5- 4	Cross connector, insulated for DIN rail terminal blocks type WKF..., 4 -pole
Z7.280.6527.0	Jumper bar IVBWKF 2,5- 5	Cross connector, insulated for DIN rail terminal blocks type WKF..., 5 -pole
Z7.280.6627.0	Jumper bar IVBWKF 2,5- 6	Cross connector, insulated for DIN rail terminal blocks type WKF..., 6 -pole
Z7.280.6727.0	Jumper bar IVBWKF 2,5- 7	Cross connector, insulated for DIN rail terminal blocks type WKF..., 7 -pole
Z7.280.6827.0	Jumper bar IVBWKF 2,5- 8	Cross connector, insulated for DIN rail terminal blocks type WKF..., 8 -pole
Z7.280.6927.0	Jumper bar IVBWKF 2,5- 9	Cross connector, insulated for DIN rail terminal blocks type WKF..., 9 -pole
Z7.280.7027.0	Jumper bar IVBWKF 2,5- 10	Cross connector, insulated for DIN rail terminal blocks type WKF..., 10 -pole
98.300.0000.0	Mounting rail TS 35x7,5 UNPERF - l:2000mm	Mounting rail TS 35, unslotted, size 7,5 mm, length 2 m, material steel. galv. zinc-plated and dichromated
98.300.1000.0	Mounting rail TS 35x7,5 PERF 15mm - l:2000mm	Mounting rail TS 35, slotted, size 7,5 mm, length 2 m, material steel. galv. zinc-plated and dichromated
98.300.1900.0	Mounting rail TS 35x7,5 PERF 25mm - l:2000mm	Mounting rail TS 35, slotted, size 7,5 mm, length 2 m, material steel. galv. zinc-plated and dichromated
98.360.0000.0	Mounting rail TS 35x15-2,3 UNPERF - l:2000mm	Mounting rail TS 35, unslotted, size 15 mm, length 2 m, material steel. galv. zinc-plated and dichromated
98.360.0004.0	Mounting rail TS 35x15-2,3 UNPERF FZN - l:2000mm	Mounting rail TS 35, unslotted, size 15 mm, length 2 m, material steel, hot galvanized
98.370.0000.0	Mounting rail TS 35x15 UNPERF - l:2000mm	Mounting rail TS 35, unslotted, size 15 mm, length 2 m, material steel. galv. zinc-plated and dichromated
98.370.1000.0	Mounting rail TS 35x15 PERF 15mm - l:2000mm	Mounting rail TS 35, slotted, size 15 mm, length 2 m, material steel. galv. zinc-plated and dichromated

98.380.0000.0	Mounting rail TS 35x15-2,3 UNPERF CU - l:2000mm	Mounting rail TS 35, unslotted, size 15 mm, length 2 m, material E copper
07.312.7555.0	End plate APFN 2,5 E3/35	End plate for DIN rail terminal blocks type WKFN 2,5 E3..., color: grey
07.312.7655.0	Partition TWFN 2,5 E3/35	Partition for DIN rail terminal blocks type WKFN 2,5 E3..., color: grey
Z7.280.7127.0	Jumper bar IVBWKF 2,5- 11	Cross connector, insulated for DIN rail terminal blocks type WKF..., 11 - pole
Z7.280.7227.0	Jumper bar IVBWKF 2,5- 12	Cross connector, insulated for DIN rail terminal blocks type WKF..., 12 - pole
Z7.280.8027.0	Jumper bar IVBWKF 2,5- 20	Cross connector, insulated for DIN rail terminal blocks type WKF..., 20 - pole
98.300.1800.0	Mounting rail TS 35x7,5 PERF 18mm - l:2000mm	Mounting rail TS 35, slotted, size 7,5 mm, length 2 m, material steel. galv. zinc-plated and dichromated
04.242.5053.0	Marking tag strips 9705 A / 5 / 10	Marking tag strips for DIN rail terminal blocks type 9700 A / 5..., 10 tags per strip, color: blue, unmarked, markable with Wieplot plotter-system

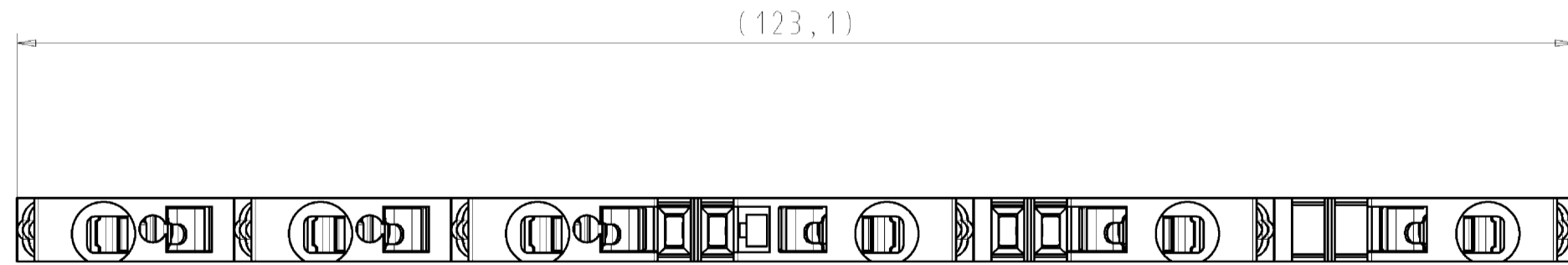
grün / gelb bedruckt
green/yellow printed

grün / gelb bedruckt
green/yellow printed



Hutschiene EN 60715-35x7,5
mounting rail EN 60715-35x7,5

Hutschiene EN 60715-35x15
mounting rail EN 60715-35x15



Weitere Daten siehe Katalog
further data see catalog

Tolerierung Size ISO 14405/Tolerance system Size ISO 14405 (This ISO-standard describes the envelope principle. According to the envelope principle the deviations of form and parallelism are limited by the size tolerances).		ja/yes <input checked="" type="checkbox"/> Stoffverhalts- und Deklarationsliste nach UU-TQM-05/03 ist einzuhalten. (Conformity with Wieland document UU-TQM-05/03 (list of prohibited / declarable hazardous substances) to be declared!)	
Freitoleranz nach - General tolerance		CAD - Zeichnung, keine manuellen Änderungen EAD - drawing, no manual modifications allowed	
		1. Verwendung: First Use:	
		Blatt: 1 von Sheet: 1 of 1	
		Zeichnung Nr./Drawing No.	
		56.703.3355.0 01K a	
		Maße in mm/Dimensions are in mm	
		Ersatz für/Replacement for:	
		Type	
		Benennung/Title	
		ETAGEN_UND_SL_KLEMME	
		Federkraft	
		double deck terminal/ earth terminal/ spring clamp	
		Werkstoff/Material	
		2004	
		Tag/Date	
		19.01.	
		Name	
		Schmitt J.	
		Maßstab/Scale	
		2:1	
		Vol.	
		- mm / Offl./Surf. - mm	
		Ersatz für/Replacement for:	
		Type	
		WKFN 2,5	
		E3/D/0/SL	
		/35	
		Benennung/Title	
		ETAGEN_UND_SL_KLEMME	
		Federkraft	
		double deck terminal/ earth terminal/ spring clamp	
		Werkstoff/Material	
		2004	
		Tag/Date	
		19.01.	
		Name	
		Schmitt J.	
		Maßstab/Scale	
		2:1	
		Vol.	
		- mm / Offl./Surf. - mm	
		Ersatz für/Replacement for:	
		Type	
		WKFN 2,5	
		E3/D/0/SL	
		/35	
		Benennung/Title	
		ETAGEN_UND_SL_KLEMME	
		Federkraft	
		double deck terminal/ earth terminal/ spring clamp	
		Werkstoff/Material	
		2004	
		Tag/Date	
		19.01.	
		Name	
		Schmitt J.	
		Maßstab/Scale	
		2:1	
		Vol.	
		- mm / Offl./Surf. - mm	
		Ersatz für/Replacement for:	
		Type	
		WKFN 2,5	
		E3/D/0/SL	
		/35	
		Benennung/Title	
		ETAGEN_UND_SL_KLEMME	
		Federkraft	
		double deck terminal/ earth terminal/ spring clamp	

Weitergabe sowie Vervielfältigung dieses Dokuments, Verwertung und Mitteilung seines Inhalts sind verboten, soweit nicht ausdrücklich gestattet. Die Reproduktion und Verbreitung dieses Dokuments ist ohne schriftliche Genehmigung der Wieland-Werke AG.

56703335501K_2_CAD2005_Schmitt2012-05-31T08:49:00 1.000