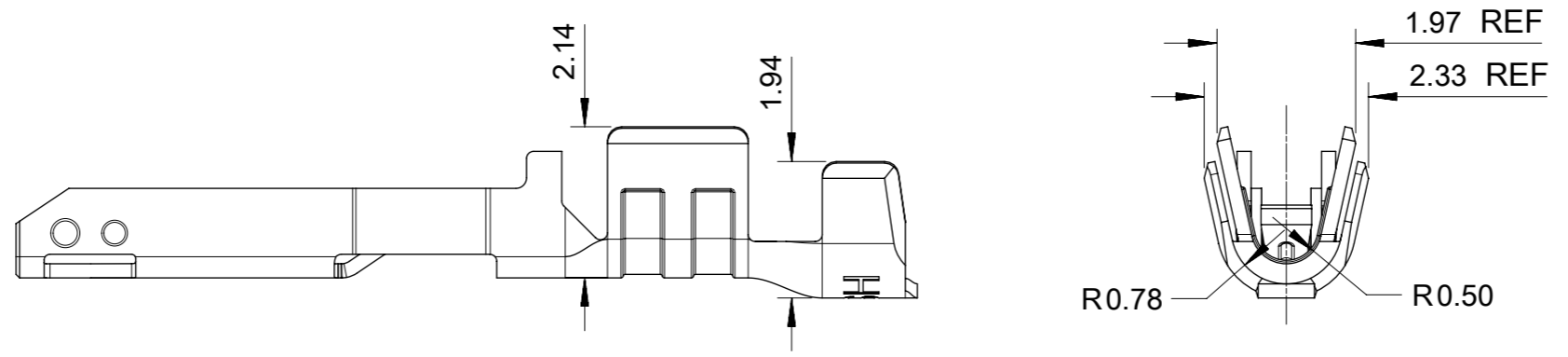


- NOTES:
1. MATERIAL: HIGH CONDUCTIVITY COPPER ALLOY.
 2. PLATING FINISH SEE CHART IN SHEET 3.
 3. PRODUCT SPECIFICATION: PS-105300-100.
 4. PACKAGE SPECIFICATION: PK-105300-100.
 5. THE TERMINAL IS LUBRICATED.
 6. THE COMPONENT COMPLIANT TO RoHS DIRECTIVE 2011/65/EU AND ELV DIRECTIVE 2000/53/EC.
 7. PRODUCT APPLY TO RECEPTACLE HOUSING OF 105307-**** AND 105308-****.
 8. PARTS CONFORM TO CLASS 'B' REQUIREMENTS OF COSMETIC SPECIFICATION PS-45499-002.
 9. APPLICATION SPECIFICATION: AS-105300-100.
 10. RECOMMENDED INSULATOR:
20AWG WIRE, OD 1.60MM MAX.
24AWG WIRE, OD 1.30MM MAX.

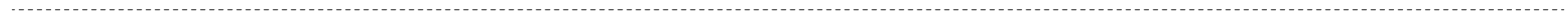
THIS DRAWING CONTAINS INFORMATION THAT IS PROPRIETARY TO MOLEX ELECTRONIC TECHNOLOGIES, LLC AND SHOULD NOT BE USED WITHOUT WRITTEN PERMISSION											
QUALITY SYMBOLS		EC NO: 670177		DRWN: GLLI		CHK'D: YXZHENG		APPR: YXZHENG		REV	
FA	= 0	2021/07/08	2021/07/19	2021/07/19	GENERAL TOLERANCES (UNLESS SPECIFIED)		DIMENSION UNITS		SCALE		
FE	= 0	4 PLACES		±	ANGULAR TOL ± 3.0 °		mm		10:1		
FP	= 0	3 PLACES		±	2 PLACES ± 0.15		DRWN BY		DATE		
▼	= 0	2 PLACES		± 0.20	1 PLACE ± 0.20		GLLI		2015/03/18		
∇	= 0	1 PLACE		±	0 PLACES ±		CHK'D BY		DATE		CRIMP TERMINAL FOR NANO-FIT, TIN PLATING POWER CONNECTOR
⊗	= 0	DRAFT WHERE APPLICABLE		MUST REMAIN WITHIN DIMENSIONS		APPR BY		DATE			
■	= 0	A2		A3		AYIN		2015/04/08		PRODUCT CUSTOMER DRAWING	
▽	= 0	A2		A3		DRAWING SIZE		THIRD ANGLE PROJECTION		SERIES	
		A2		A3		A3		THIRD ANGLE PROJECTION		200457	
		A2		A3		A3		THIRD ANGLE PROJECTION		MATERIAL NUMBER	
		A2		A3		A3		THIRD ANGLE PROJECTION		SEE SHEET 3	
		A2		A3		A3		THIRD ANGLE PROJECTION		CUSTOMER	
		A2		A3		A3		THIRD ANGLE PROJECTION		GENERAL MARKET	
		A2		A3		A3		THIRD ANGLE PROJECTION		DOCUMENT NUMBER	
		A2		A3		A3		THIRD ANGLE PROJECTION		2004570710	
		A2		A3		A3		THIRD ANGLE PROJECTION		DOC TYPE	
		A2		A3		A3		THIRD ANGLE PROJECTION		PSD	
		A2		A3		A3		THIRD ANGLE PROJECTION		DOC PART	
		A2		A3		A3		THIRD ANGLE PROJECTION		000	
		A2		A3		A3		THIRD ANGLE PROJECTION		SHEET NUMBER	
		A2		A3		A3		THIRD ANGLE PROJECTION		1 OF 3	

E

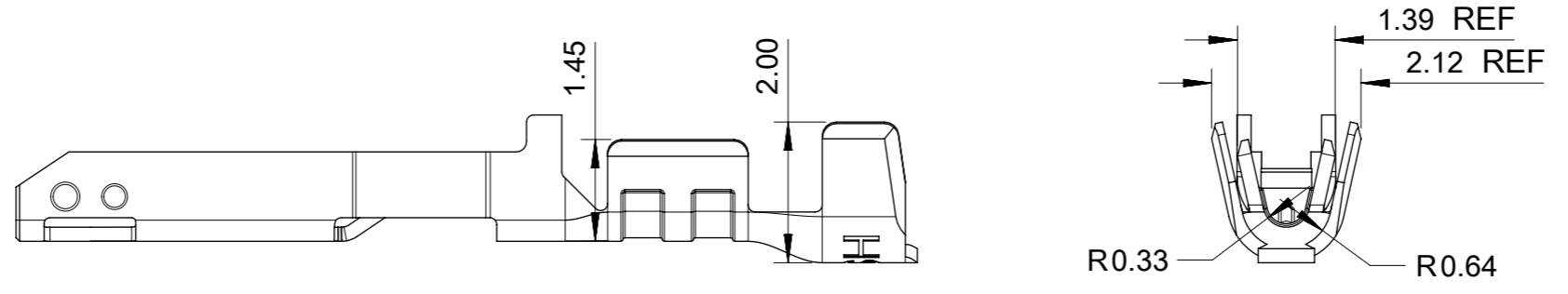


ONLY FOR WIRE OF AWG 20/22

D



C

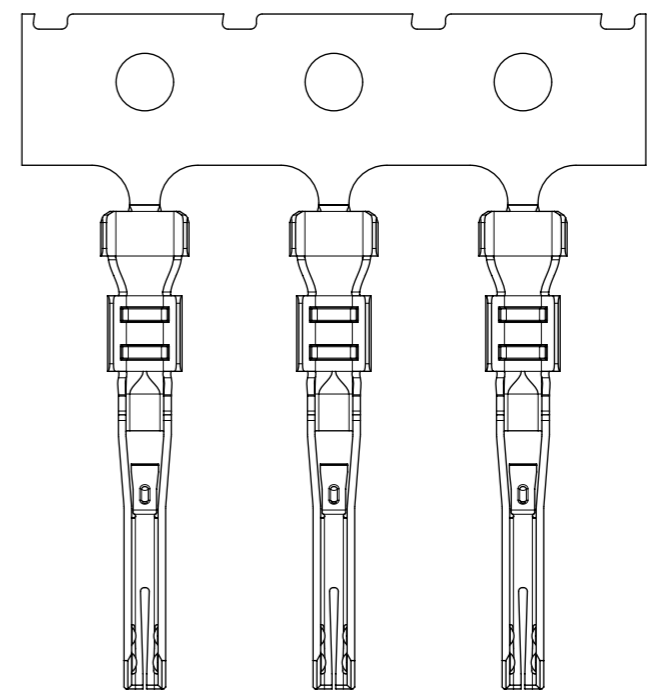
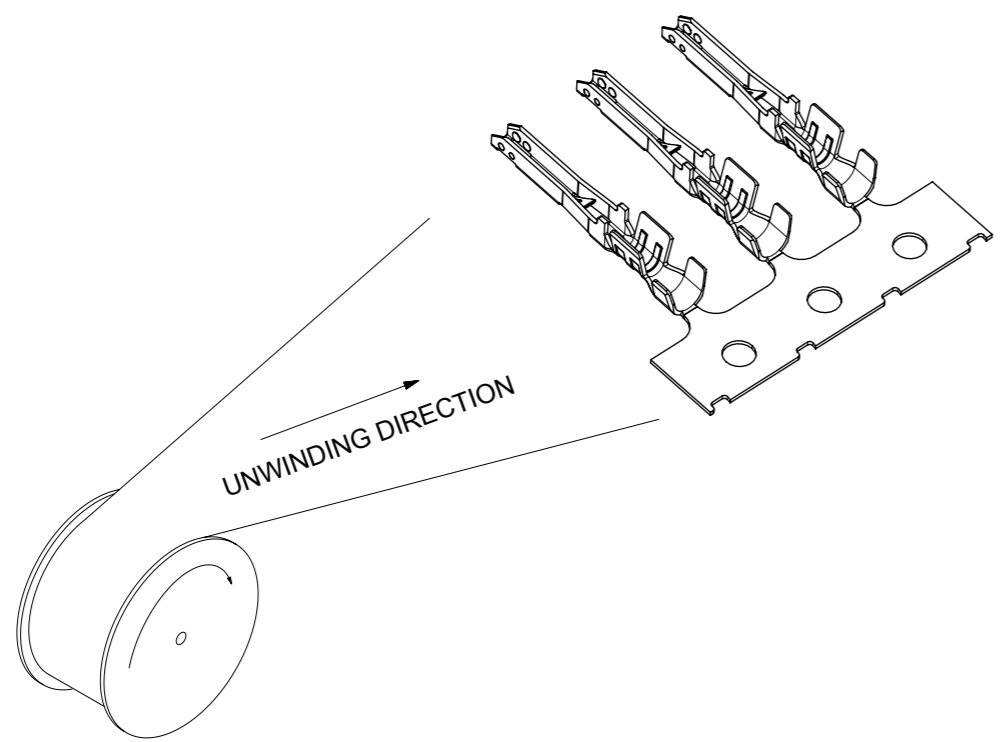


ONLY FOR WIRE OF AWG 24/26

B

A

QUALITY SYMBOLS □ = 0 ▽ = 0 ▽ = 0 ▽ = 0 ▽ = 0 ▽ = 0 ▽ = 0 ▽ = 0 ▽ = 0 ▽ = 0	THIS DRAWING CONTAINS INFORMATION THAT IS PROPRIETARY TO MOLEX ELECTRONIC TECHNOLOGIES, LLC AND SHOULD NOT BE USED WITHOUT WRITTEN PERMISSION											
	EC NO: 670177 DRWN: GLLI CHK'D: YXZHENG APPR: YXZHENG	2021/07/08	2021/07/19	2021/07/19	GENERAL TOLERANCES (UNLESS SPECIFIED)		DIMENSION UNITS	SCALE				
					ANGULAR TOL ± 3.0 °		mm	10:1				
					4 PLACES ±	DRWN BY		DATE		CRIMP TERMINAL FOR NANO-FIT, TIN PLATING POWER CONNECTOR		
					3 PLACES ±	GLLI		2015/03/18				
					2 PLACES ± 0.15	CHK'D BY		DATE				
				1 PLACE ± 0.20	APPR BY		DATE					
				0 PLACES ±	AYIN		2015/04/08		PRODUCT CUSTOMER DRAWING			
				DRAFT WHERE APPLICABLE MUST REMAIN WITHIN DIMENSIONS		DRAWING SIZE	THIRD ANGLE PROJECTION		SERIES	MATERIAL NUMBER	CUSTOMER	
						A3			200457	SEE SHEET 3	GENERAL MARKET	
							DOCUMENT NUMBER		DOC TYPE	DOC PART	SHEET NUMBER	
							2004570710		PSD	000	2 OF 3	



PART NUMBER	WIRE SIZE(AWG)
105300-1100	24/26
105300-2100	20/22

PLATING SPECIFICATION
 REFLOW MATTE TIN OVERALL(1.5 MICRONS MINIMUM BEFORE REFLOW),
 UNDER NICKEL PLATING 1.25 MICRONS MINIMUM OVERALL.

QUALITY SYMBOLS 	THIS DRAWING CONTAINS INFORMATION THAT IS PROPRIETARY TO MOLEX ELECTRONIC TECHNOLOGIES, LLC AND SHOULD NOT BE USED WITHOUT WRITTEN PERMISSION											
	2021/07/08	2021/07/19	2021/07/19	GENERAL TOLERANCES (UNLESS SPECIFIED)			DIMENSION UNITS	SCALE				
	2021/07/08	2021/07/19	2021/07/19	ANGULAR TOL ± 3.0 °			mm	5:1				
	2021/07/08	2021/07/19	2021/07/19	4 PLACES ±	DRIFT WHERE APPLICABLE MUST REMAIN WITHIN DIMENSIONS			DRWN BY		DATE		
2021/07/08	2021/07/19	2021/07/19	3 PLACES ±	GLLI				2015/03/18				
2021/07/08	2021/07/19	2021/07/19	2 PLACES ± 0.15	CHK'D BY				DATE				
2021/07/08	2021/07/19	2021/07/19	1 PLACE ± 0.20	APPR BY				DATE				
2021/07/08	2021/07/19	2021/07/19	0 PLACES ±	DRAWING SIZE		THIRD ANGLE PROJECTION		PRODUCT CUSTOMER DRAWING				
2021/07/08	2021/07/19	2021/07/19	A2	A3				SERIES	MATERIAL NUMBER	CUSTOMER		
								200457	SEE CHART	GENERAL MARKET		
								DOCUMENT NUMBER		DOC TYPE	DOC PART	SHEET NUMBER
								2004570710		PSD	000	3 OF 3