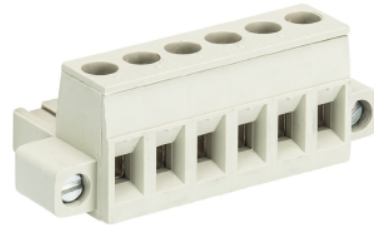


Data sheet

Commercial Art.No.: 25.322.4253.0

PCB connector 8113 B / 12 F OB

PCB female connector with screw connection with rising cage clamp system, 12 poles, max. cross section: 2.5 mm², pitch: 5 mm, type of packing: carton, color: grey



Commercial Art.No.	25.322.4253.0
EAN	4015573335332
Order Unit	50

Certificates / Approvals



Technical data

General

Modular spacing	5 mm
Connection type	screw connection
Soldering process	None
Packaging	Carton
Number of poles	12
Marking	No
Fastening	Flange
Mating direction towards connector	180°

Technical data

Nominal cross section	2.5 mm ²
Rated current	12 A
Overvoltage Category I	1000 V
Overvoltage Category II	400 V
Overvoltage Category III	250 V
Rated impulse voltage	4 kV
Wire strip length	6 mm

Connection Data

Minimum cross section solid	0.14 mm ²
Maximum cross section solid	2.5 mm ²
Minimum cross section fine stranded	0.14 mm ²
Maximum cross section fine stranded	2.5 mm ²
Wire strip length	6 mm

Technical Data UL/CSA

Cross section UL	22-12 AWG
------------------	-----------

Voltage UL	300 V
Current field wiring	15 A
Current factory wiring	15 A
Cross section CSA	22-12 AWG
Voltage CSA	300 V
Current CSA	15 A

Other

Type of insulation material	Thermoplastic
Color	Grey
Height	15 mm
Length	60 mm
Depth	18.2 mm
Material attachment screw	CuSn/Steel
Material contact base	CuSn
Material contact surface	Sn

Classification

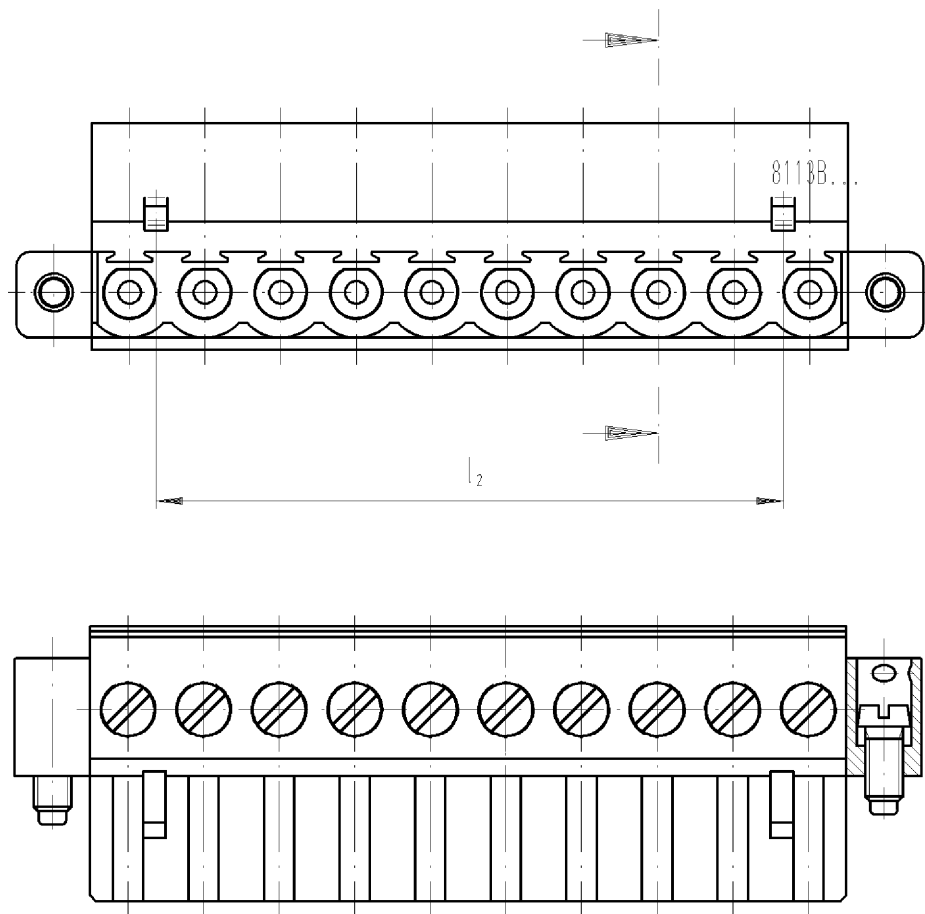
ECLASS 11	
ECLASS 8.1	27440402
ETIM 7.0	EC002637
ETIM 6.0	EC002637
ETIM 5.0	EC002637
ETIM 4.0	EC002637

Product compliance

ROHS conformity status	Compliant/Exempted
ROHS exceptions	III-6(c)
REACH-SVHC conformity status	Duty-To-Declare
REACH-SVHC substances	Lead
REACH-SVHC CAS numbers	7439-92-1

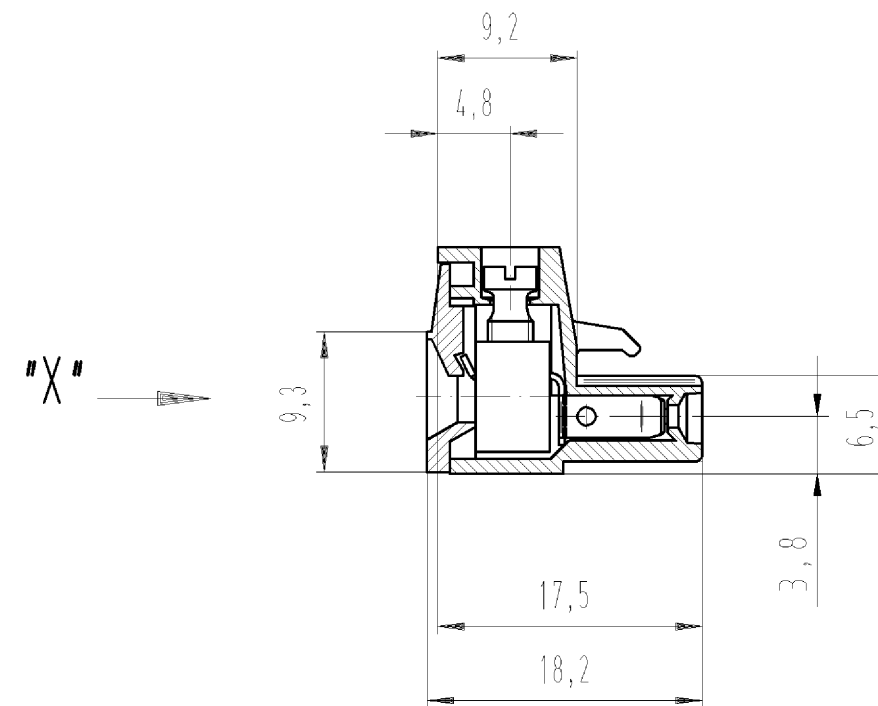
Fits with

Commercial Art.No.:	Article-type description:	Description:
25.339.4253.0	PCB pin header 8113 S / 12 WF OB	PCB pin header, connection method depends on used socket part , 12 poles, pitch: 5 mm, type of packing: carton, color: grey
25.338.4253.0	PCB pin header 8113 S / 12 GF OB	PCB pin header, connection method depends on used socket part , 12 poles, pitch: 5 mm, type of packing: carton, color: grey

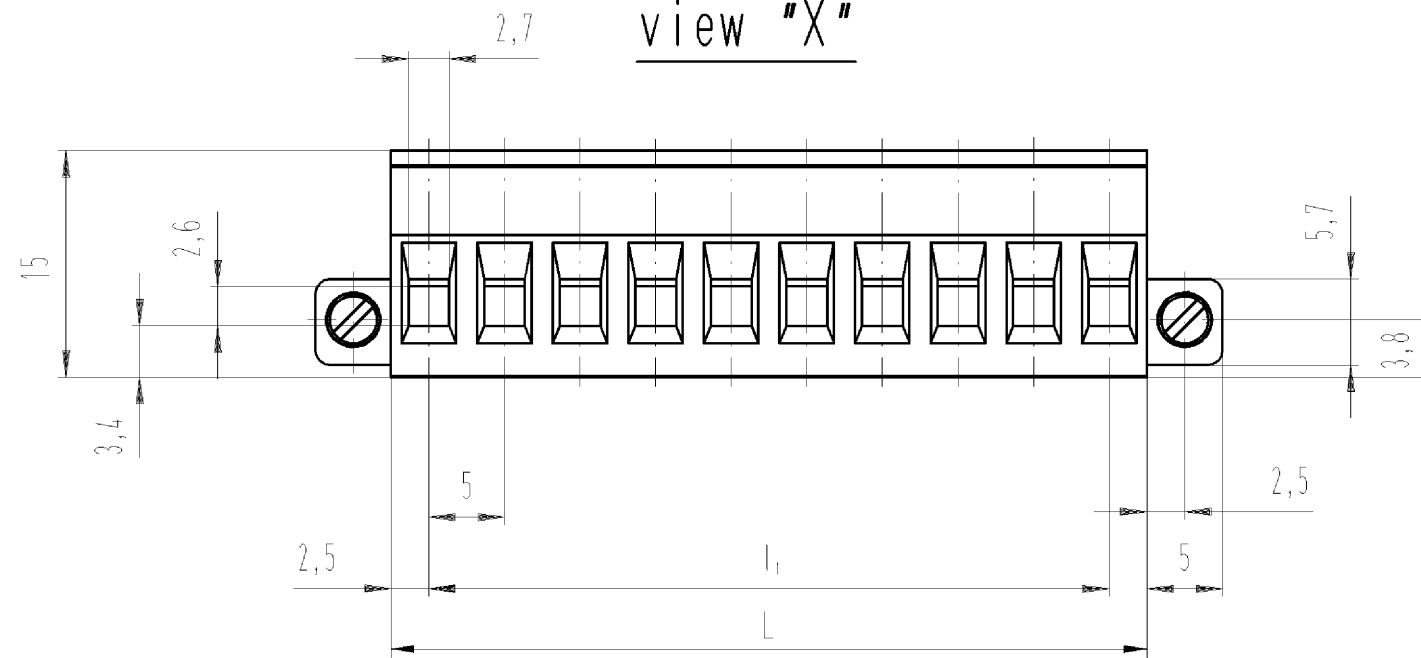


gezeichnete Ausführung: 10-polig
drawn version 10 poles

.F	Farbe/colour
.0	grau/grey
.1	schwarz/black
.7	grün/green



Ansicht "X"
view "X"



Teile-Nr. part-no.	Pol-Z. pole	L	l ₁	l ₂	Typ type	Teile-Nr. part-no.	Pol-Z. pole	L	l ₁	l ₂	Typ type
25.322.3253	2	10	5	-	8113B/02FOB	25.322.4353	13	65	60	56.5	8113B/13FOB
25.322.3353	3	15	10	6.5	8113B/03FOB	25.322.4453	14	70	65	61.5	8113B/14FOB
25.322.3453	4	20	15	11.5	8113B/04FOB	25.322.4553	15	75	70	66.5	8113B/15FOB
25.322.3553	5	25	20	16.5	8113B/05FOB	25.322.4653	16	80	75	71.5	8113B/16FOB
25.322.3653	6	30	25	21.5	8113B/06FOB	25.322.4753	17	85	80	76.5	8113B/17FOB
25.322.3753	7	35	30	26.5	8113B/07FOB	25.322.4853	18	90	85	81.5	8113B/18FOB
25.322.3853	8	40	35	31.5	8113B/08FOB	25.322.4953	19	95	90	86.5	8113B/19FOB
25.322.3953	9	45	40	36.5	8113B/09FOB	25.322.5053	20	100	95	91.5	8113B/20FOB
25.322.4053	10	50	45	41.5	8113B/10FOB	25.322.5153	21	105	100	96.5	8113B/21FOB
25.322.4153	11	55	50	46.5	8113B/11FOB	25.322.5253	22	110	105	101.5	8113B/22FOB
25.322.4253	12	60	55	51.5	8113B/12FOB						

Tolerierung nach DIN 7167/Tolerance system acc. to DIN 7167.
(This DIN-standard describes the envelope principle. According to the envelope principle the deviations of form and parallelism are limited by the size tolerances).

ja/yes Stoffverbots- und Deklarationsliste nach UU-TQM-05/03 ist einzuhalten.
Conformity with Wieland document UU-TQM-05/03 (list of prohibited / declarable hazardous substances) to be declared!

Freitoleranz nach General tolerance CAD - Zeichnung, keine manuellen Änderungen CAD - drawing, no manual modifications allowed

1. Verwendung: - First Use: -

Blatt: 1 von 1 Sheet: 1 of 1

Zeichnung Nr./Drawing No. 25.322.3253.0 01K

Maße in mm/Dimensions are in mm

Werkstoff/Material 2005 Tag/Date Name
gezeichnet/drawn 08.12. Schmitt J.
geprüft/checked - -
Ningep. Stand. check - -

Vol. mm³ Öl./Surf. mm² Ersatz für/Replacement for: -

wieland Type Benennung/Title LP_STECKKLEMME
indirekt steckbar, Schraubausführung Rastmass 5
Pluggable PCB terminal rising cage clamp, pitch 5

Elektrische Verbindungen

Index Datum / Blatt Date / Sheet

Änderung/Revision

Weitergabe sowie Vervielfältigung dieses Dokuments, Verwertung und Mitteilung seines Inhalts sind verboten, soweit nicht ausdrücklich gestattet. Die Reproduktion, Distribution und Nutzung dieses Dokuments sowie die Kommunikation der Inhalte ist ohne ausdrückliche Genehmigung untersagt.

253223253001K_4_CADW1044_Schmitt_2005-12-20T08:48:13 1.000

QU-PEM-08/91