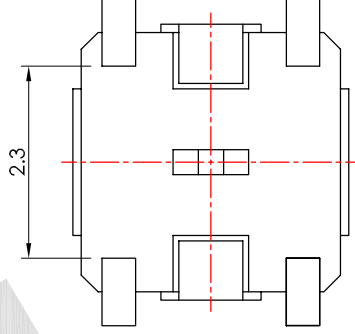
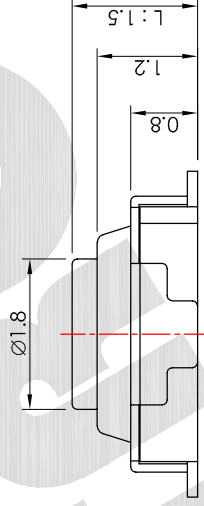
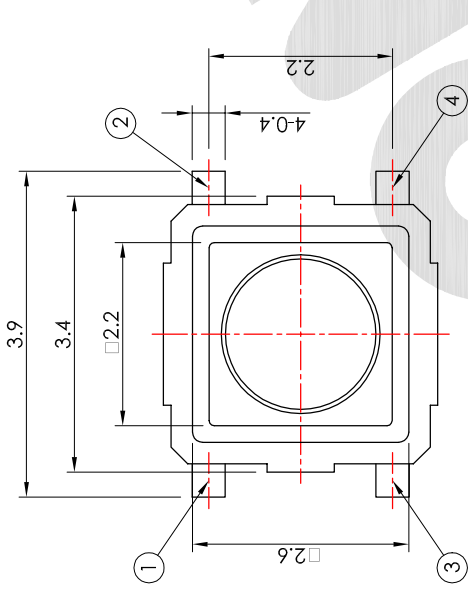
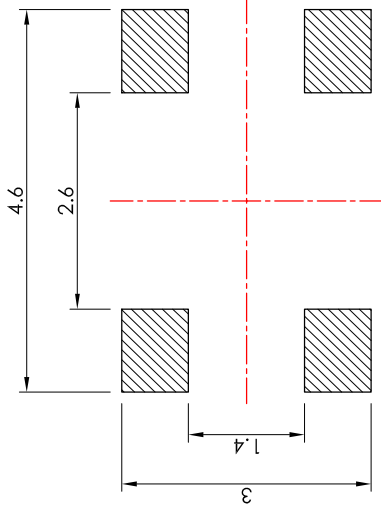


版本：V2.2

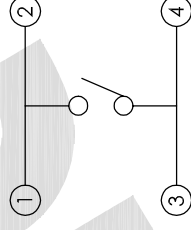
本圖面若與目錄之規格尺寸不符，以本圖面規格尺寸為主。
Below is our main specification if different from catalog.

RoHS compliant

SMD REFLOW PATTERN



CIRCUIT DIAGRAM



RoHS compliant

IT-1184X-XXXG-G

MODEL NO.	L	OPERATING FORCE
<input type="checkbox"/>	1.5	160, 250
A	2	

SPECIFICATION

Rating: 50mA 12V DC Max.
Circuit: SPST.
Travel: 0.2±0.1mm.
Contact resistance: 100mΩ Max. (initial)
Operating force: 160±50g.
Operating life: 100,000 Cycles Min.
Minimum load: 10mA 3.3V DC. (reference only)
Soldering temperature: 250°C Max for 3 Sec.
Soldering time: 1 time only.

Note: Not washable, don't immerse into epoxy and organic solvent.



CV3.1	△		
CV3.0	無	新繪製	2010.01.18
版本	符號	修改內容	更新日期
VER.	SYMBOL	ALTERATION	DATE

產品 製圖 DRAWN BY Jaru Chiu	Tact Switch	核圖 CHECKED BY Alex Jim	主營 APPROVED BY Margaret Joe	型號	IT-1184-160G-G
				MODEL NO.	
				單位	mm
				比例	11 : 1
				公差	X=±0.3mm, XX=±0.2mm

SWITRONIC
INDUSTRIAL CORP.
Switches



一綺電子企業股份有限公司
總公司：110 台北市信義路四段415號13樓之3
13F-3 NO. 415, SEC. 4, HSN YI ROAD, TAIPEI, TAIWAN
TEL: 886-2-27290229 (Rep.) FAX: 886-2-27582086
URL: http://www.switronic.com.tw
E-MAIL: switches@ms36.hinet.net