

## Data sheet

Commercial Art.No.: 70.350.2435.1

Hood BAS GOT GA 24 M25 A1

Hood revos basic made of aluminum, for double locking lever or. screw cap with threaded hole M25 on the right side, low version, 24-poles



Commercial Art.No.	70.350.2435.1
EAN	4015573598713
Order Unit	1

Certificates / Approvals



## Technical data

### General

Housing material	aluminum
Color	Grey
Surface	With powder coating
Degree of protection (IP)	Other
UV resistant	yes
Inflammability class of insulation material acc. with UL94	Other
Operating temperature range min.	-40 °C
Operating temperature range max.	120 °C

### Model

Construction	24
Locking mechanism	Double locking levers
Cable entry	Sideways
Type of cable	Thread
With cable screw gland	No
Thread size M	25
Thread size PG	
Hinged lid	No
EMC-version	No
Length	120 mm
Width	57 mm
Height	70 mm

### Classification

ECLASS 11	
-----------	--

ECLASS 8.1	27440202
ETIM 7.0	EC000437
ETIM 6.0	EC000437
ETIM 5.0	EC000437
ETIM 4.0	EC000437
ETIM 3.0	EC000437

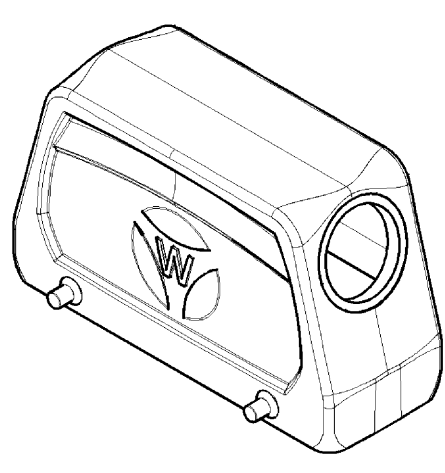
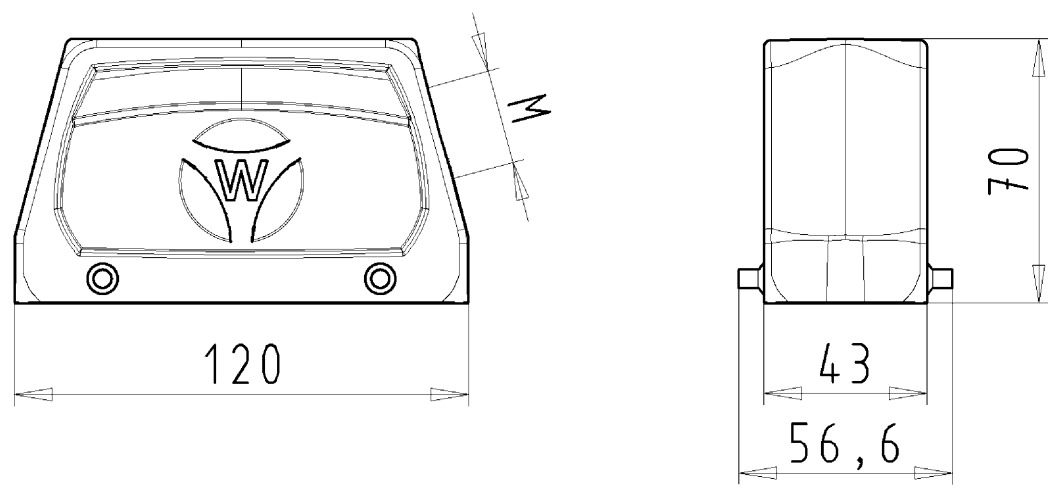
**Product compliance**

REACH-SVHC conformity status	Compliant
------------------------------	-----------

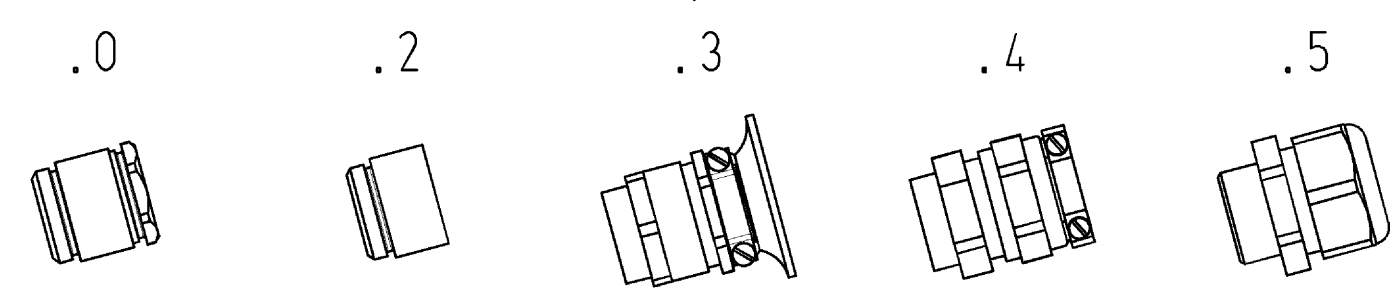
**Fits with**

Commercial Art.No.:	Article-type description:	Description:
70.300.2440.0	Female insert BAS BUS 24 2,5 50	Female insert revos basic, 24-poles, rated current: 16A, rated voltage:500V, with tin-plated contacts
70.301.2440.0	Female insert BAS BUS 24 2,5 50 AU	Female insert revos basic, 24-poles, rated current: 16A, rated voltage:500V, with gold-plated contacts
70.302.2440.0	Female insert BAS BUS OD 24 2,5 50	Female insert revos basic, 24-poles, rated current: 16A, rated voltage:500V, with tin-plated contacts
70.310.2440.0	Male insert BAS STS 24 2,5 50	Male insert revos basic, 24-poles, rated current: 16A, rated voltage: 500V, with tin-plated contacts
70.311.2440.0	Male insert BAS STS 24 2,5 50 AU	Male insert revos basic, 24-poles, rated current: 16A, rated voltage: 500V, with gold-plated contacts
70.312.2440.0	Male insert BAS STS OD 24 2,5 50	Male insert revos basic, 24-poles, rated current: 16A, rated voltage: 500V, with tin-plated contacts
70.500.2453.0	Female insert BAS BUF 24 2,5 50	Female insert revos basic, 24-poles, rated current: 16A, rated voltage:500V, with silver-plated contacts
70.510.2453.0	Male insert BAS STF 24 2,5 50	Male insert revos basic, 24-poles, rated current: 16A, rated voltage: 500V, with tin-plated contacts
70.700.2458.0	Female insert BAS BUC 24 50	Female insert revos basic, 24-poles, rated current: 16A, rated voltage:500V, with tin-plated contacts
70.710.2458.0	Male insert BAS STC 24 50	Male insert revos basic, 24-poles, rated current: 16A, rated voltage: 500V, with tin-plated contacts
70.800.4656.0	Female insert BAS BUCK 46 50 PC	Female insert revos basic, 46-poles, polycarbonate insert, rated current: 16A, rated voltage: 500V, with gold-plated or silver-plated contacts
70.810.4656.0	Male insert BAS STCK 46 50	Male insert revos basic, 46-poles, rated current: 16A, rated voltage: 500V, with gold-plated or silver-plated contacts
70.400.1040.0	Female insert BAS BUS 10 2,5 64	Female insert revos basic, 10-poles, rated current: 16A, rated voltage:690V, with tin-plated contacts
70.410.1040.0	Male insert BAS STS 10 2,5 64	Male insert revos basic, 10-poles, rated current: 16A, rated voltage: 690V, with tin-plated contacts
70.400.1640.0	Female insert BAS BUS 16 2,5 64	Female insert revos basic, 16-poles, rated current: 16A, rated voltage:690V, with tin-plated contacts
70.410.1640.0	Male insert BAS STS 16 2,5 64	Male insert revos basic, 16-poles, rated current: 16A, rated voltage: 690V, with tin-plated contacts
72.300.2453.0	Female insert BAS BUS 24 2,5 69	Female insert revos basic, 24-poles, rated current: 16A, rated voltage:690V, with tin-plated contacts
72.310.2453.0	Male insert BAS STS 24 2,5 69	Male insert revos basic, 24-poles, rated current: 16A, rated voltage: 690V, with tin-plated contacts
72.700.2458.0	Female insert BAS BUC 24 69	Female insert revos basic, 24-poles, rated current: 16A, rated voltage:690V, with tin-plated contacts

72.710.2458.0	Male insert BAS STC 24 69	Male insert revos basic, 24-poles, rated current: 16A, rated voltage: 690V, with tin-plated contacts
73.800.0853.0	Female insert DD BUC 108 1,5 25	revos DD 108 pole + ground, female insert, 250V/10A, crimp connection
73.810.0853.0	Male insert DD STC 108 1,5 25	revos DD 108 pole + ground, male insert 250V/10A, crimp connection
70.405.2453.0	Female insert BAS BUP 24 2,5 50 AG	Female insert revos basic, 24-poles, rated current: 16A, rated voltage:500V, with silver-plated contacts
70.415.2453.0	Male insert BAS STP 24 2,5 50 AG	Male insert revos basic, 24-poles, rated current: 16A, rated voltage: 500V, with silver-plated contacts
72.206.1253.0	Female insert POW BUS 4/8 NL BB AG	
72.216.1253.0	Male insert POW STS 4/8 NL BB AG	



Varianten/ Variants



70.35 <sup>3</sup> <sub>0</sub> .2435.5	BAS GOT GA 24	M32 M25	A 5	Kabelverschraubung(KV), IP65 /Cable gland(CG), IP65	
70.35 <sup>3</sup> <sub>0</sub> .2435.4	BAS GOT GA 24	M32 M25	A 4	KV mit Zugentlastung, IP54 /CG with strain relief, IP54	
70.35 <sup>3</sup> <sub>0</sub> .2435.3	BAS GOT GA 24	M32 M25	A 3	KV mit Zugentlastung und Knickschutz, IP54 /CG with strain relief and bend support, IP54	
70.35 <sup>3</sup> <sub>0</sub> .2435.2	BAS GOT GA 24	M32 M25	A 2	Zwischenstützen /Bushing	
70.35 <sup>3</sup> <sub>0</sub> .2435.1	BAS GOT GA 24	M32 M25	A 1	Gewindebohrung /Thread hole	X
70.35 <sup>3</sup> <sub>0</sub> .2435.0	BAS GOT GA 24	M32 M25	A 0	Kabelverschraubung(KV), IP54 /Cable gland(CG), IP54	

Bestellnummer /Order number	Typ /Type	Varianten /Variants	der- gestellt /drawn
--------------------------------	--------------	------------------------	----------------------------

Weitere Daten siehe KATALOG oder eKatalog. Additional data see CATALOG or eCatalog. [www.wieland-electric.com](http://www.wieland-electric.com)  
[eshop.wieland-electric.com](http://eshop.wieland-electric.com)

Tolerierung Size ISO 14405(☉)/Tolerance system Size ISO 14405(☉). (This ISO-standard describes the envelope principle. According to the envelope principle the deviations of form and parallelism are limited by the size tolerances).		ja/yes <input checked="" type="checkbox"/> Stoffverbots- und Deklarationsliste nach UU-TOM-05/03 ist einzuhalten. Conformity with Wieland document UU-TOM-05/03 (list of prohibited / declarable hazardous substances) to be declared!	
Freitoleranz nach General tolerance		CAD - Zeichnung, keine manuellen Änderungen CAD - drawing, no manual modifications allowed	1. Verwendung: - First Use:
Blatt: 1 von 1 Sheet: of 1		Zeichnung Nr./Drawing No. Index	
T 70.350.2435.0 13K		Maße in mm/Dimensions are in mm	
Werkstoff/Material Aluminium beschichtet/ coated grau/ grey		2013 gezeichnet drawn 21.08. Treschan geprüft checked - Normgepr. Stand. check -	Name Treschan
Vol. mm <sup>3</sup> Ofl./Surf. mm <sup>2</sup>		Ersatz für/Replacement for: -	
wieland Elektrische Verbindungen		Type revos BASIC	Benennung/Tittle GEHAEUSEBERTE IL Baugröße 24-Kabelabgang seitlich-M25/M32 Hood size 24-cable outlet side-M25/M32
Index	Datum / Blatt Date / Sheet	Änderung/Revision	

These dimensions will be especially checked at delivery  
 Only inspection dimensions  
 With /E marked dimensions are only valid for internal use

Diese Maße werden bei Abnahme besonders geprüft  
 Ausschließlich Prüfmaße  
 Mit /E gekennzeichnete Maße sind nur für interne Zwecke gültig

Weitergabe sowie Vervielfältigung dieses Dokuments, Verwertung und Mitteilung seines Inhalts sind verboten, soweit nicht ausdrücklich gestattet.  
 The reproduction, distribution and utilization of this document as well as the communication of its contents to others without express authorization is prohibited.

703502435013K\_2\_CADW3028\_Treschan 2013-09-201084922 1.000