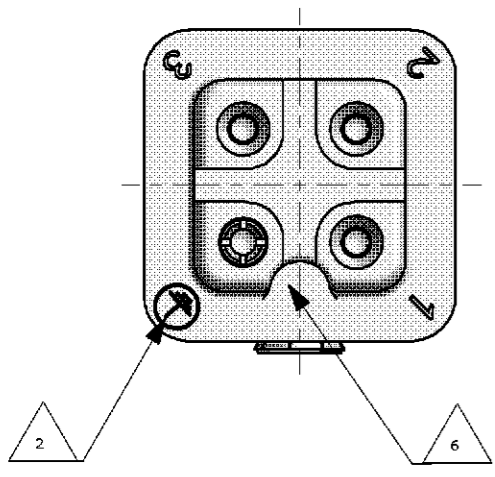
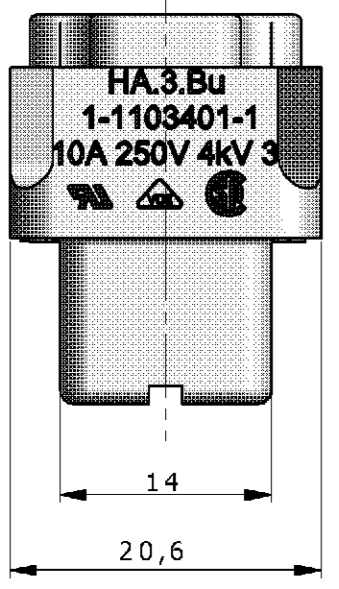


LOC	DIST	REVISIONS ÄNDERUNGEN					
AI	-	P	LTR	DATE	DWN	APVD	
PROJECT NR.	HA.3/4	C1		PRINTING CORRECTED ECR-06-021058	01.09.2006	SR	SM

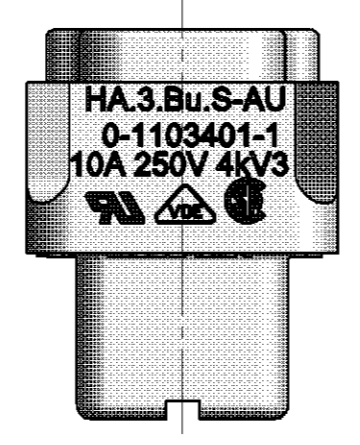
CONTACT ARRANGEMENT
VIEW FROM CONNECTING SIDE



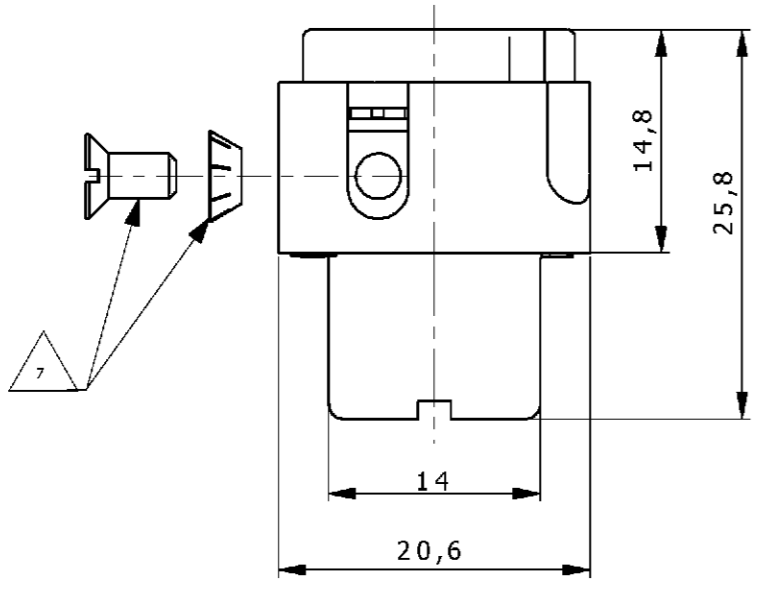
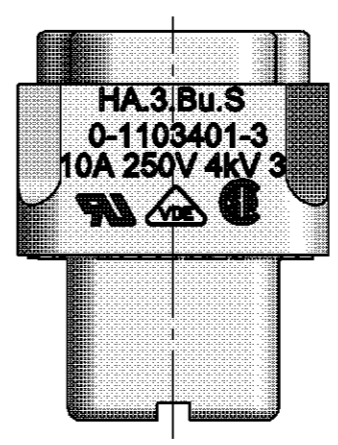
LATERAL PRINT
PN 1-1



LATERAL PRINT
PN 0-1



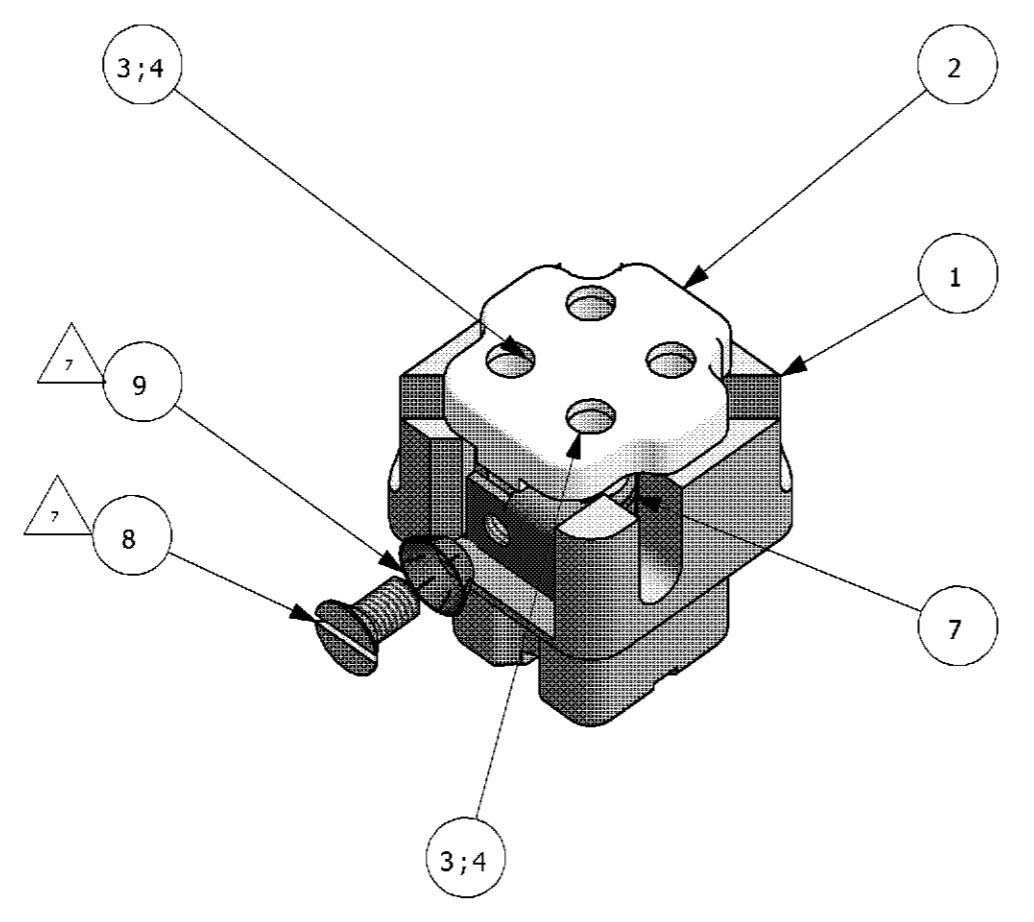
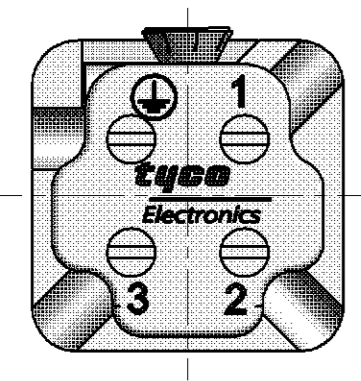
LATERAL PRINT
PN 0-3



NOTES

- 1 CONTACT: 1 TO 3
SUITABLE SCREW CONTACTS: SERIES HA.3
OUTER DIMENSIONS OF INSULATION: MAX. Ø3,4 MM
- 2 GROUNDING CONTACT:
SUITABLE SCREW CONTACTS: SERIES HA.3
OUTER DIMENSIONS OF INSULATION: MAX. Ø3,4 MM
- 3 SUITABLE HOOD SIZE 1: SERIES HA; HD; EMV AND HIP
- 4 SUITABLE INSERTION AND EXTRACTION TOOL:
SCREWDRIVER 2,0x65
- 5 STANDARDS:
DIN EN 61984; DIN EN 60664-1
- 6 POLARIZATION RIPS
- 7 POS. 8 AND POS.9 PACKED SEPARATE IN POLY BAG
- 8 AUTHORIZATION: UL; CSA; VDE; SEV
- 9 PACKAGING:
10 SETS IN A CARTON, PRE-MOUNTED
- 10 PACKAGING:
200 SETS IN A CANN-BAN BOX

CONTACT ARRANGEMENT
VIEW FROM TERMINATION SIDE



QTY	QTY	QTY	QTY	DESCRIPTION	MATERIAL	COLOR	SURFACE	ITEM	NOTES
1	1	1		SPRING WASHER	SEEL		ZINK PLATED	9	V3.2
1	1	1		SLOTTED OUTER FLAT HEAD SCREW	SEEL		ZINK PLATED	8	M3x6
4	4	4	4	SLOTTED CHEESE HEAD SCREW	BRASS		NICKEL PLATED	7	M3x5.5
1				EARTING CONTACT PIN WITH ANGLE	BRASS		SILVER PLATED	6	
1	1	1	1	EARTING CONTACT SOCKET WITH ANGLE	BRASS		GOLD PLATED	5	
3				CONTACT SOCKET	BRASS		GOLD PLATED	4	
3	3	3	3	CONTACT SOCKET	BRASS		SILVER PLATED	3	
1	1	1	1	COVER	PC	BEIGE		2	
1	1	1	1	FEMALE INSERT	PC	BEIGE		1	
0-3	0-2	0-1	1-1	DESCRIPTION	MATERIAL	COLOR	SURFACE	ITEM	NOTES
				HA.3.Bu.S					
				HA.3.Bu.S-AU					
				HA.3.Bu.S-KM					
				HA.3.Bu.S					

THIS DRAWING IS A CONTROLLED DOCUMENT FOR AMP INCORPORATED. IT IS SUBJECT TO CHANGE AND THE CONTROLLING ENGINEERING ORGANIZATION SHOULD BE CONTACTED FOR THE LATEST REVISION. DIESSES ZEICHNUNGSOBJEKT WIRD DURCH AMP INCORPORATED KONTROLLIERT. ANDERÄNDERUNGEN, DIE DEM TECHNISCHEN FORTSCHRITT ÜBEREN, SIND VORZUHALTEN. DEN VEREINBARTETZUNGSÄNDERUNGEN BEFOLGEN SIE AMP ANFANG.

DWN SCHNEIDER 09.05.2006

CHK KRAMER 24.09.1999

ARVD T.SCHNURPFEL 10.04.2006

NAME T.SCHNURPFEL

PRODUCT SPEC. 108-74055

APPLICATION SPEC. 114-74056

WEIGHT 0,013 KG

SCALE A2

DRAWING NO. 1103401

RESTRICTED TO NUR FÜR

CUSTOMER DRAWING / KUNDENZEICHNUNG

SCALE 1:1

SHEET 1 OF 1

REV. C1

tyco Electronics

Tyco Electronics AMP GmbH
D - 53819 Neunkirchen

OBSOLETE
NOT the LATEST REVISION