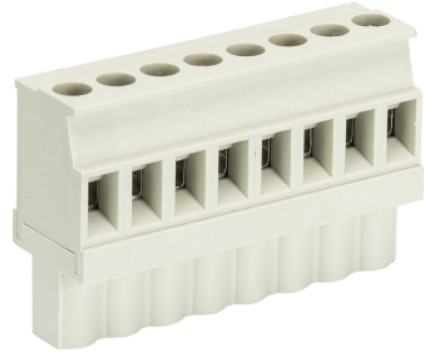


Data sheet

Commercial Art.No.: 25.346.3353.0

PCB connector 8213 B / 3 VL OB

PCB female connector with screw connection with rising cage clamp system, 3 poles, max. cross section: 2.5 mm², pitch: 5.08 mm, type of packing: carton, color: grey



| | |
|--------------------|---------------|
| Commercial Art.No. | 25.346.3353.0 |
| EAN | 4015573192027 |
| Order Unit | 100 |

Certificates / Approvals



Technical data

General

| | |
|------------------------------------|------------------|
| Modular spacing | 5.08 mm |
| Connection type | screw connection |
| Soldering process | None |
| Packaging | Carton |
| Number of poles | 3 |
| Marking | No |
| Fastening | None |
| Mating direction towards connector | 90° |

Technical data

| | |
|--------------------------|---------------------|
| Nominal cross section | 2.5 mm ² |
| Rated current | 12 A |
| Overvoltage Category I | 1000 V |
| Overvoltage Category II | 400 V |
| Overvoltage Category III | 250 V |
| Rated impulse voltage | 4 kV |
| Wire strip length | 6 mm |

Connection Data

| | |
|-------------------------------------|----------------------|
| Minimum cross section solid | 0.14 mm ² |
| Maximum cross section solid | 2.5 mm ² |
| Minimum cross section fine stranded | 0.14 mm ² |
| Maximum cross section fine stranded | 2.5 mm ² |
| Wire strip length | 6 mm |

Technical Data UL/CSA

| | |
|------------------------|-----------|
| Cross section UL | 22-12 AWG |
| Voltage UL | 300 V |
| Current field wiring | 15 A |
| Current factory wiring | 15 A |
| Cross section CSA | 22-12 AWG |
| Voltage CSA | 300 V |
| Current CSA | 15 A |

Other

| | |
|-----------------------------|---------------|
| Type of insulation material | Thermoplastic |
| Color | Grey |
| Height | 26 mm |
| Length | 15.24 mm |
| Depth | 12.6 mm |
| Material attachment screw | CuSn/Steel |
| Material contact base | CuSn |
| Material contact surface | Sn |

Classification

| | |
|------------|----------|
| ECLASS 11 | |
| ECLASS 8.1 | 27440402 |
| ETIM 7.0 | EC002637 |
| ETIM 6.0 | EC002637 |
| ETIM 5.0 | EC002637 |
| ETIM 4.0 | EC002637 |

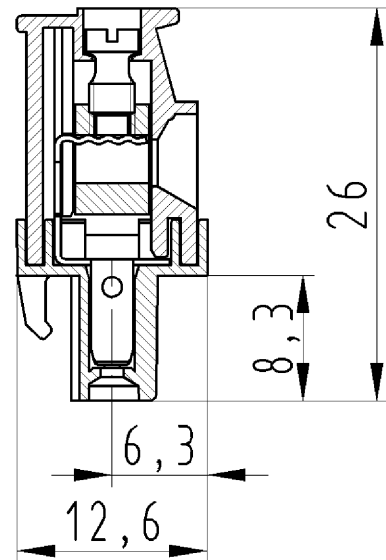
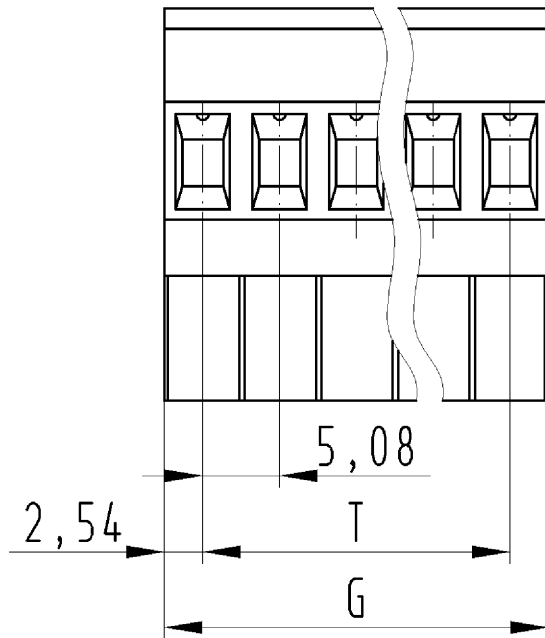
Product compliance

| | |
|------------------------------|--------------------|
| ROHS conformity status | Compliant/Exempted |
| ROHS exceptions | III-6(c) |
| REACH-SVHC conformity status | Duty-To-Declare |
| REACH-SVHC substances | Lead |
| REACH-SVHC CAS numbers | 7439-92-1 |

Fits with

| Commercial Art.No.: | Article-type description: | Description: |
|---------------------|------------------------------------|--|
| 25.352.3353.0 | PCB pin header 8213 S / 3 W OB | PCB pin header, connection method depends on used socket part , 3 poles, pitch: 5.08 mm, type of packing: carton, color: grey |
| 25.350.3353.0 | PCB pin header 8213 S / 3 G OB | PCB pin header, connection method depends on used socket part , 3 poles, pitch: 5.08 mm, type of packing: carton, color: grey |
| 99.203.9996.2 | PCB pin header 8213 S / 3 W OB OF | PCB pin header, connection method depends on used socket part , 3 poles, pitch: 5.08 mm, type of packing: carton, color: white |
| 99.233.9996.1 | PCB pin header 8213 S / 3 G OB OF | PCB pin header, connection method depends on used socket part , 3 poles, pitch: 5.08 mm, type of packing: carton, color: black |
| 25.396.3353.0 | PCB pin header 8213 S / 3 S OB | PCB pin header, connection method depends on used socket part , 3 poles, pitch: 5.08 mm, type of packing: carton, color: grey |
| 27.356.0353.0 | PCB pin header 8213 SEG/ 3/ 6 W OB | PCB pin header, 3 poles, pitch: 5.08 mm, type of packing: carton, color: grey |
| 25.356.3353.0 | PCB pin header 8213 SE / 3 W OB | PCB pin header, connection method depends on used socket part , 3 poles, pitch: 5.08 mm, type of packing: carton, color: grey |

| | | |
|---------------|---------------------------------------|---|
| 25.354.3353.0 | PCB pin header 8213 S E / 3 G OB | PCB pin header, connection method depends on used socket part , 3 poles, pitch: 5.08 mm, type of packing: carton, color: grey |
| 26.350.3306.0 | PCB pin header 8213 S / 3 G OF OB THR | PCB pin header, connection method depends on used socket part , 3 poles, with solder pin (2.6mm, tin plated), pitch: 5.08 mm, type of packing: carton, color: black, This product can be soldered by reflow and wave soldering, |
| 25.350.3306.0 | PCB pin header 8213 S / 3 G OB THR | PCB pin header, connection method depends on used socket part , 3 poles, with solder pin (2.6mm, tin plated), pitch: 5.08 mm, type of packing: carton, color: black, This product can be soldered by reflow and wave soldering, |
| 25.352.3306.0 | PCB pin header 8213 S / 3 W OB THR | PCB pin header, connection method depends on used socket part , 3 poles, with solder pin (2.6mm, tin plated), pitch: 5.08 mm, type of packing: carton, color: black, This product can be soldered by reflow and wave soldering, |



für folgende Tabellen-Zchnng.:
 25.346.5453.F 8213 B/...VL OB

LP. STECKKLEMME
 25.346.3253.0 10W
 30.10.2007 DÜT
 M 2:1