

Data sheet

Commercial Art.No.: 96.233.3004.0

Cable assembly RST20i3K1-S 25P 30GL

RST20i3 connection cable male - free end, 3 pole, assembled with shrinkage tube, application 250V with PE, 20A, cable type H05VV-F, length 3.0m, cross section 2.5mm², coding color light grey



Commercial Art.No.	96.233.3004.0
EAN	4015573760479
Order Unit	1

Certificates / Approvals



Technical data

General

Rated current	20 A
Rated voltage	250 V
Rated impulse voltage	4 kV
Pollution degree	3
Lockable	self-locking (unlocking by tool)
Color of coding/ contact carrier	light grey
Marking of poles	L, N, PE
Color of housing inclusive strain relief	light grey

Model

type of construction	Shrinkage tube
Connection type	Crimp
Nominal cross section conductor	2.5 mm ²
Degree of protection (IP)	IP66/68 (3m;2h)
Wire strip length	9 mm
sheath strip length	35 mm
Preparation of conductor ends	ultrasonically compressed wire ends
Cable type	H05VV-F
Cable color	black
Cable diameter min.	9.7 mm
Cable diameter max.	10.1 mm
Version of cable	male - free end
Type of cord set	connection cable

Version cable end 1	free end
Version cable end 2	male
Shielded	No

Material

Surface finish	Silver-plated
halogen free	No
Continuous temperature of cable	70 °C
Insulation components continuous temperature	100 °C
Fire load	1.805 kWh
Fire class	Eca

Dimensions

Total length	3 m
--------------	-----

Classification

ECLASS 11	
ECLASS 8.1	27440604
ETIM 7.0	EC002587
ETIM 6.0	EC002587
ETIM 5.0	EC002587
ETIM 4.0	EC002587

Note

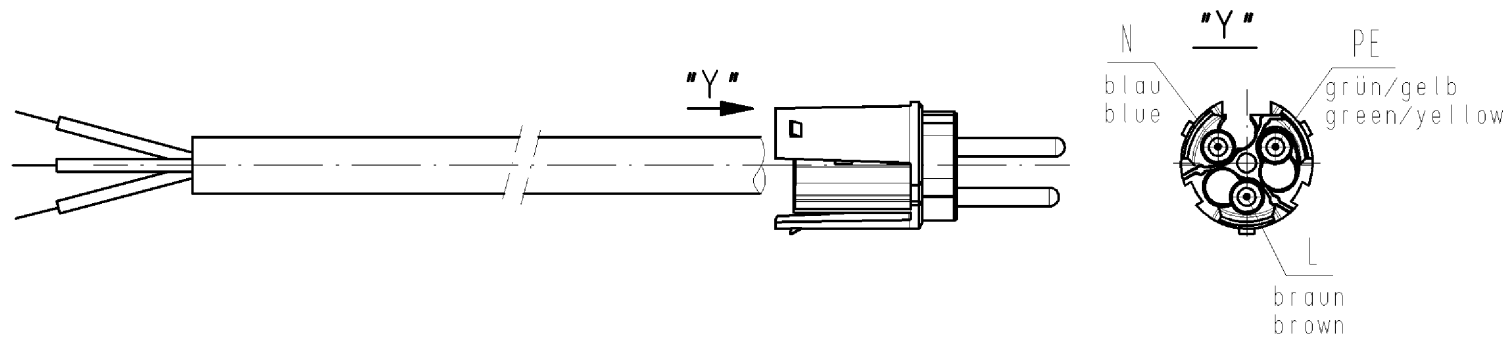
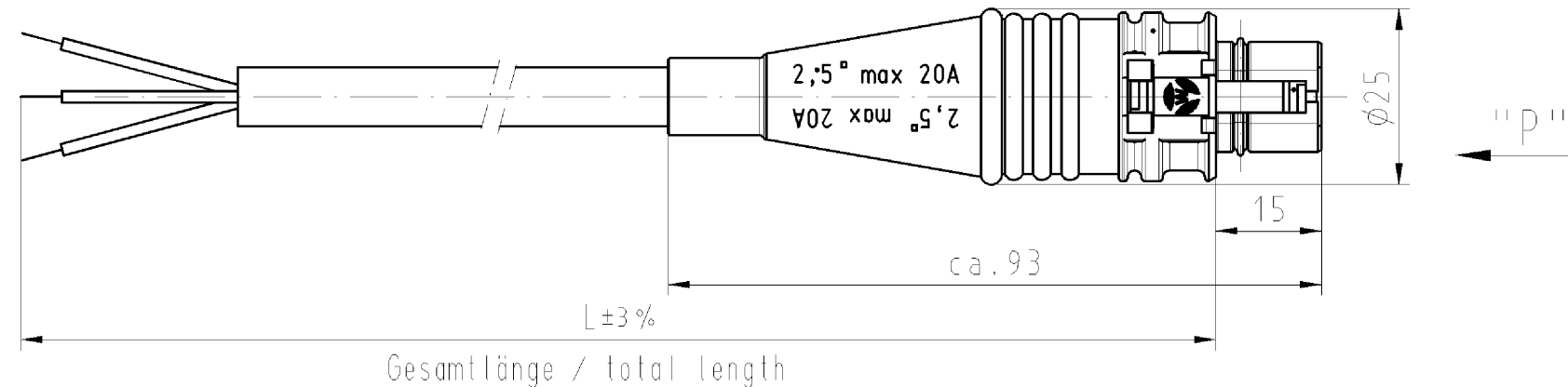
Note	The total length may vary up to + / - 3 %.
------	--


Product compliance

ROHS conformity status	Compliant/Exempted
ROHS exceptions	III-6(c)
REACH-SVHC conformity status	Duty-To-Declare
REACH-SVHC substances	Lead
REACH-SVHC CAS numbers	7439-92-1

These dimensions will be especially checked at delivery
Only inspection dimensions
With /E marked dimensions are only valid for internal use

Diese Maße werden bei Abnahme besonders geprüft
Ausschließlich Prüfmaße
Mit /E gekennzeichnete Maße sind nur für interne Zwecke gültig



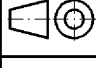



.F	Farbe colour	Codierung "p"
.0	lichtgrau light grey	PE 
.1	schwarz black	

Weitergabe sowie Vervielfältigung dieses Dokuments, Verstoß gegen die Rechte des Erfinders, ist ausdrücklich untersagt. Die Reproduktion, Distribution und Nutzung dieses Dokuments ist ohne schriftliche Genehmigung der Wieland-Werke AG. The reproduction, distribution and utilization of this document as well as the communication of its contents to others without express authorization is prohibited.

Weitere Daten siehe Katalog
further data see catalog

Typ/type: RST2013K1-S 25P .. GL = lichtgrau/light grey
SW = schwarz/black

Teile - Nr. part - no.	L	Beispiel (Farbe: schwarz) exampel (colour: black)	Typ type
96.233.XX04.F	XX in dm-Schritten	96.233.1004.1 = 10dm/L= 1000mm	RST2013K1-S 25P 10SW
U6.233.XX04.F	XX in m-Schritten	U6.233.1204.1 = 12 m/L=12000mm	RST2013K1-S 25P X12SW

Tolerierung nach DIN 7167/Tolerance system acc. to DIN 7167. (This DIN-standard describes the envelope principle. According to the envelope principle the deviations of form and parallelism are limited by the size tolerances).		ja/yes <input checked="" type="checkbox"/> Stoffverbots- und Deklarationsliste nach UU-TQM-05/03 ist einzuhalten. Conformity with Wieland document UU-TQM-05/03 (list of prohibited / declarable hazardous substances) to be declared!	
Freitoleranz nach General tolerance		CAD - Zeichnung, keine manuellen Änderungen CAD - drawing, no manual modifications allowed	1. Verwendung: First Use: -
Blatt: 1 von 1 Sheet: of 1		Zeichnung Nr./Drawing No. Index	
/ 		Werkstoff/Material	2006 Tag/Date Name
/ 			gezeichnet drawn 28.03. Schmitt J.
/ Maßstab/Scale			geprüft checked - -
/ %			Normgepr. Stand. check - -
/ Vol. mm ³ Öl./Surf. mm ²		Ersatz für/Replacement for: -	
/ 		Type	Benennung/Title
/ 		KONFEKT_LEITUNG	
Index Datum / Blatt Date / Sheet		Stecker-freies Ende / male-free end pre-assembled cable	
Änderung/Revision		Elektrische Verbindungen	

962330404001K_4_CADW1042_Schmitt 2006-03-30T14:16:09 1.000

1

2

3

4

5

6

7

8

9

10

11

12

13

14

15

16

17

18

19

20

M1

M2

M3

L

G

i

11.1

12.1

1.1

1.1

1.1

1.1

1.1

1.1

1.1

1.1

1.1

1.1

1.1

1.1

1.1

1.1

1.1

1.1

1.1

1.1

1.1

1.1

1.1

1.1